

**Qty. Description**

1 **Product name:** Flanges, threaded



**Note! Product picture may differ from actual product**

Product No.: On request

Product No: On request

EAN number: On request

**Materials:**

Basic: Chromium-nickel steel  
DIN W.-Nr. 1.4571

**Installation:**

Flange standard: DIN

Pipework connection: DN 50

Pressure rating: PN 10

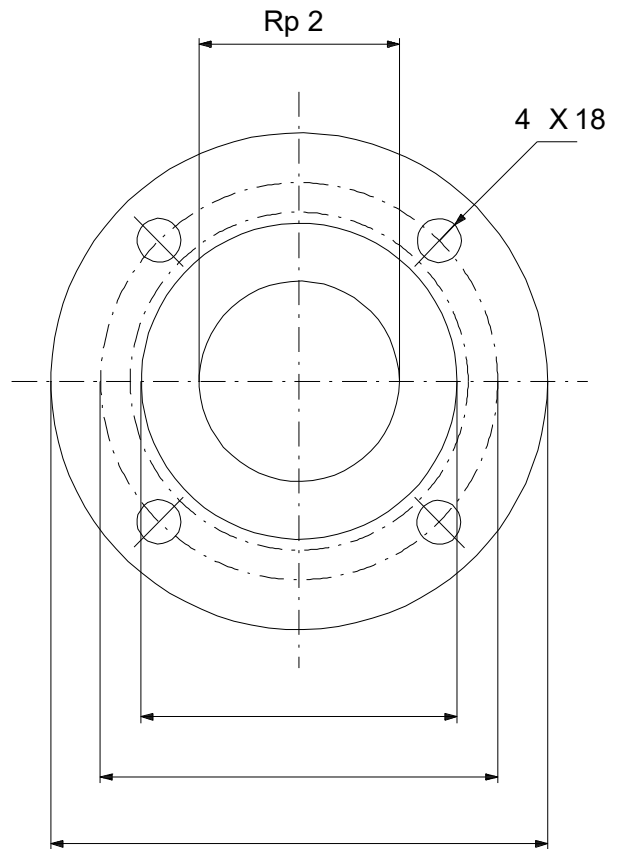
**Others:**

Standard: DIN 2566

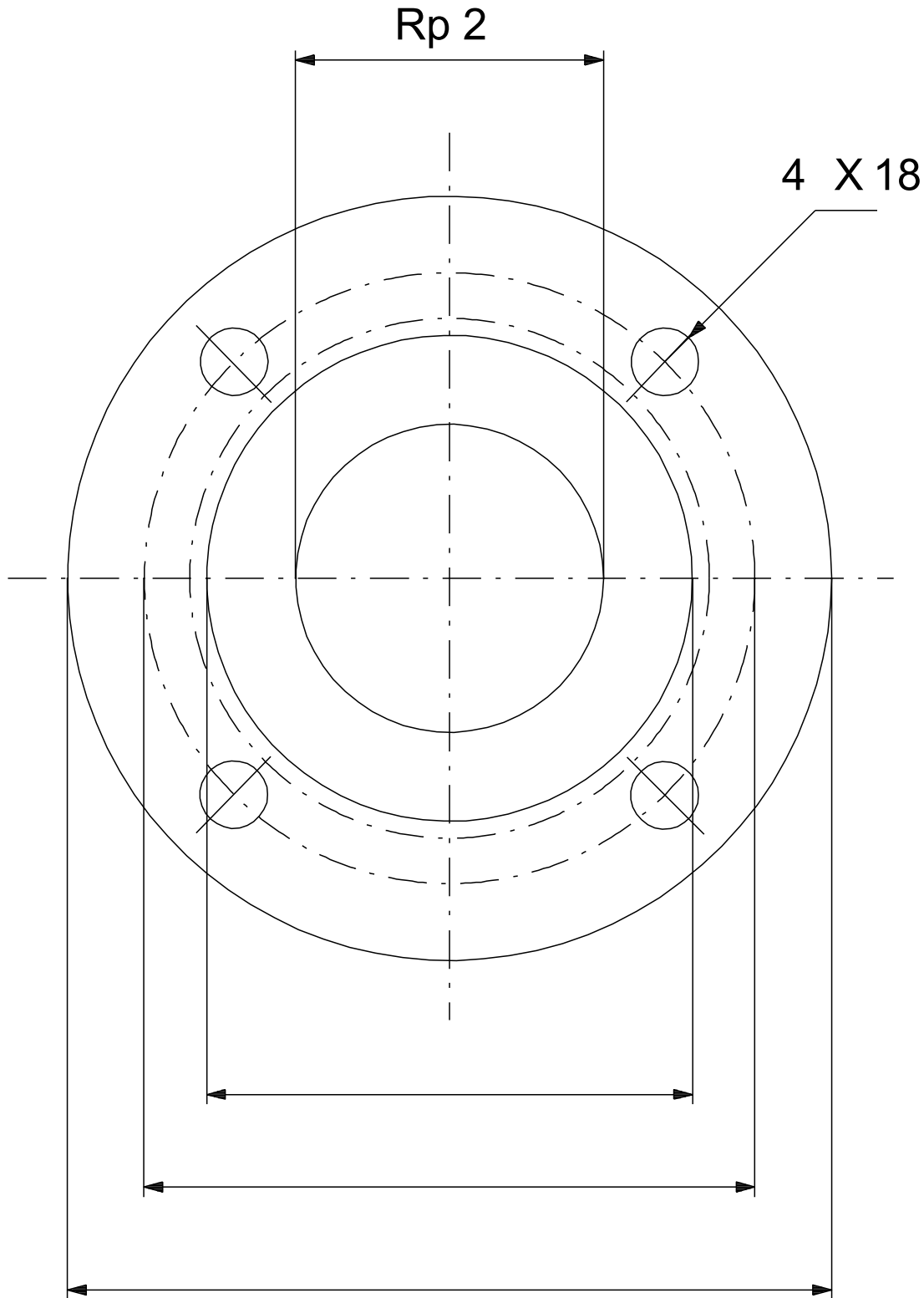
Country of origin: DE

Custom tariff no.: 73072100

Description	Value
<b>General information:</b>	
Product name:	Flanges, threaded
Product No:	On request
EAN number:	On request
<b>Materials:</b>	
Basic:	Chromium-nickel steel
Basic:	DIN W.-Nr. 1.4571
<b>Installation:</b>	
Flange standard:	DIN
Pipework connection:	DN 50
Pressure rating:	PN 10
<b>Others:</b>	
Standard:	DIN 2566
Sales region:	D
Country of origin:	DE
Custom tariff no.:	73072100



**On request Flanges, threaded**



Note! All units are in [mm] unless others are stated.  
Disclaimer: This simplified dimensional drawing does not show all details.

