

Qty. Description

1 **Product name:** Flanges, threaded



Note! Product picture may differ from actual product

Product No.: On request

Product No: On request

EAN number: On request

Materials:

Basic: Chromium-nickel steel
DIN W.-Nr. 1.4571

Installation:

Flange standard: DIN

Pipework connection: DN 65

Pressure rating: PN 10

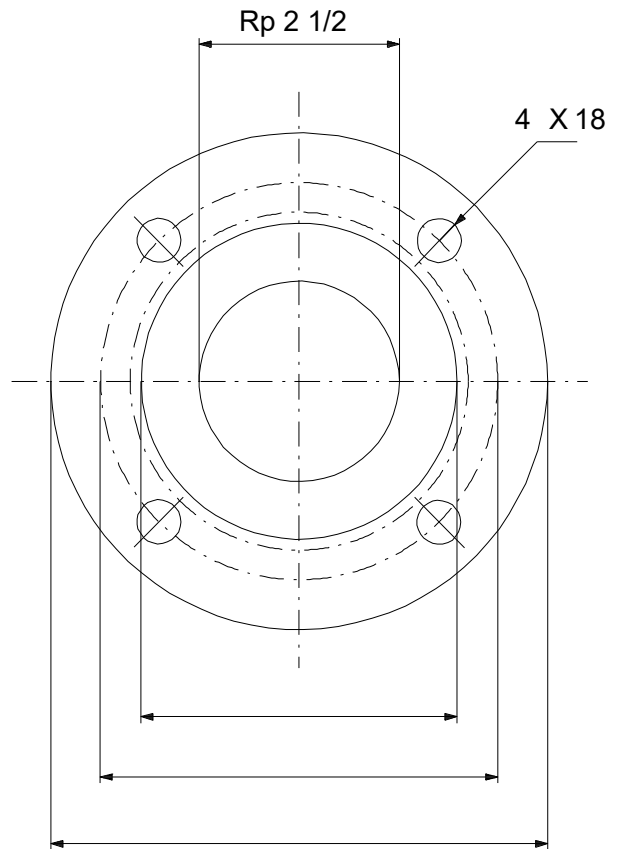
Others:

Standard: DIN 2566

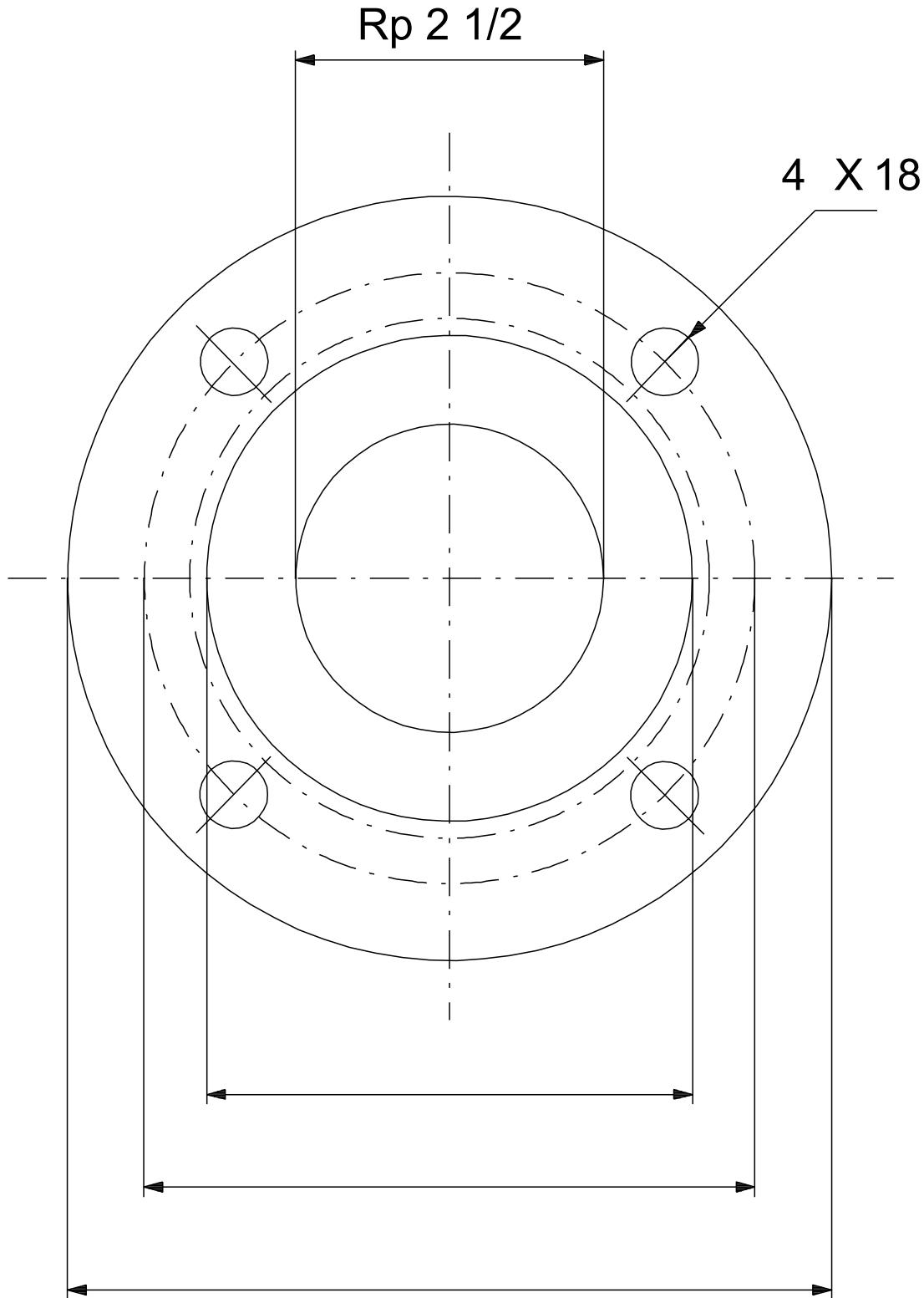
Country of origin: DE

Custom tariff no.: 73072100

Description	Value
General information:	
Product name:	Flanges, threaded
Product No:	On request
EAN number:	On request
Materials:	
Basic:	Chromium-nickel steel
Basic:	DIN W.-Nr. 1.4571
Installation:	
Flange standard:	DIN
Pipework connection:	DN 65
Pressure rating:	PN 10
Others:	
Standard:	DIN 2566
Sales region:	D
Country of origin:	DE
Custom tariff no.:	73072100



On request Flanges, threaded



Note! All units are in [mm] unless others are stated.
Disclaimer: This simplified dimensional drawing does not show all details.

