

Qty. Description

1 **Product name:** Adapter 3"R - PN 40



Note! Product picture may differ from actual product

Product No.: On request

Product No: On request

EAN number: On request

Materials:

Material: Stainless steel
EN 1.4308
AISI 304

Installation:

Maximum operating pressure: PN 40 bar

Type of connection: R
DIN

Pipework connection: DN 100

Size of connection: 3 inch

Flange standard: DIN EN 1092-1

Pressure rating for connection: PN 40

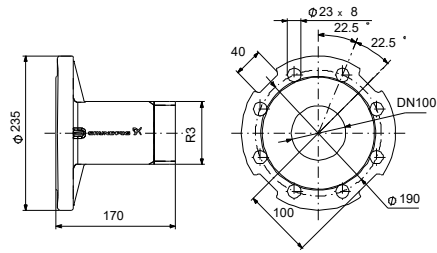
Adapter extension length: 170 mm

Others:

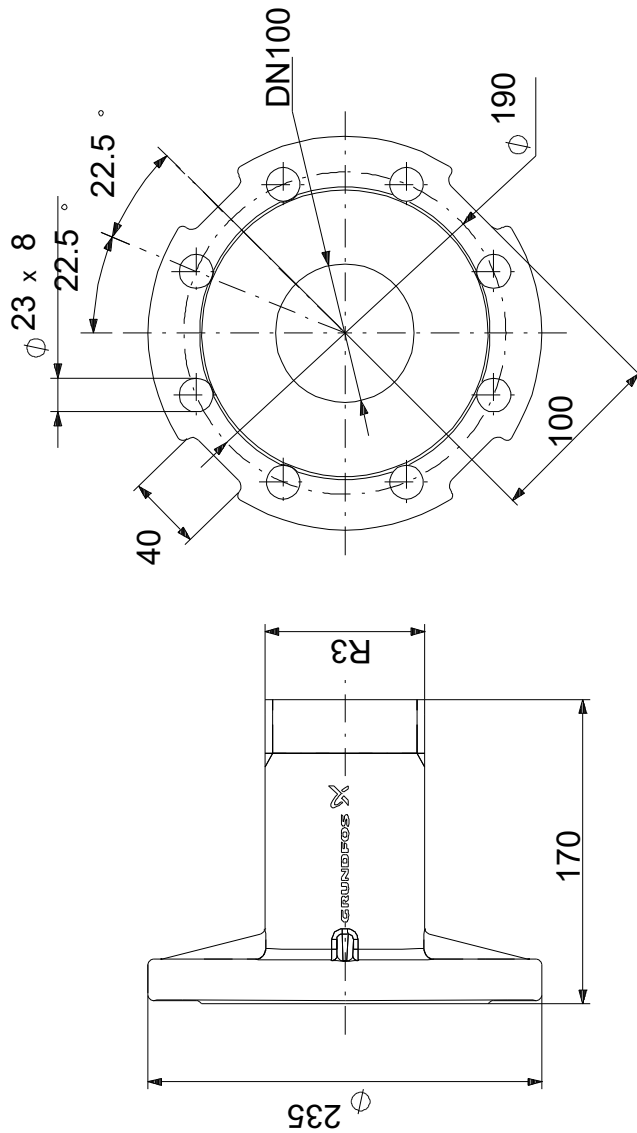
Gross weight: 8.15 kg

Shipping volume: 0.009 m³

Description	Value
General information:	
Product name:	Adapter 3"R - PN 40
Product No:	On request
EAN number:	On request
Materials:	
Material:	Stainless steel
Material:	EN 1.4308
Material:	AISI 304
Installation:	
Maximum operating pressure:	PN 40 bar
Type of connection:	R
Type of connection:	DIN
Pipework connection:	DN 100
Size of connection:	3 inch
Flange standard:	DIN EN 1092-1
Pressure rating for connection:	PN 40
Adapter extension length:	170 mm
Others:	
Gross weight:	8.15 kg
Shipping volume:	0.009 m ³



On request Adapter 3"R - PN 40



Note! All units are in [mm] unless others are stated.
Disclaimer: This simplified dimensional drawing does not show all details.

