

**Qty. Description**

1 **Product name:** Adapter 5"R - PN 40



**Note!** Product picture may differ from actual product

Product No.: On request

Product No: On request

EAN number: On request

**Materials:**

Material: Stainless steel  
EN 1.4308  
AISI 304

**Installation:**

Maximum operating pressure: PN 40 bar

Type of connection: R  
DIN

Pipework connection: DN 100

Size of connection: 5 inch

Flange standard: DIN EN 1092-1

Pressure rating for connection: PN 40

Adapter extension length: 195 mm

**Others:**

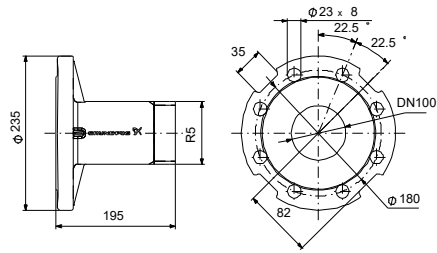
Gross weight: 8.26 kg

Shipping volume: 0.011 m<sup>3</sup>

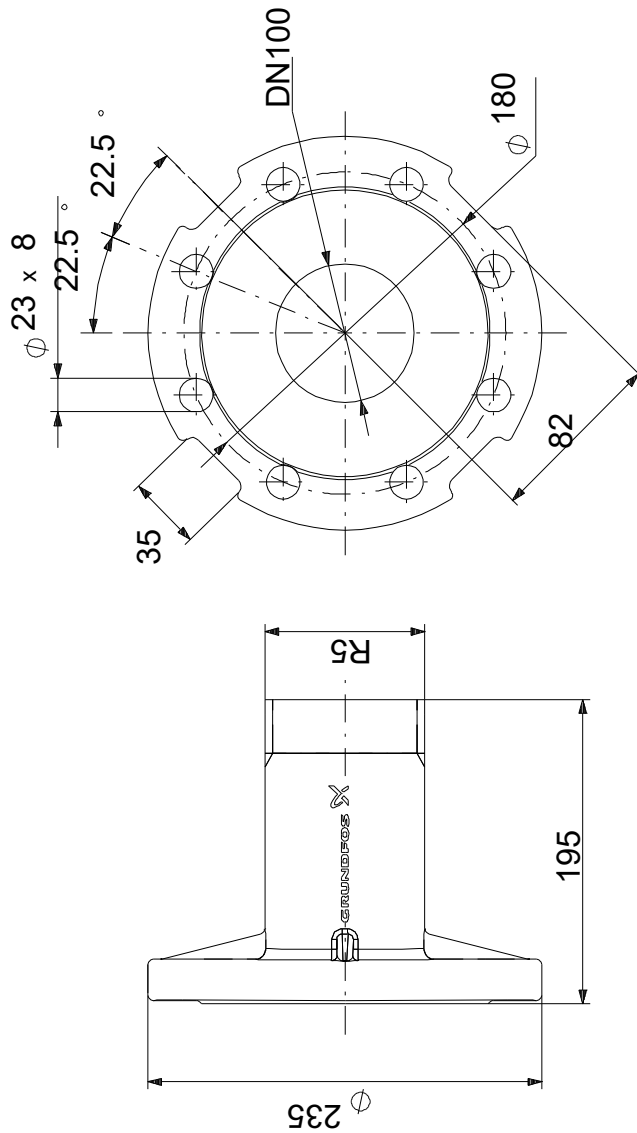
Country of origin: CN

Custom tariff no.: 73072910

Description	Value
<b>General information:</b>	
Product name:	Adapter 5"R - PN 40
Product No:	On request
EAN number:	On request
<b>Materials:</b>	
Material:	Stainless steel
Material:	EN 1.4308
Material:	AISI 304
<b>Installation:</b>	
Maximum operating pressure:	PN 40 bar
Type of connection:	R
Type of connection:	DIN
Pipework connection:	DN 100
Size of connection:	5 inch
Flange standard:	DIN EN 1092-1
Pressure rating for connection:	PN 40
Adapter extension length:	195 mm
<b>Others:</b>	
Gross weight:	8.26 kg
Shipping volume:	0.011 m <sup>3</sup>
Country of origin:	CN
Custom tariff no.:	73072910



## On request Adapter 5"R - PN 40



Note! All units are in [mm] unless others are stated.  
Disclaimer: This simplified dimensional drawing does not show all details.

