

**Qty. Description**

1 **Product name:** PJE coupling complete with threaded pipe stub



**Note!** Product picture may differ from actual product

Product No.: On request

Product No: On request

EAN number: On request

**Materials:**

Basic: Stainless steel  
EN 1.4401

AISI 316

Rubber: EPDM

**Installation:**

Flange standard: PJE

Pipework connection: R 2

Pressure rating: PN 80

**Others:**

Net weight: 1.46 kg

Gross weight: 1.47 kg

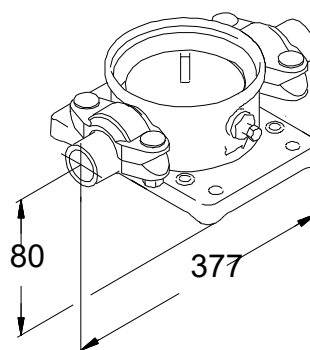
Fits to following products: CRN 10/15/20

Danish VVS No.: 385762812

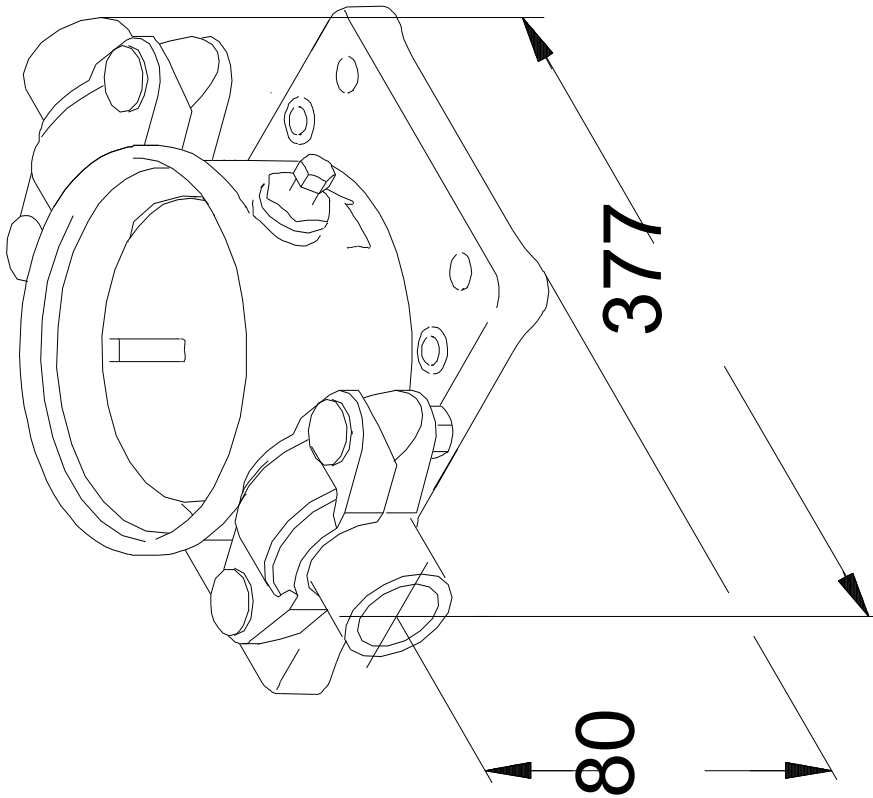
Country of origin: DK

Custom tariff no.: 73071190

Description	Value
<b>General information:</b>	
Product name:	PJE coupling complete with threaded pipe stub
Product No:	On request
EAN number:	On request
<b>Materials:</b>	
Basic:	Stainless steel
Basic:	EN 1.4401
Basic:	AISI 316
Rubber:	EPDM
<b>Installation:</b>	
Flange standard:	PJE
Pipework connection:	R 2
Pressure rating:	PN 80
<b>Others:</b>	
Net weight:	1.46 kg
Gross weight:	1.47 kg
Fits to following products:	CRN 10/15/20
Danish VVS No.:	385762812
Country of origin:	DK
Custom tariff no.:	73071190



**On request PJE coupling complete with threaded pipe stub**



Note! All units are in [mm] unless others are stated.  
Disclaimer: This simplified dimensional drawing does not show all details.

