

Qty. Description

1 **Product name:** PJE coupling complete with threaded pipe stub



Note! Product picture may differ from actual product

Product No.: On request

Product No: On request

EAN number: On request

Materials:

Basic: Stainless steel
EN 1.4401

AISI 316

Rubber: FKM

Installation:

Flange standard: PJE

Pipework connection: 60,3 / R 2

Pressure rating: PN 70

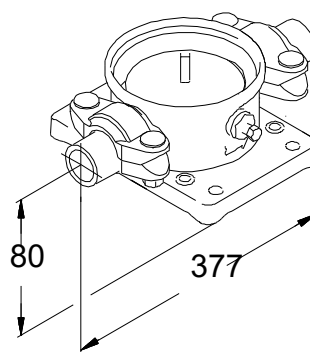
Others:

Fits to following products: CM/E 15, 25

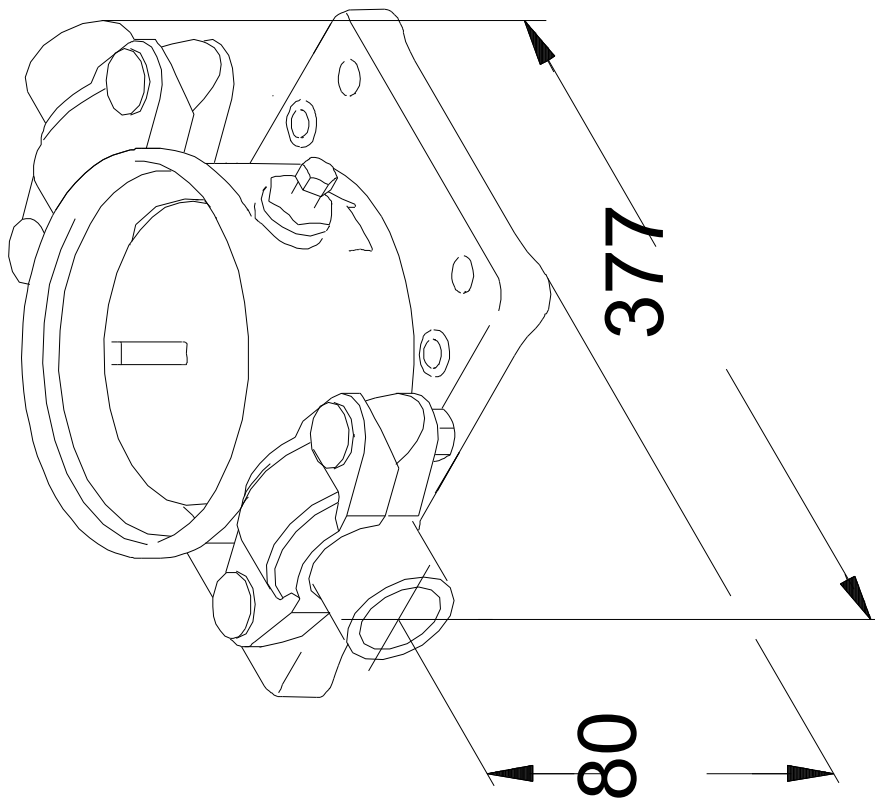
Country of origin: DK

Custom tariff no.: 73071190

Description	Value
General information:	
Product name:	PJE coupling complete with threaded pipe stub
Product No:	On request
EAN number:	On request
Materials:	
Basic:	Stainless steel
Basic:	EN 1.4401
Basic:	AISI 316
Rubber:	FKM
Installation:	
Flange standard:	PJE
Pipework connection:	60,3 / R 2
Pressure rating:	PN 70
Others:	
Fits to following products:	CM/E 15, 25
Country of origin:	DK
Custom tariff no.:	73071190



On request PJE coupling complete with threaded pipe stub



Note! All units are in [mm] unless others are stated.
Disclaimer: This simplified dimensional drawing does not show all details.

