

**Qty. Description**

1 **Product name:** PJE coupling complete with threaded pipe stub



**Note! Product picture may differ from actual product**

Product No.: On request

Product No: On request

EAN number: On request

**Materials:**

Basic: Stainless steel  
EN 1.4401

AISI 316

Rubber: FKM

**Installation:**

Flange standard: PJE

Pipework connection: 42,4 / R 1 1/4

Pressure rating: PN 80

**Others:**

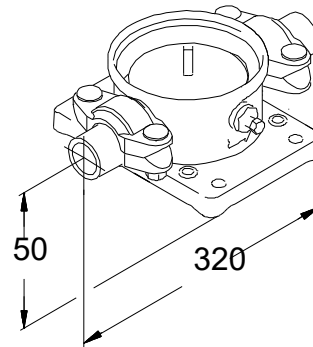
Fits to following products: CM/E 5

Danish VVS No.: 385723821

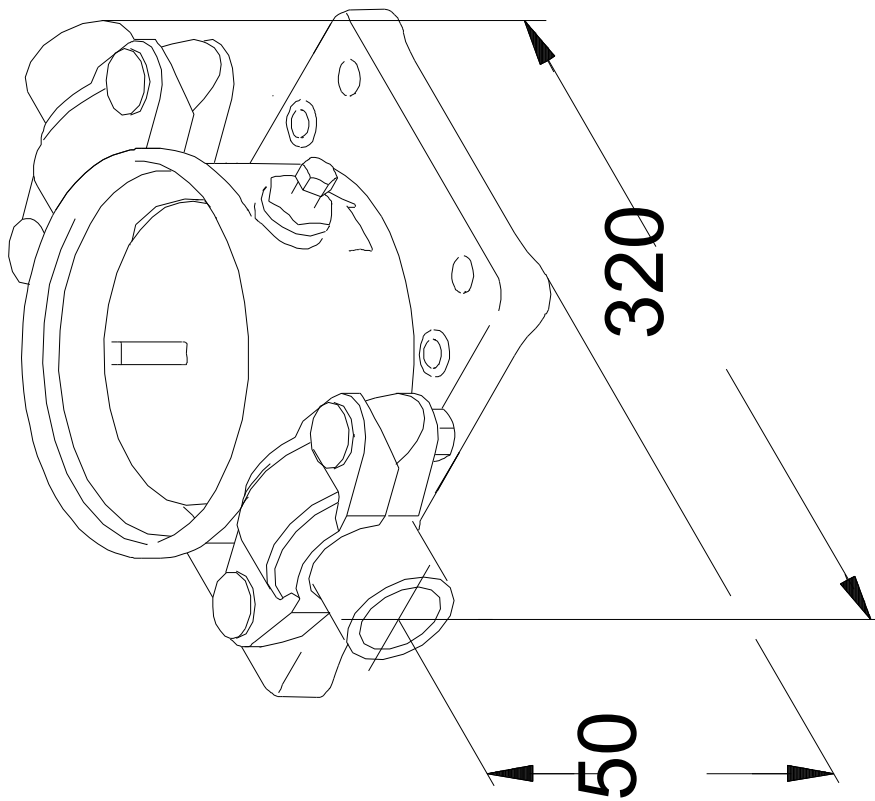
Country of origin: DK

Custom tariff no.: 73071190

Description	Value
<b>General information:</b>	
Product name:	PJE coupling complete with threaded pipe stub
Product No:	On request
EAN number:	On request
<b>Materials:</b>	
Basic:	Stainless steel
Basic:	EN 1.4401
Basic:	AISI 316
Rubber:	FKM
<b>Installation:</b>	
Flange standard:	PJE
Pipework connection:	42,4 / R 1 1/4
Pressure rating:	PN 80
<b>Others:</b>	
Fits to following products:	CM/E 5
Danish VVS No.:	385723821
Country of origin:	DK
Custom tariff no.:	73071190



**On request PJE coupling complete with threaded pipe stub**



Note! All units are in [mm] unless others are stated.  
Disclaimer: This simplified dimensional drawing does not show all details.

