

Qty. Description

1 **Product name:** Flanges, threaded



Note! Product picture may differ from actual product

Product No.: On request

Product No: On request

EAN number: On request

Materials:

Basic: Carbon steel

Installation:

Flange standard: DIN

Pipework connection: DN 40 / Rp 1 1/2

Pressure rating: PN 10/16

Number of flanges: 2

Number of gaskets: 2

Number of nuts: 8

Number of screws: 8

Others:

Standard: ISO 7005-1

Fits to following products: UP 40-xx F

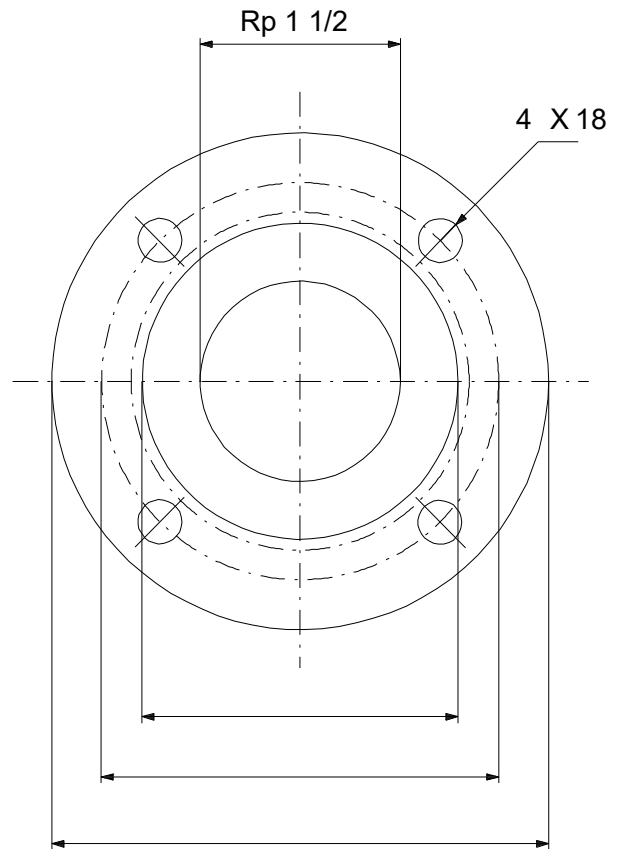
Danish VVS No.: 380799211

Norwegian NRF no.: 9040854

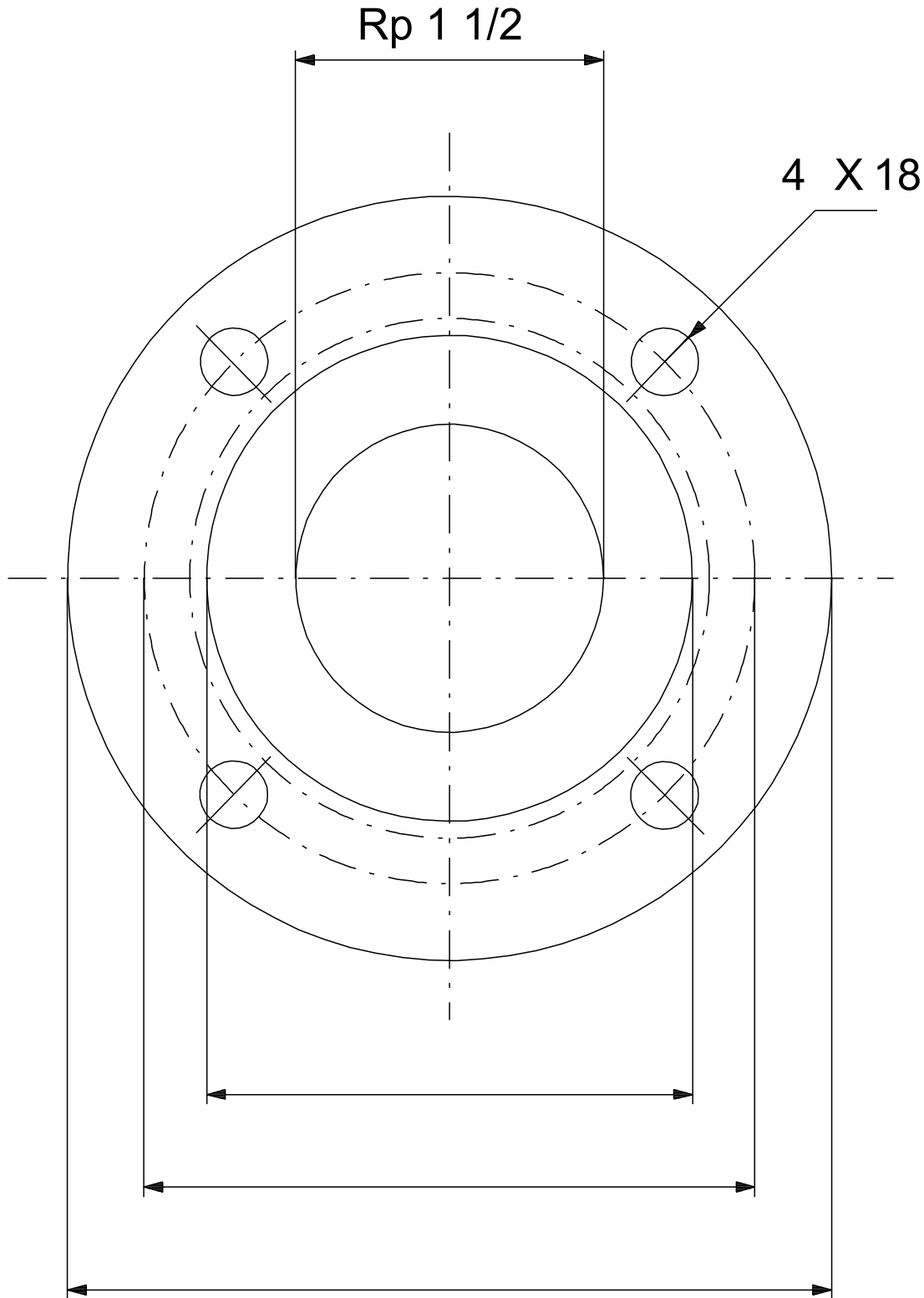
Country of origin: CN

Custom tariff no.: 73079100

Description	Value
General information:	
Product name:	Flanges, threaded
Product No:	On request
EAN number:	On request
Materials:	
Basic:	Carbon steel
Installation:	
Flange standard:	DIN
Pipework connection:	DN 40 / Rp 1 1/2
Pressure rating:	PN 10/16
Number of flanges:	2
Number of gaskets:	2
Number of nuts:	8
Number of screws:	8
Others:	
Standard:	ISO 7005-1
Fits to following products:	UP 40-xx F
Danish VVS No.:	380799211
Norwegian NRF no.:	9040854
Country of origin:	CN
Custom tariff no.:	73079100



On request Flanges, threaded



Note! All units are in [mm] unless others are stated.
Disclaimer: This simplified dimensional drawing does not show all details.

