

Qty. Description

1 NKE 150-315.2/275 AIA1F1AESBQQERW3



Note! Product picture may differ from actual product

Product No.: On request

Non-self-priming, single-stage, centrifugal pump designed according to ISO 5199 with dimensions and rated performance according to EN 733. Flanges are PN 10 with dimensions according to EN 1092-2. The pump has an axial suction port, a radial discharge port and horizontal shaft. It is of the back pull-out design enabling removal of the motor, coupling, bearing bracket and impeller without disturbing the pump housing or pipework.

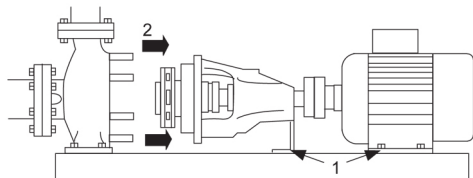
The unbalanced rubber bellows seal is according to DIN EN 12756.

The pump is fitted with a foot-mounted, fan-cooled asynchronous motor. Pump and motor are mounted on a common base frame.

Pump and motor are mounted on a common steel base frame in accordance with ISO 3661. The back pull-out design makes it possible to service the pump when the pump housing is still connected to the inlet and discharge pipes.

1) Remove the bolts in the bearing bracket support foot and motor foot.

2) Remove the bearing bracket and the motor from the pump housing.



Pump

The pump is fitted with an unbalanced rubber bellows seal with torque transmission across the spring and around the bellows. Due to the bellows, the seal does not wear the shaft, and the axial movement is not prevented by deposits on the shaft.



Seal faces:

- Rotating seal ring material: silicon carbide (SiC)
- Stationary seat material: silicon carbide (SiC)

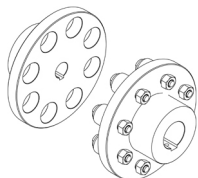
This material pairing is used where higher corrosion resistance is required. The high hardness of this material pairing offers good resistance against abrasive particles.

Secondary seal material: EPDM (ethylene-propylene rubber)

EPDM has excellent resistance to hot water. EPDM is not suitable for mineral oils.

The shaft is made of stainless steel and has a diameter of 42 mm where the coupling is mounted.

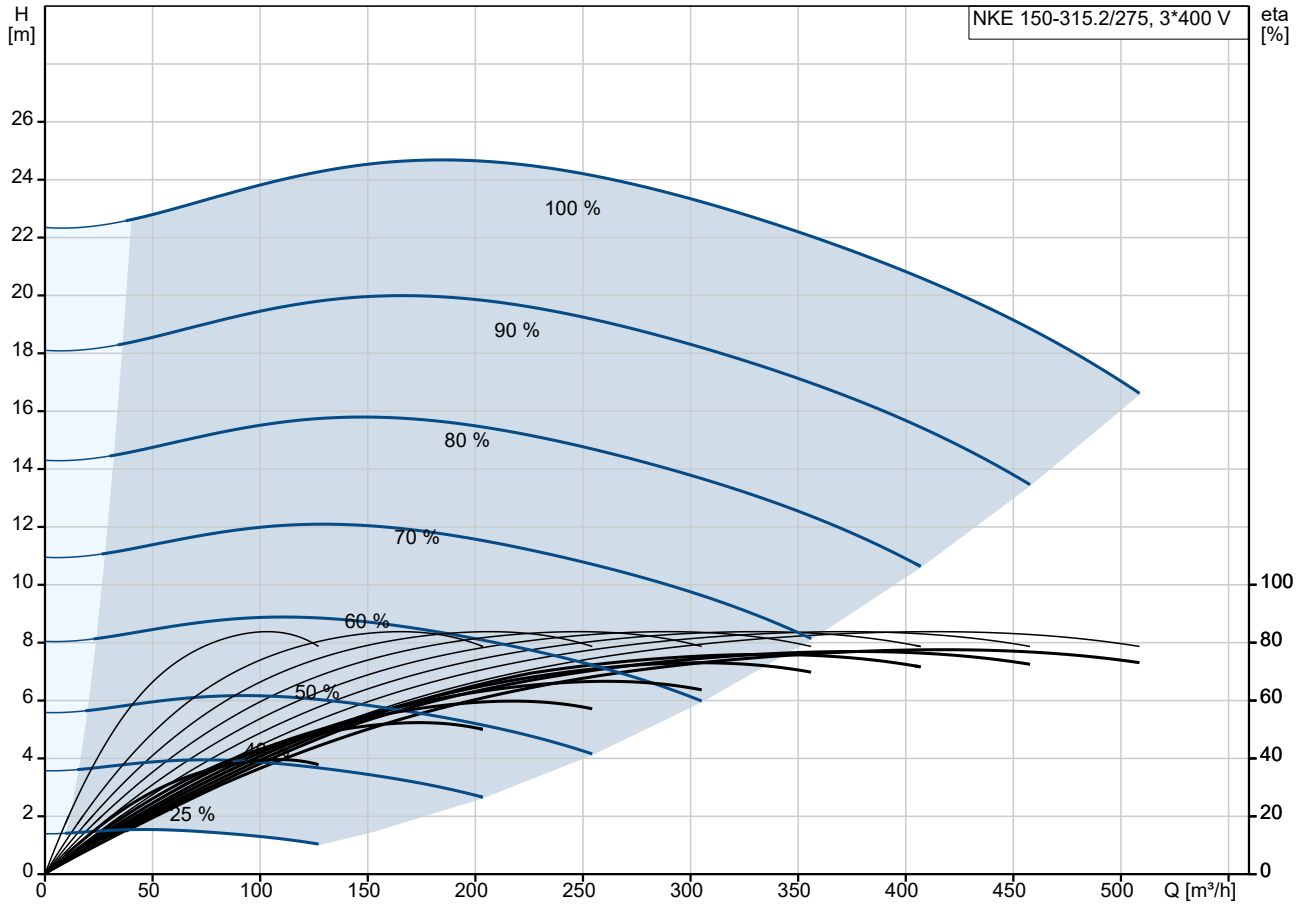
The pump uses a standard coupling between the pump and motor shaft.



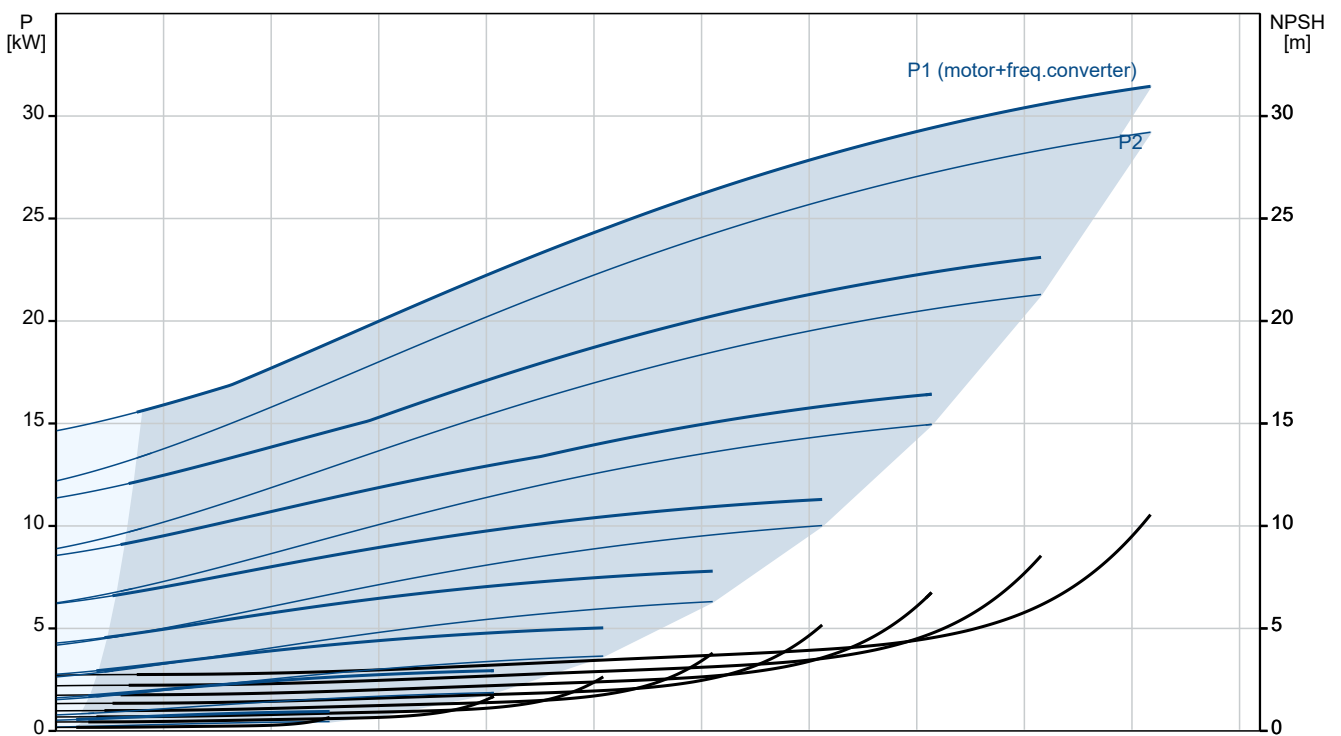
Qty.	Description
1	<p>The language on the pump nameplate is English.</p> <p>Motor</p> <p>The motor is a totally enclosed, fan-cooled motor with principal dimensions to IEC and DIN standards. Electrical tolerances comply with IEC 60034.</p> <p>The motor efficiency is classified as IE4 in accordance with IEC 60034-30-1.</p> <p>The motor has thermistors (PTC sensors) in the windings in accordance with DIN 44081/DIN 44082. The protection reacts to both slow- and quick-rising temperatures, e.g. constant overload and stalled conditions.</p> <p>Thermal switches must be connected to an external control circuit in a way which ensures that the automatic reset cannot cause accidents. The motors must be connected to a motor-protective circuit breaker according to local regulations.</p> <p>The motor requires no external motor protection. The motor control unit incorporates protection against slow- and quick-rising temperatures, e.g. constant overload and stalled conditions.</p> <p>Further product details</p> <p>Cast-iron parts have an epoxy-based coating made in a cathodic electro-deposition (CED) process. CED is a high-quality dip-painting process where an electrical field around the products ensures deposition of paint particles as a thin, well-controlled layer on the surface.</p> <p>Technical data</p> <p>Controls:</p> <p>VFD product number: 99616823</p> <p>Frequency converter: Built-in</p> <p>Type of frequency converter: CUE 3X380-500V IP55 RUG 30KW</p> <p>Appr. for VFD: CE, CULUS, C-TICK</p> <p>Pressure sensor: N</p> <p>Liquid:</p> <p>Pumped liquid: Water</p> <p>Liquid temperature range: -25 .. 120 °C</p> <p>Selected liquid temperature: 20 °C</p> <p>Density: 998.2 kg/m³</p> <p>Technical:</p> <p>Pump speed on which pump data are based: 1475 rpm</p> <p>Rated flow: 406.9 m³/h</p> <p>Pump with motor (Yes/No): Y</p> <p>Rated head: 20.59 m</p> <p>Actual impeller diameter: 275 mm</p> <p>Nominal impeller diameter: 315.2</p> <p>Code for shaft seal: BQQE</p> <p>Mechanical seal type: Single</p> <p>Curve tolerance: ISO9906:2012 3B</p> <p>Bearing design: Standard</p> <p>Materials:</p> <p>Pump housing: Cast iron EN-GJL-250 ASTM class 35</p> <p>Wear ring: Brass</p> <p>Impeller: Cast iron EN-GJL-200 ASTM class 30</p> <p>Internal pump house coating: CED</p> <p>Shaft: Stainless steel</p>

Qty.	Description
1	<p data-bbox="564 338 679 371">EN 1.4301</p> <p data-bbox="564 371 660 405">AISI 304</p> <p data-bbox="196 432 325 465">Installation:</p> <p data-bbox="196 465 691 499">Range of ambient temperature: -10 .. 50 °C</p> <p data-bbox="196 499 636 533">Maximum operating pressure: 10 bar</p> <p data-bbox="196 533 683 566">Pipe connection standard: EN 1092-2</p> <p data-bbox="196 566 608 600">Type of inlet connection: DIN</p> <p data-bbox="196 600 608 633">Type of outlet connection: DIN</p> <p data-bbox="196 633 649 667">Size of inlet connection: DN 200</p> <p data-bbox="196 667 649 701">Size of outlet connection: DN 150</p> <p data-bbox="196 701 636 734">Pressure rating for connection: PN 10</p> <p data-bbox="196 734 772 768">Coupling type: Flexible w/o spacer</p> <p data-bbox="196 768 649 801">Base frame design: EN/ISO</p> <p data-bbox="196 801 619 835">Code for base frame: 9 ST</p> <p data-bbox="196 835 584 869">Grouting (Yes/No): N</p> <p data-bbox="196 896 360 929">Electrical data:</p> <p data-bbox="196 929 676 963">Motor type: SIEMENS</p> <p data-bbox="196 963 636 996">Rated power - P2: 30 kW</p> <p data-bbox="196 996 636 1030">Mains frequency: 50 Hz</p> <p data-bbox="196 1030 847 1064">Rated voltage: 3 x 380-420D/660-725Y V</p> <p data-bbox="196 1064 691 1097">Rated current: 56.0/32.5 A</p> <p data-bbox="196 1097 636 1131">Starting current: 730 %</p> <p data-bbox="196 1131 608 1164">Cos phi - power factor: 0.81</p> <p data-bbox="196 1164 671 1198">Rated speed: 1475 rpm</p> <p data-bbox="196 1198 679 1232">IE efficiency: IE4 94,9%</p> <p data-bbox="196 1232 604 1265">IE Efficiency class: IE4</p> <p data-bbox="196 1265 644 1299">Motor efficiency at full load: 94.9 %</p> <p data-bbox="196 1299 644 1332">Motor efficiency at 3/4 load: 95.2 %</p> <p data-bbox="196 1332 644 1366">Motor efficiency at 1/2 load: 94.9 %</p> <p data-bbox="196 1366 580 1400">Number of poles: 4</p> <p data-bbox="196 1400 619 1433">Enclosure class (IEC 34-5): IP55</p> <p data-bbox="196 1433 580 1467">Insulation class (IEC 85): F</p> <p data-bbox="196 1467 676 1500">Motor No: 92691562</p> <p data-bbox="196 1500 735 1534">Bearing insulation type N-end: COATED RING</p> <p data-bbox="196 1561 284 1594">Others:</p> <p data-bbox="196 1594 636 1628">Minimum efficiency index, MEI ≥: 0.63</p> <p data-bbox="196 1628 639 1662">Net weight: 795 kg</p> <p data-bbox="196 1662 639 1695">Gross weight: 867 kg</p> <p data-bbox="196 1695 636 1729">Shipping volume: 2.8 m³</p> <p data-bbox="196 1729 604 1762">Country of origin: HU</p> <p data-bbox="196 1762 676 1796">Custom tariff no.: 84137059</p> <p data-bbox="196 1796 604 1830">Language on pump nameplate: GB</p>

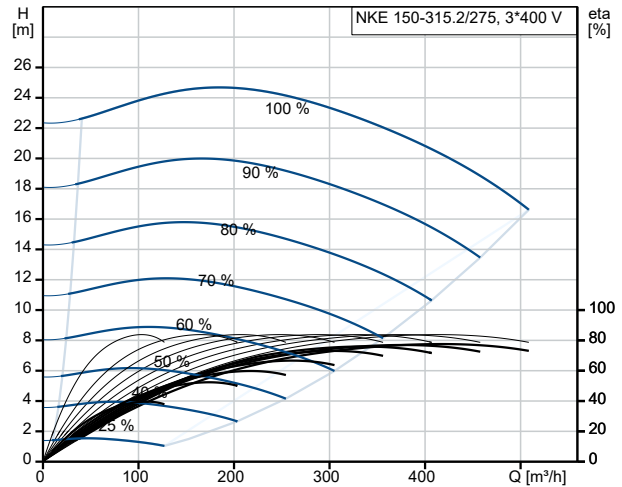
On request NKE 150-315.2/275 AIA1F1AESBQQERW3 50 Hz



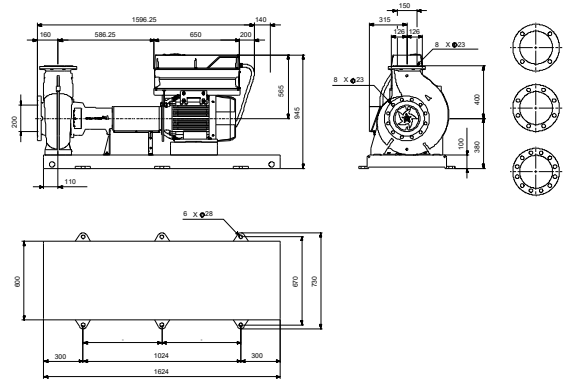
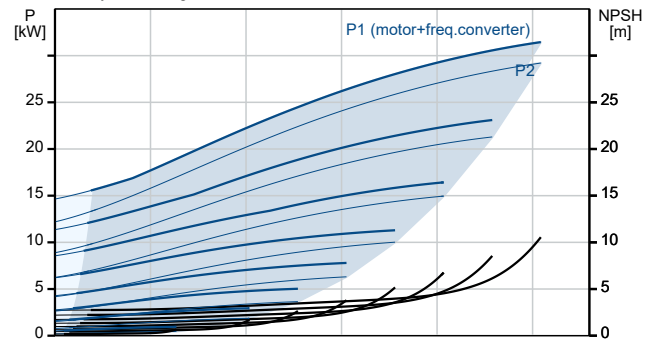
Pumped liquid = Water
 Liquid temperature during operation = 20 °C
 Density = 998.2 kg/m³



Description	Value
General information:	
Product name:	NKE 150-315.2/275 AIA1F1AESBQQERW3
Product No:	On request
EAN number:	On request
Technical:	
Pump speed on which pump data are based:	1475 rpm
Rated flow:	406.9 m ³ /h
Pump with motor (Yes/No):	Y
Rated head:	20.59 m
Actual impeller diameter:	275 mm
Nominal impeller diameter:	315.2
Shaft diameter:	42 mm
Code for shaft seal:	BQQE
Mechanical seal type:	Single
Curve tolerance:	ISO9906:2012 3B
Pump version:	A1
Bearing design:	Standard
Materials:	
Pump housing:	Cast iron
Pump housing:	EN-GJL-250
Pump housing:	ASTM class 35
Wear ring:	Brass
Impeller:	Cast iron
Impeller:	EN-GJL-200
Impeller:	ASTM class 30
Internal pump house coating:	CED
Material code:	A
Code for rubber:	E
Shaft:	Stainless steel
Shaft:	EN 1.4301
Shaft:	AISI 304
Installation:	
Range of ambient temperature:	-10 .. 50 °C
Maximum operating pressure:	10 bar
Pipe connection standard:	EN 1092-2
Type of inlet connection:	DIN
Type of outlet connection:	DIN
Size of inlet connection:	DN 200
Size of outlet connection:	DN 150
Pressure rating for connection:	PN 10
Coupling type:	Flexible w/o spacer
Base frame design:	EN/ISO
Code for base frame:	9 ST
Grouting (Yes/No):	N
Connect code:	F
Liquid:	
Pumped liquid:	Water
Liquid temperature range:	-25 .. 120 °C
Selected liquid temperature:	20 °C
Density:	998.2 kg/m ³
Electrical data:	
Motor type:	SIEMENS
Rated power - P2:	30 kW
Mains frequency:	50 Hz
Rated voltage:	3 x 380-420D/660-725Y V
Rated current:	56.0/32.5 A



Pumped liquid = Water
Liquid temperature during operation = 20 °C
Density = 998.2 kg/m³





Company name:

Created by:

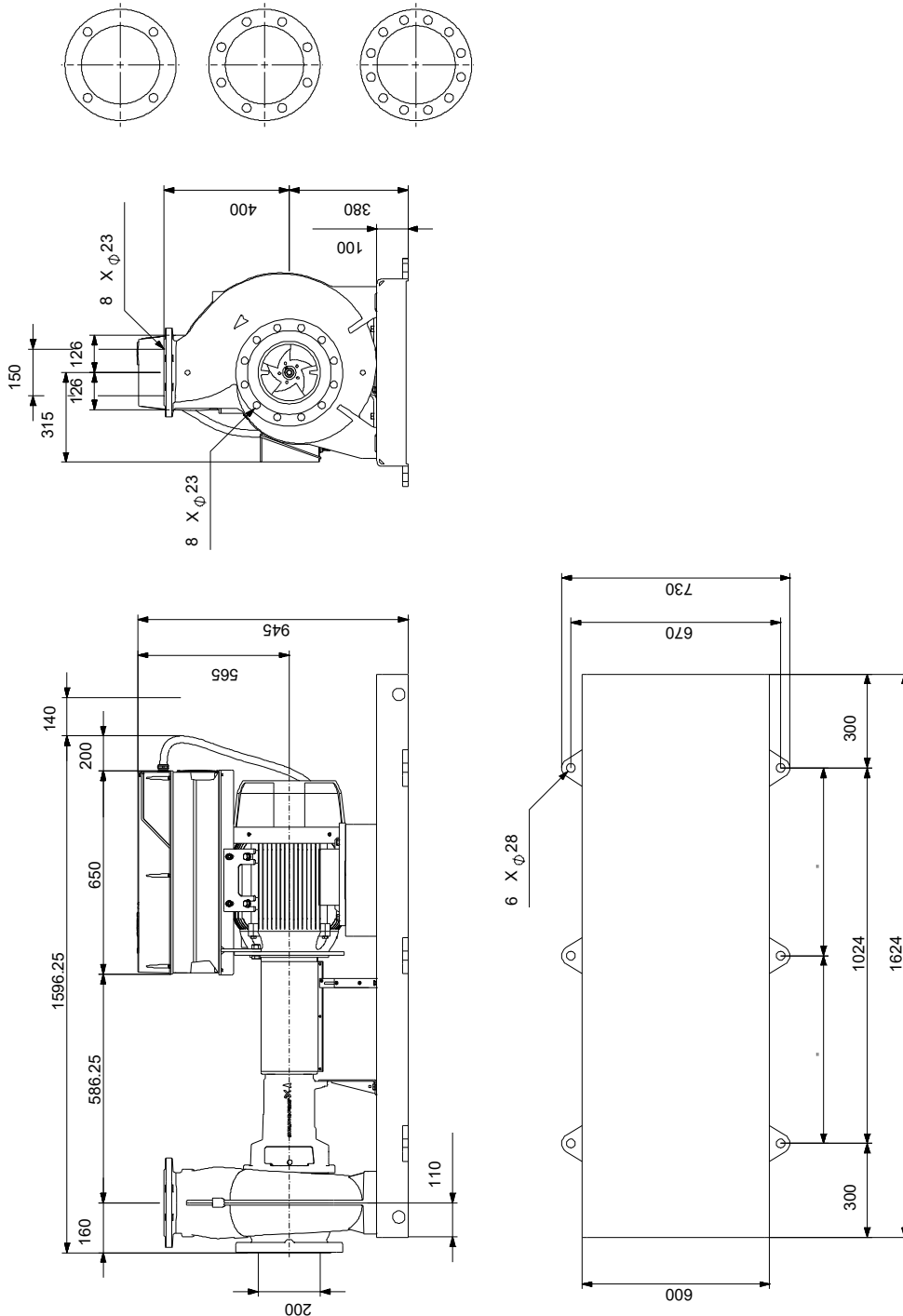
Phone:

Date:

24/10/2024

Description	Value
Starting current:	730 %
Cos phi - power factor:	0.81
Rated speed:	1475 rpm
IE efficiency:	IE4 94,9%
IE Efficiency class:	IE4
Motor efficiency at full load:	94.9 %
Motor efficiency at 3/4 load:	95.2 %
Motor efficiency at 1/2 load:	94.9 %
Number of poles:	4
Enclosure class (IEC 34-5):	IP55
Insulation class (IEC 85):	F
Built-in motor protection:	PTC
Motor No:	92691562
Bearing insulation type N-end:	COATED RING
Controls:	
VFD product number:	99616823
Frequency converter:	Built-in
Type of frequency converter:	CUE 3X380-500V IP55 RUG 30KW
Appr. for VFD:	CE, CULUS, C-TICK
Pressure sensor:	N
Others:	
Minimum efficiency index, MEI ≥:	0.63
Net weight:	795 kg
Gross weight:	867 kg
Shipping volume:	2.8 m ³
Country of origin:	HU
Custom tariff no.:	84137059
Language on pump nameplate:	GB

On request NKE 150-315.2/275 AIA1F1AESBQQERW3 50 Hz



Note! All units are in [mm] unless others are stated.
Disclaimer: This simplified dimensional drawing does not show all details.

On request NKE 150-315.2/275 AIA1F1AESBQQERW3 50 Hz



IEC TP211 THERMALLY PROTECTED WHEN THE THERMISTORS ARE
CONNECTED TO AMPLIFIER RELAY FOR CONTROL OF MAIN SUPPLY
THERMISTORS PTC ACCORDING TO DIN 44082

Note! All units are in [mm] unless others are stated.

