

Qty. Description

1 NKE 80-200/200 AIA1F2LESBQQESW1



Note! Product picture may differ from actual product

Product No.: On request

Non-self-priming, single-stage, centrifugal pump designed according to ISO 5199 with dimensions and rated performance according to EN 733. Flanges are PN 16 with dimensions according to EN 1092-1. The pump has an axial suction port, a radial discharge port and horizontal shaft. It is of the back pull-out design enabling removal of the motor, coupling, bearing bracket and impeller without disturbing the pump housing or pipework.

The unbalanced rubber bellows seal is according to DIN EN 12756.

The pump is fitted with a foot-mounted, fan-cooled asynchronous motor. Pump and motor are mounted on a common base frame.

Pump and motor are mounted on a common steel base frame in accordance with ISO 3661. The back pull-out design makes it possible to service the pump when the pump housing is still connected to the inlet and discharge pipes.

- 1) Remove the bolts in the bearing bracket support foot and motor foot.
- 2) Remove the bearing bracket and the motor from the pump housing.



Pump

The pump is fitted with an unbalanced rubber bellows seal with torque transmission across the spring and around the bellows. Due to the bellows, the seal does not wear the shaft, and the axial movement is not prevented by deposits on the shaft.



Seal faces:

- Rotating seal ring material: silicon carbide (SiC)
- Stationary seat material: silicon carbide (SiC)

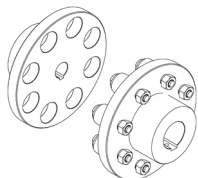
This material pairing is used where higher corrosion resistance is required. The high hardness of this material pairing offers good resistance against abrasive particles.

Secondary seal material: EPDM (ethylene-propylene rubber)

EPDM has excellent resistance to hot water. EPDM is not suitable for mineral oils.

The shaft is made of stainless steel and has a diameter of 32 mm where the coupling is mounted.

The pump uses a standard coupling between the pump and motor shaft.



Qty. Description

1 The language on the pump nameplate is English.

Motor

The motor is a totally enclosed, fan-cooled motor with principal dimensions to IEC and DIN standards. Electrical tolerances comply with IEC 60034.

The motor efficiency is classified as IE4 in accordance with IEC 60034-30-1.

The motor has thermistors (PTC sensors) in the windings in accordance with DIN 44081/DIN 44082. The protection reacts to both slow- and quick-rising temperatures, e.g. constant overload and stalled conditions.

Thermal switches must be connected to an external control circuit in a way which ensures that the automatic reset cannot cause accidents. The motors must be connected to a motor-protective circuit breaker according to local regulations.

The motor requires no external motor protection. The motor control unit incorporates protection against slow- and quick-rising temperatures, e.g. constant overload and stalled conditions.

Further product details

Technical data

Controls:

VFD product number: 99616824

Frequency converter: Built-in

Type of frequency converter: CUE 3X380-500V IP55 RUG 37KW

Appr. for VFD: CE, CULUS, C-TICK

Pressure sensor: N

Liquid:

Pumped liquid: Water

Liquid temperature range: -25 .. 120 °C

Selected liquid temperature: 20 °C

Density: 998.2 kg/m³

Technical:

Pump speed on which pump data are based: 2955 rpm

Rated flow: 185.2 m³/h

Pump with motor (Yes/No): Y

Rated head: 47.35 m

Actual impeller diameter: 200 mm

Nominal impeller diameter: 200

Code for shaft seal: BQQE

Mechanical seal type: Single

Curve tolerance: ISO9906:2012 3B

Bearing design: Standard

Materials:

Pump housing: Stainless steel

EN 1.4517

ASTM CD4MCuN

Wear ring: Stainless steel

Impeller: Stainless steel

EN 1.4517

ASTM CD4MCuN

Internal pump house coating: No coating

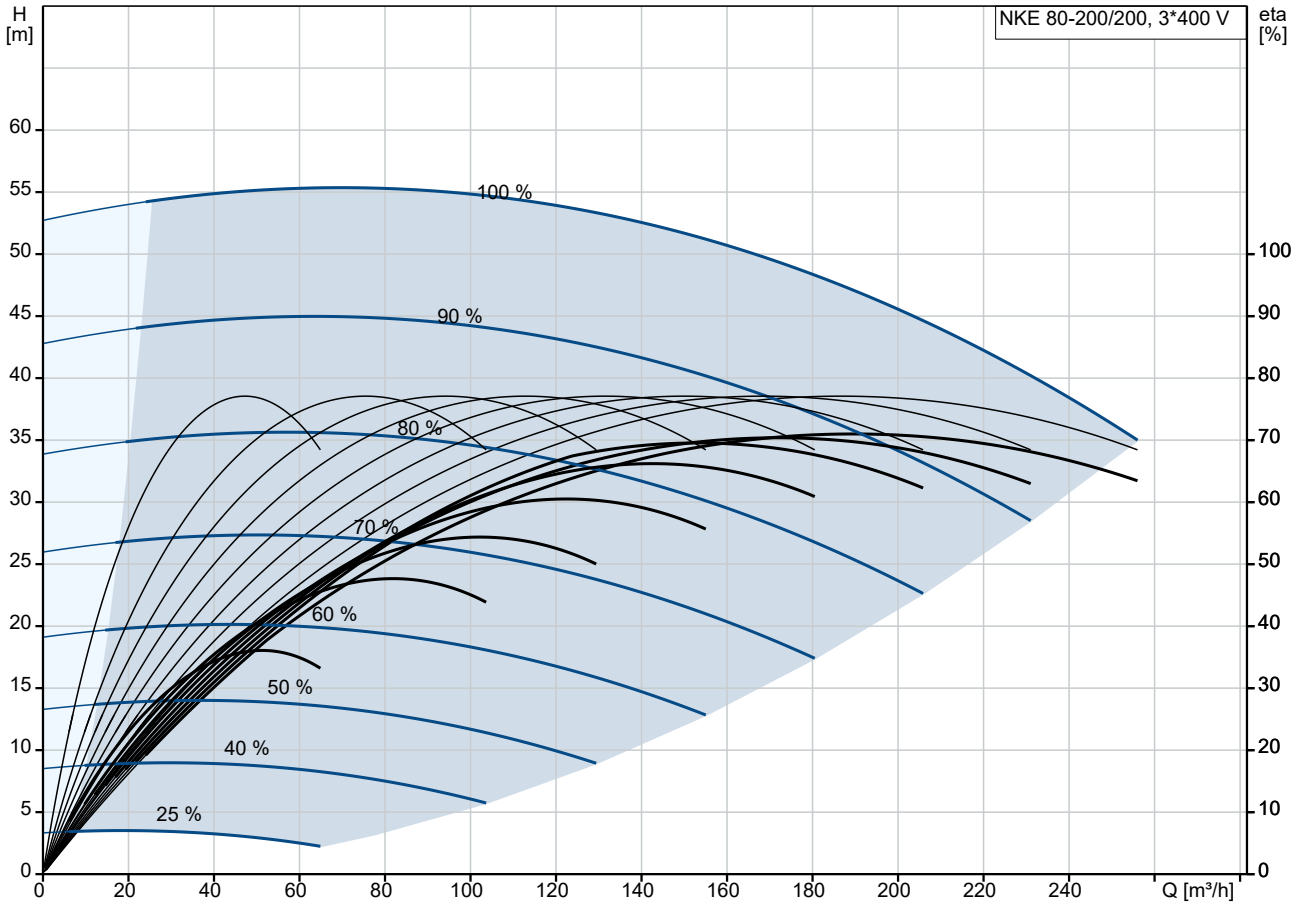
Shaft: Stainless steel

EN 1.4462

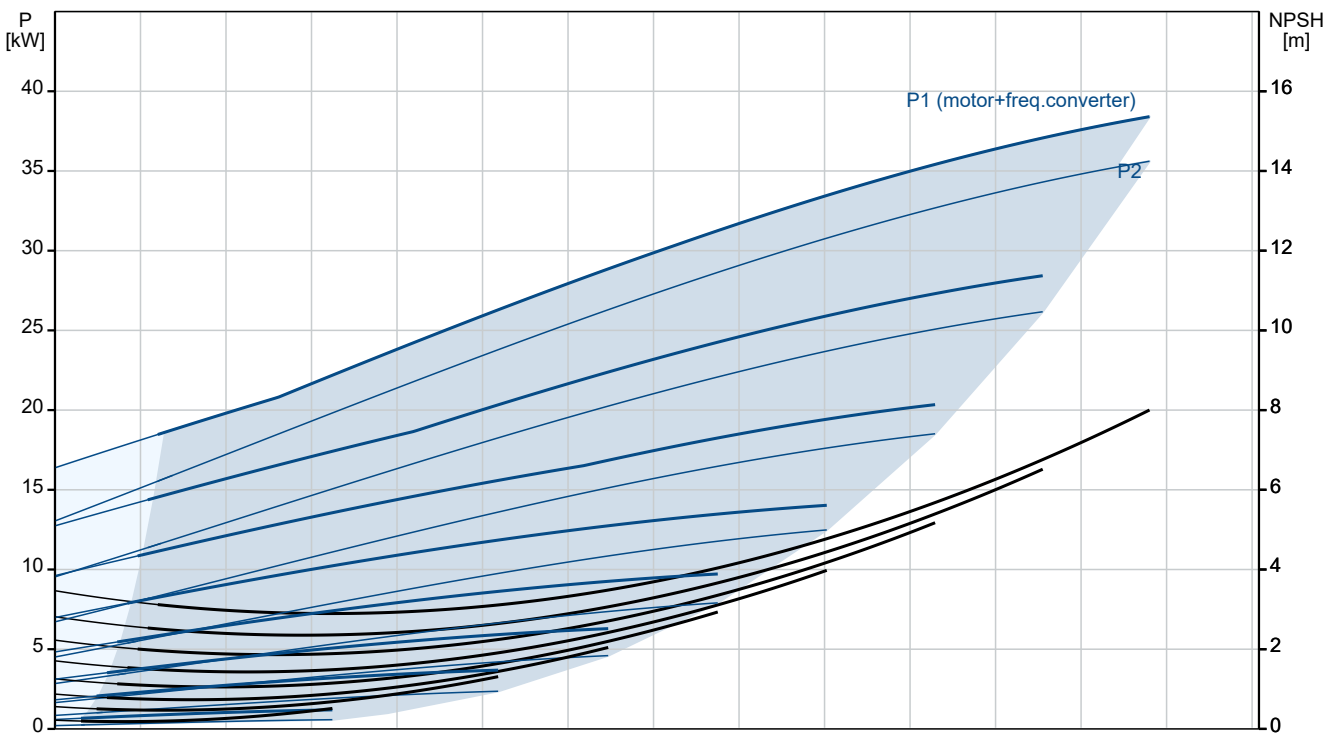
SAF 2205

| Qty. | Description |
|------|---|
| 1 | <p>Installation:</p> <p>Range of ambient temperature: -10 .. 50 °C</p> <p>Maximum operating pressure: 16 bar</p> <p>Pipe connection standard: EN 1092-1</p> <p>Type of inlet connection: DIN</p> <p>Type of outlet connection: DIN</p> <p>Size of inlet connection: DN 100</p> <p>Size of outlet connection: DN 80</p> <p>Pressure rating for connection: PN 16</p> <p>Coupling type: Flexible w/o spacer</p> <p>Base frame design: EN/ISO</p> <p>Code for base frame: 8 ST</p> <p>Grouting (Yes/No): N</p> <p>Electrical data:</p> <p>Motor type: SIEMENS</p> <p>Rated power - P2: 37 kW</p> <p>Mains frequency: 50 Hz</p> <p>Rated voltage: 3 x 380-420D/660-725Y V</p> <p>Rated current: 64/37 A</p> <p>Starting current: 780 %</p> <p>Cos phi - power factor: 0.88</p> <p>Rated speed: 2955 rpm</p> <p>IE efficiency: IE4 94,8%</p> <p>IE Efficiency class: IE4</p> <p>Motor efficiency at full load: 94.8 %</p> <p>Motor efficiency at 3/4 load: 95.1 %</p> <p>Motor efficiency at 1/2 load: 94.9 %</p> <p>Number of poles: 2</p> <p>Enclosure class (IEC 34-5): IP55</p> <p>Insulation class (IEC 85): F</p> <p>Motor No: 92779387</p> <p>Bearing insulation type N-end: COATED RING</p> <p>Others:</p> <p>Minimum efficiency index, MEI ≥: 0.55</p> <p>Net weight: 575 kg</p> <p>Gross weight: 630 kg</p> <p>Shipping volume: 1.68 m³</p> <p>Country of origin: HU</p> <p>Custom tariff no.: 84137059</p> <p>Language on pump nameplate: GB</p> |

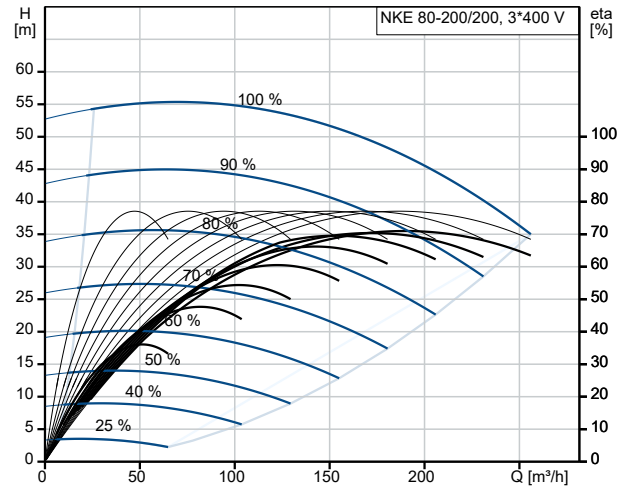
On request NKE 80-200/200 AIA1F2LESBQQESW1 50 Hz



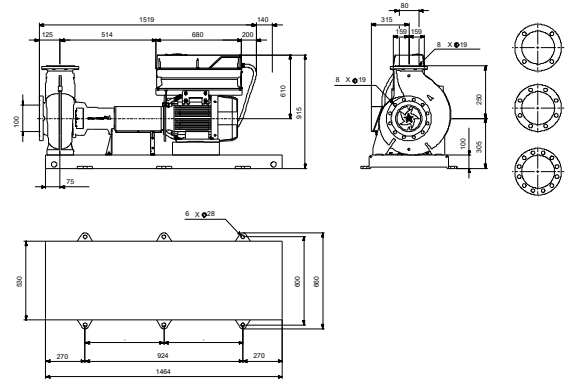
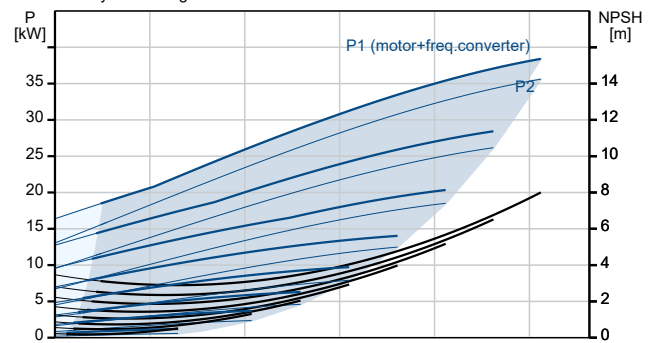
Pumped liquid = Water
Liquid temperature during operation = 20 °C
Density = 998.2 kg/m³



| Description | Value |
|--|------------------------------------|
| General information: | |
| Product name: | NKE 80-200/200 AIA1F2LESBQQESW1 |
| Product No: | On request |
| EAN number: | On request |
| Technical: | |
| Pump speed on which pump data are based: | 2955 rpm |
| Rated flow: | 185.2 m ³ /h |
| Pump with motor (Yes/No): | Y |
| Rated head: | 47.35 m |
| Actual impeller diameter: | 200 mm |
| Nominal impeller diameter: | 200 |
| Shaft diameter: | 32 mm |
| Code for shaft seal: | BQQE |
| Mechanical seal type: | Single |
| Curve tolerance: | ISO9906:2012 3B |
| Pump version: | A1 |
| Bearing design: | Standard |
| Materials: | |
| Pump housing: | Stainless steel |
| Pump housing: | EN 1.4517 |
| Pump housing: | ASTM CD4MCuN |
| Wear ring: | Stainless steel |
| Impeller: | Stainless steel |
| Impeller: | EN 1.4517 |
| Impeller: | ASTM CD4MCuN |
| Internal pump house coating: | No coating |
| Material code: | L |
| Code for rubber: | E |
| Shaft: | Stainless steel |
| Shaft: | EN 1.4462 |
| Shaft: | SAF 2205 |
| Installation: | |
| Range of ambient temperature: | -10 .. 50 °C |
| Maximum operating pressure: | 16 bar |
| Pipe connection standard: | EN 1092-1 |
| Type of inlet connection: | DIN |
| Type of outlet connection: | DIN |
| Size of inlet connection: | DN 100 |
| Size of outlet connection: | DN 80 |
| Pressure rating for connection: | PN 16 |
| Coupling type: | Flexible w/o spacer |
| Base frame design: | EN/ISO |
| Code for base frame: | 8 ST |
| Grouting (Yes/No): | N |
| Connect code: | F |
| Liquid: | |
| Pumped liquid: | Water |
| Liquid temperature range: | -25 .. 120 °C |
| Selected liquid temperature: | 20 °C |
| Density: | 998.2 kg/m ³ |
| Electrical data: | |
| Motor type: | SIEMENS |
| Rated power - P2: | 37 kW |
| Mains frequency: | 50 Hz |
| Rated voltage: | 3 x 380-420D/660-725Y V |
| Rated current: | 64/37 A |



Pumped liquid = Water
Liquid temperature during operation = 20 °C
Density = 998.2 kg/m³





Company name:

Created by:

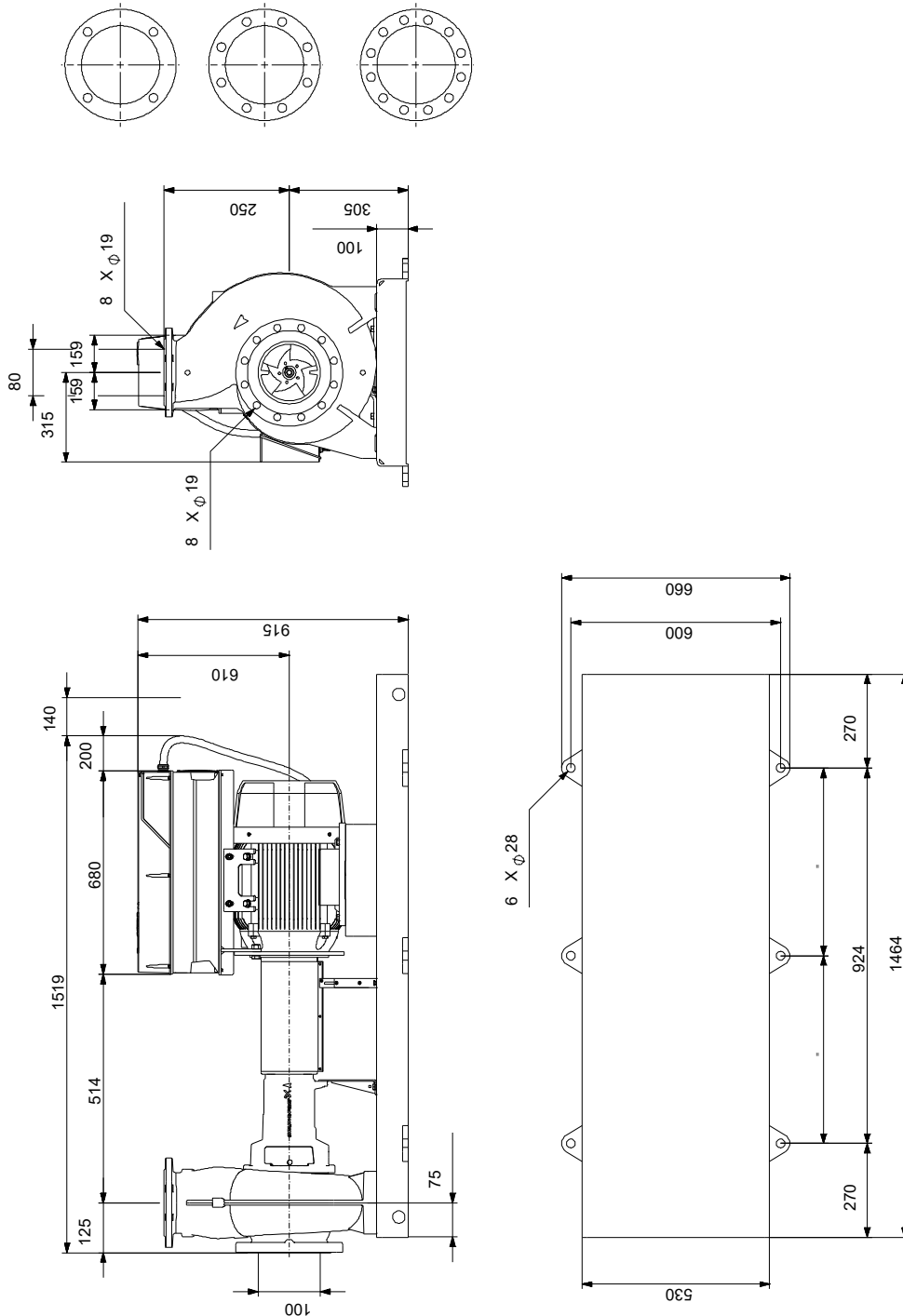
Phone:

Date:

23/10/2024

| Description | Value |
|----------------------------------|---------------------------------|
| Starting current: | 780 % |
| Cos phi - power factor: | 0.88 |
| Rated speed: | 2955 rpm |
| IE efficiency: | IE4 94,8% |
| IE Efficiency class: | IE4 |
| Motor efficiency at full load: | 94.8 % |
| Motor efficiency at 3/4 load: | 95.1 % |
| Motor efficiency at 1/2 load: | 94.9 % |
| Number of poles: | 2 |
| Enclosure class (IEC 34-5): | IP55 |
| Insulation class (IEC 85): | F |
| Built-in motor protection: | PTC |
| Motor No: | 92779387 |
| Bearing insulation type N-end: | COATED RING |
| Controls: | |
| VFD product number: | 99616824 |
| Frequency converter: | Built-in |
| Type of frequency converter: | CUE 3X380-500V IP55 RUG 37KW |
| Appr. for VFD: | CE, CULUS, C-TICK |
| Pressure sensor: | N |
| Others: | |
| Minimum efficiency index, MEI ≥: | 0.55 |
| Net weight: | 575 kg |
| Gross weight: | 630 kg |
| Shipping volume: | 1.68 m ³ |
| Country of origin: | HU |
| Custom tariff no.: | 84137059 |
| Language on pump nameplate: | GB |

On request NKE 80-200/200 AIA1F2LESBQQESW1 50 Hz



Note! All units are in [mm] unless others are stated.
Disclaimer: This simplified dimensional drawing does not show all details.

On request NKE 80-200/200 AIA1F2LESBQQESW1 50 Hz



Note! All units are in [mm] unless others are stated.

