

Submittal Data

PROJECT:	UNIT TAG:	QUANTITY:
REPRESENTATIVE: _____	TYPE OF SERVICE:	DATE: _____
ENGINEER:	SUBMITTED BY:	DATE:
CONTRACTOR:	APPROVED BY:	DATE:
	ORDER NO.:	DATE:

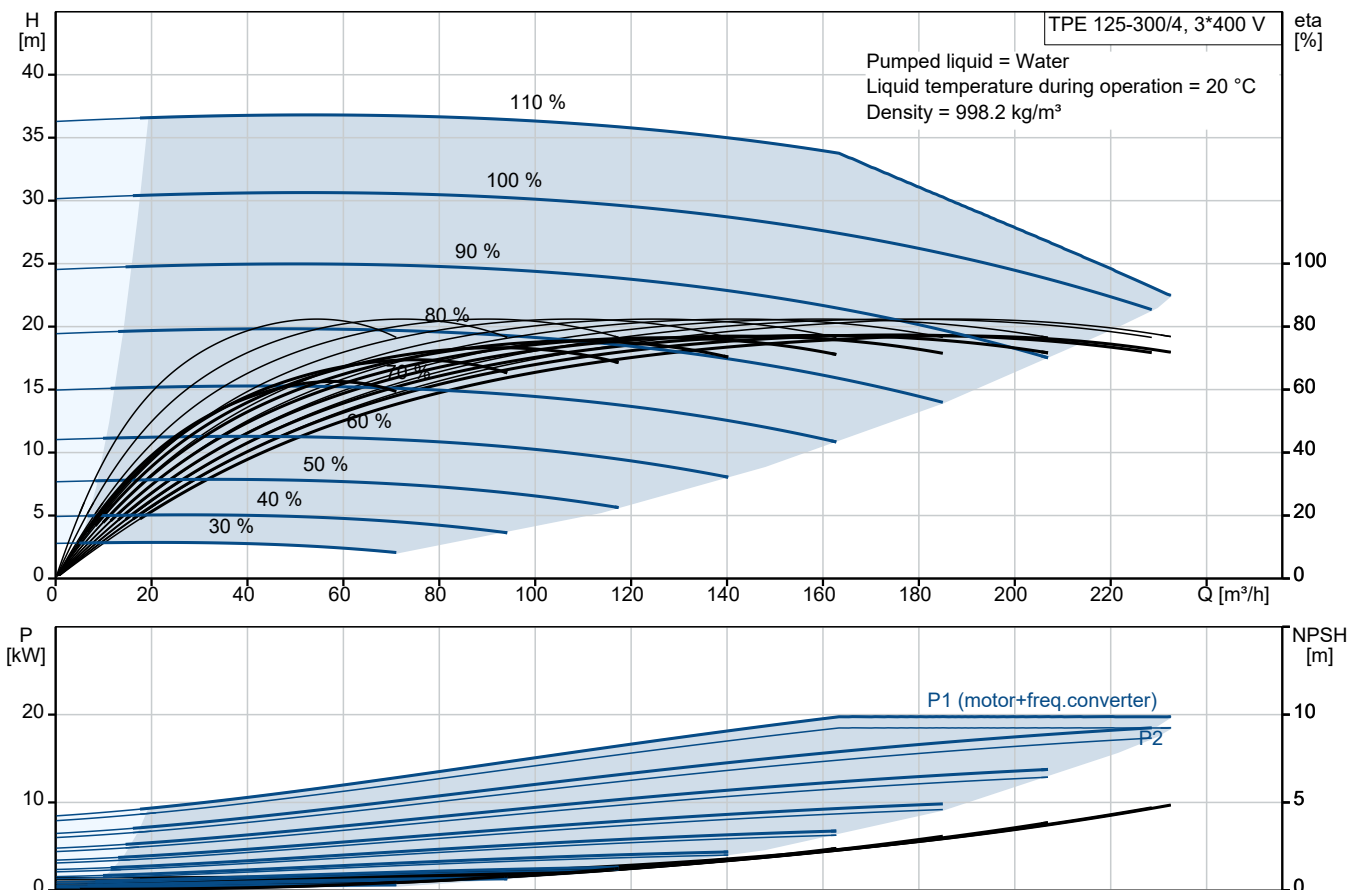


TPE 125-300/4 A3-F-O-DAQF-PWA

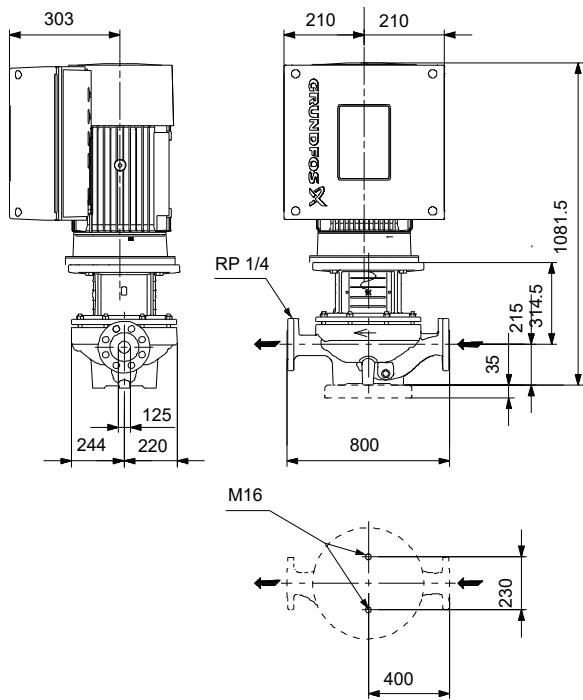
Grundfos TPE Series 1000, TPE2 pumps are single-stage, close-coupled in-line centrifugal pumps with mechanical shaft seal and primely for applications such as heating/cooling/district energy. The pumps are fitted with frequency controlled motors.

Note! Product picture may differ from actual product

Conditions of Service		Pump Data		Motor Data	
Liquid:	Water	Max pressure at stated temp:	25 bar / 140 °C	Rated voltage:	380-480 V
Temperature:	20 °C	Liquid temperature range:	0 .. 140 °C	Mains frequency:	50 Hz
Specific Gravity:	1.000	Maximum ambient temperature:	50 °C	Enclosure class:	IP55
		Shaft seal:	DAQF	Insulation class:	F
		Product number:	On request	Motor protection:	ELEC
				Motor type:	180MF
				Eta 1/1:	93.2 %



Submittal Data



Materials:

Pump housing: Ductile iron
Pump housing: ASTM Grade 60-40-18
Impeller: Cast iron
Impeller: ASTM class 30
Impeller: EN-GJL-200
Material code: O

Qty. Description

1 TPE 125-300/4 A3-F-O-DAQF-PWA



Note! Product picture may differ from actual product

Product No.: On request

Single-stage, close-coupled, volute pump with in-line suction and discharge ports of identical diameter. The pump is of the top-pull-out design, i.e. the power head (motor, pump head and impeller) can be removed for maintenance or service while the pump housing remains in the pipework.

The pump is fitted with a balanced O-ring seal. The shaft seal is according to EN 12756. Pipework connection is via PN 25 DIN flanges (EN 1092-2 and ISO 7005-2).

The pump is fitted with a fan-cooled, permanent-magnet synchronous motor. The motor efficiency is classified as IE5 in accordance with IEC 60034-30-2.

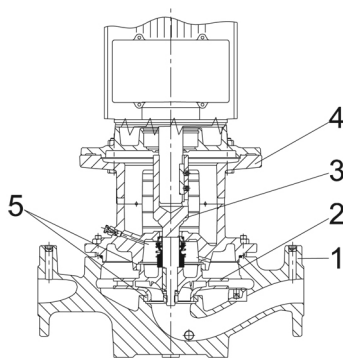
The product's minimum efficiency index (MEI) is greater or equal to 0.70. This is by the Commission Regulation (EU) considered as an indicative benchmark for best-performing water pump available on the market as from 1 January 2013.

An operating panel on the motor terminal box enables setting of required setpoint as well as setting of pump to "Min." or "Max." operation or to "Stop". The Grundfos Eye indicator on the operating panel provides visual indication of pump status:

- "Power on": Motor is running (rotating green indicator lights) or not running (permanently green indicator lights)
- "Warning": Motor is still running (rotating yellow indicator lights) or has stopped (permanently yellow indicator lights)
- "Alarm": Motor has stopped (flashing red indicator lights).

Communication with the pump is possible by means of Grundfos GO Remote (accessory). The remote control enables further settings as well as reading out of a number of parameters such as "Actual value", "Speed", "Power input" and total "Power consumption".

Pump



- 1: Pump housing
- 2: Impeller
- 3: Stub shaft
- 4: Pump head/motor stool
- 5: Wear rings

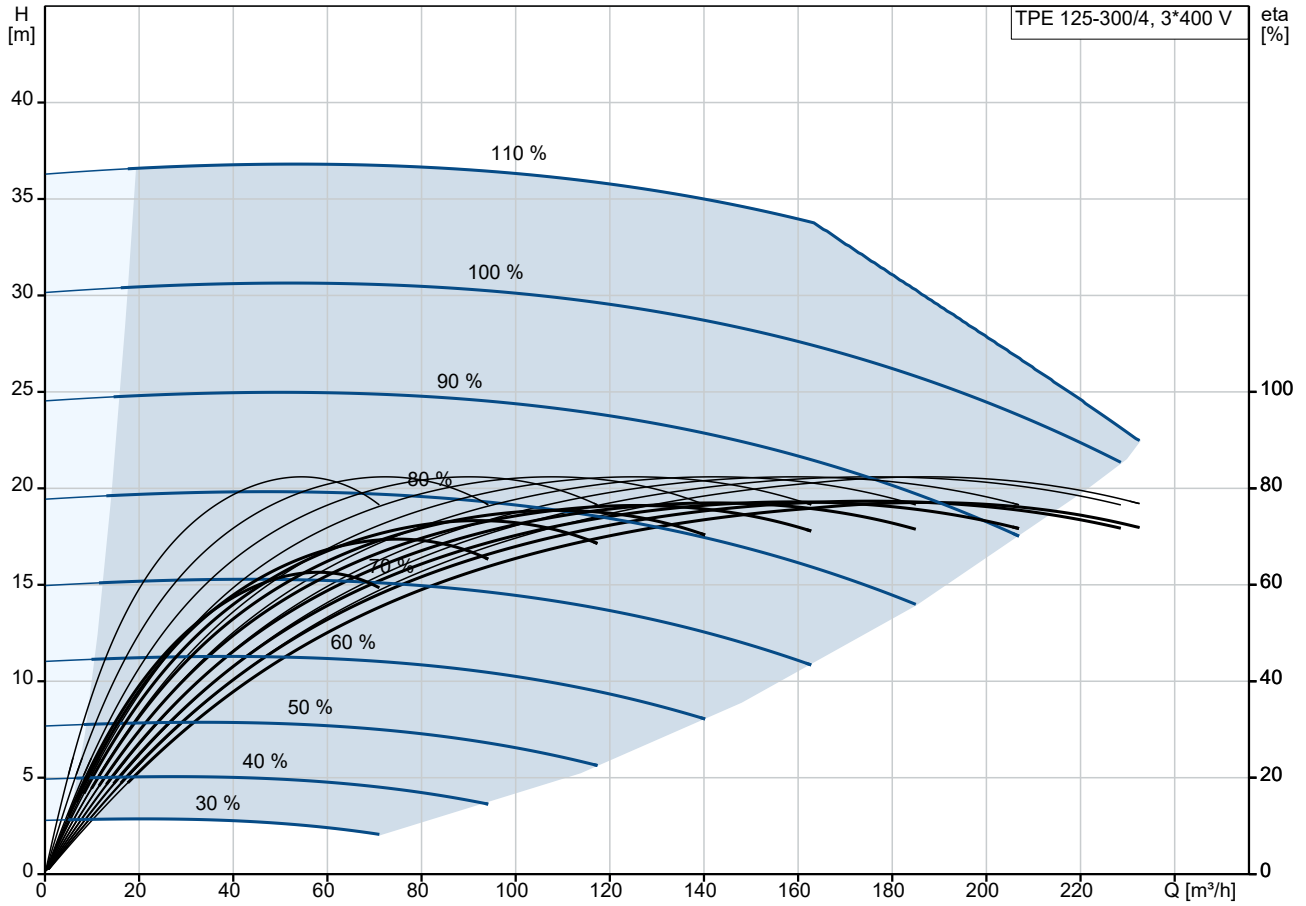
The pump housing is provided with a replaceable brass neck ring to reduce the amount of liquid running from the outlet side of the impeller to the inlet side.

The impeller is secured to the shaft with a nut.

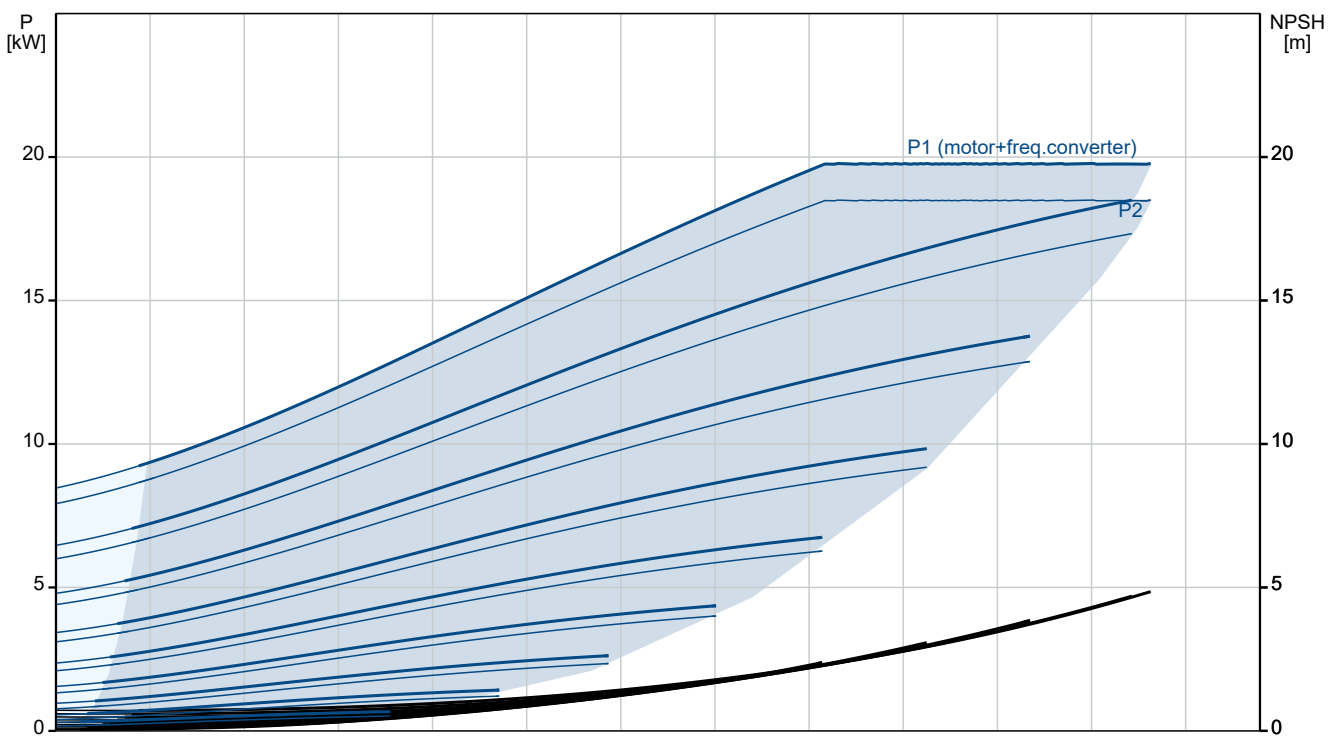
Qty.	Description
1	<p>The pump is fitted with a balanced O-ring seal. Due to the balancing, this seal type is suitable for high-pressure applications. This seal type is excellent for high-viscosity, dirt- and fibre-containing liquids due to the spring location on the atmospheric side. The seal features a rigid torque-transmission design.</p> <p>Seal faces:</p> <ul style="list-style-type: none"> • Rotating seal ring material: carbon graphite, metal-impregnated • Stationary seat material: silicon carbide (SiC) <p>Due to the favourable lubricating properties of carbon graphite, the seal is suitable for use even under poor lubricating conditions, such as hot water.</p> <p>However, under such conditions, wear on the carbon graphite face can be expected, and seal life will be reduced .</p> <p>The material pairing is not recommended for liquids containing particles as this will result in wear on the SiC face. Secondary seal material: FXM (fluorinated copolymer) FXM is particularly suitable for extremely high temperatures and pressures. FXM has a good chemical resistance.</p> <p>A circulation of liquid through the duct of the air vent screw ensures lubrication and cooling of the shaft seal. The flanges have tappings for mounting of pressure gauges.</p> <p>The motor stool forms connection between the pump housing and the motor, and is equipped with a manual air vent screw for venting of the pump housing and the shaft seal chamber. The sealing between motor stool and pump housing is an O-ring.</p> <p>The central part of the motor stool is provided with guards for protection against the shaft and coupling. The pump shaft is fastened directly on the motor shaft with key and set screws.</p> <p>The pump is mounted with a base plate.</p> <p>Motor</p> <p>The motor is a totally enclosed, fan-cooled motor with principal dimensions to IEC and DIN standards. Electrical tolerances comply with IEC 60034.</p> <p>The motor efficiency is classified as IE5 in accordance with IEC 60034-30-2.</p> <p>The motor requires no external motor protection. The motor control unit incorporates protection against slow- and quick-rising temperatures, e.g. constant overload and stalled conditions.</p> <p>Further product details</p> <p>Technical data</p> <p>Controls:</p> <p>Frequency converter: Built-in</p> <p>Liquid:</p> <p>Pumped liquid: Water</p> <p>Liquid temperature range: 0 .. 140 °C</p> <p>Selected liquid temperature: 20 °C</p> <p>Density: 998.2 kg/m³</p> <p>Technical:</p> <p>Pump speed on which pump data are based: 1470 rpm</p> <p>Rated flow: 180 m³/h</p> <p>Rated head: 27.3 m</p> <p>Actual impeller diameter: 295 mm</p> <p>Code for shaft seal: DAQF</p> <p>Curve tolerance: ISO9906:2012 3B</p> <p>Materials:</p> <p>Pump housing: Ductile iron EN-GJS-400-18-LT ASTM Grade 60-40-18</p> <p>Impeller: Cast iron EN-GJL-200</p>

Qty.	Description
1	<p data-bbox="564 338 730 371">ASTM class 30</p> <p data-bbox="196 398 325 432">Installation:</p> <p data-bbox="196 432 691 465">Range of ambient temperature: -20 .. 50 °C</p> <p data-bbox="196 465 636 499">Maximum operating pressure: 25 bar</p> <p data-bbox="196 499 730 533">Max pressure at stated temp: 25 bar / 140 °C</p> <p data-bbox="196 533 608 566">Type of connection: DIN</p> <p data-bbox="196 566 651 600">Size of connection: DN 125</p> <p data-bbox="196 600 636 633">Pressure rating for connection: PN 25</p> <p data-bbox="196 633 655 667">Port-to-port length: 800 mm</p> <p data-bbox="196 667 639 701">Flange size for motor: FF300</p> <p data-bbox="196 712 363 745">Electrical data:</p> <p data-bbox="196 745 639 779">Motor type: 180MF</p> <p data-bbox="196 779 655 813">Rated power - P2: 18.5 kW</p> <p data-bbox="196 813 636 846">Mains frequency: 50 Hz</p> <p data-bbox="196 846 719 880">Rated voltage: 3 x 380-480 V</p> <p data-bbox="196 880 691 913">Rated current: 33.2-26.9 A</p> <p data-bbox="196 913 671 947">Cos phi - power factor: 0.94-0.93</p> <p data-bbox="196 947 719 981">Rated speed: 180-2200 rpm</p> <p data-bbox="196 981 608 1014">IE Efficiency class: IE5</p> <p data-bbox="196 1014 639 1048">Motor efficiency at full load: 93.2 %</p> <p data-bbox="196 1048 576 1081">Number of poles: 4</p> <p data-bbox="196 1081 608 1115">Enclosure class (IEC 34-5): IP55</p> <p data-bbox="196 1115 576 1149">Insulation class (IEC 85): F</p> <p data-bbox="196 1149 671 1182">Motor No: 92875536</p> <p data-bbox="196 1193 288 1227">Others:</p> <p data-bbox="196 1227 639 1261">Minimum efficiency index, MEI ≥: 0.70</p> <p data-bbox="196 1261 639 1294">Net weight: 334 kg</p> <p data-bbox="196 1294 639 1328">Gross weight: 395 kg</p> <p data-bbox="196 1328 655 1361">Shipping volume: 0.937 m³</p> <p data-bbox="196 1361 608 1395">Country of origin: HU</p> <p data-bbox="196 1395 671 1429">Custom tariff no.: 84137051</p>

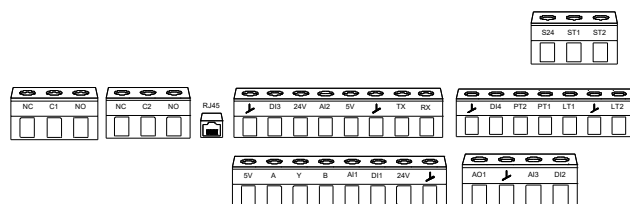
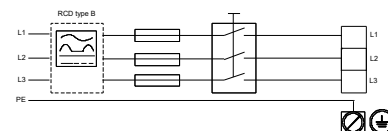
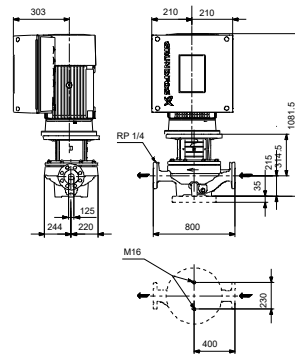
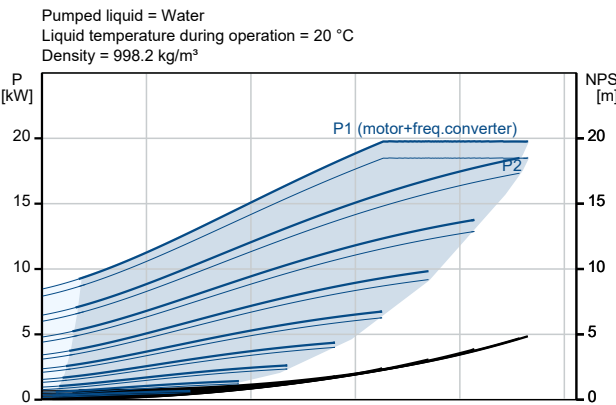
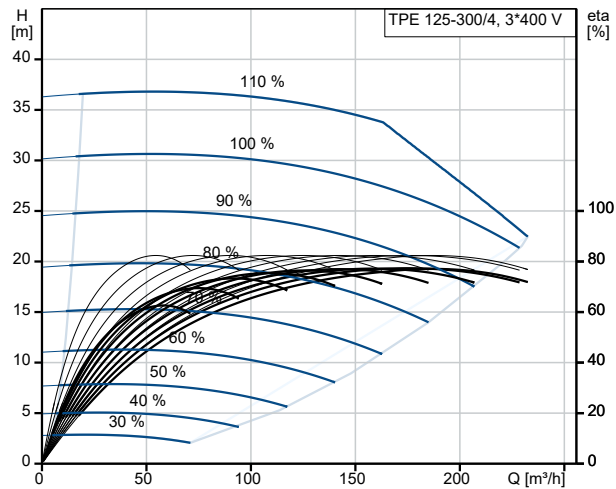
On request TPE 125-300/4 A3-F-O-DAQF-PWA 50 Hz



Pumped liquid = Water
 Liquid temperature during operation = 20 °C
 Density = 998.2 kg/m³



Description	Value
General information:	
Product name:	TPE 125-300/4 A3-F-O-DAQF-PWA
Product No:	On request
EAN number:	On request
Technical:	
Pump speed on which pump data are based:	1470 rpm
Rated flow:	180 m ³ /h
Rated head:	27.3 m
Maximum head:	300 dm
Actual impeller diameter:	295 mm
Code for shaft seal:	DAQF
Curve tolerance:	ISO9906:2012 3B
Pump version:	A3
Materials:	
Pump housing:	Ductile iron
Pump housing:	EN-GJS-400-18-LT
Pump housing:	ASTM Grade 60-40-18
Impeller:	Cast iron
Impeller:	EN-GJL-200
Impeller:	ASTM class 30
Material code:	O
Installation:	
Range of ambient temperature:	-20 .. 50 °C
Maximum operating pressure:	25 bar
Max pressure at stated temp:	25 bar / 140 °C
Type of connection:	DIN
Size of connection:	DN 125
Pressure rating for connection:	PN 25
Port-to-port length:	800 mm
Flange size for motor:	FF300
Connect code:	F
Liquid:	
Pumped liquid:	Water
Liquid temperature range:	0 .. 140 °C
Selected liquid temperature:	20 °C
Density:	998.2 kg/m ³
Electrical data:	
Motor type:	180MF
Rated power - P2:	18.5 kW
Mains frequency:	50 Hz
Rated voltage:	3 x 380-480 V
Rated current:	33.2-26.9 A
Cos phi - power factor:	0.94-0.93
Rated speed:	180-2200 rpm
IE Efficiency class:	IE5
Motor efficiency at full load:	93.2 %
Number of poles:	4
Enclosure class (IEC 34-5):	IP55
Insulation class (IEC 85):	F
Built-in motor protection:	ELEC
Motor No:	92875536
Controls:	
Control panel:	HMI200 - Standard
Function Module:	FM310 - Advanced
Frequency converter:	Built-in
Others:	





Company name:

Created by:

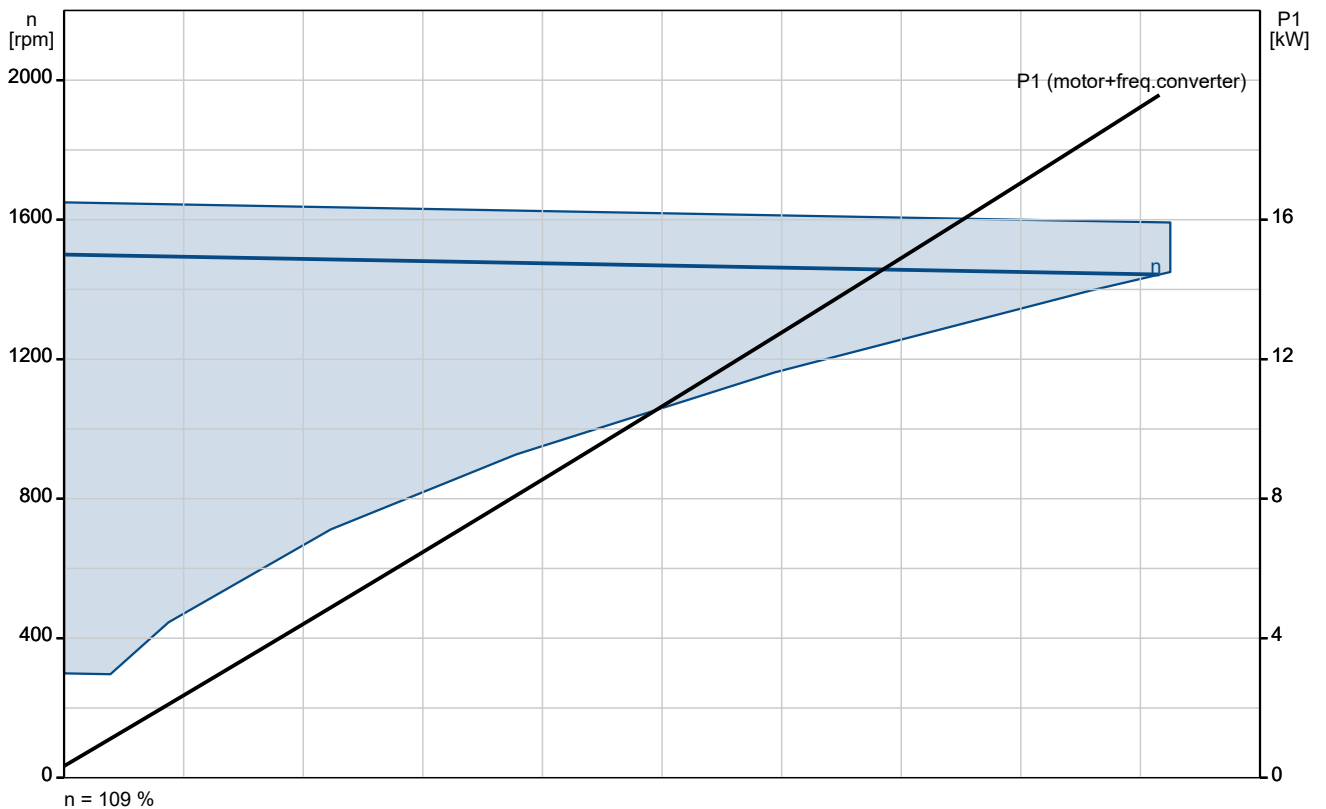
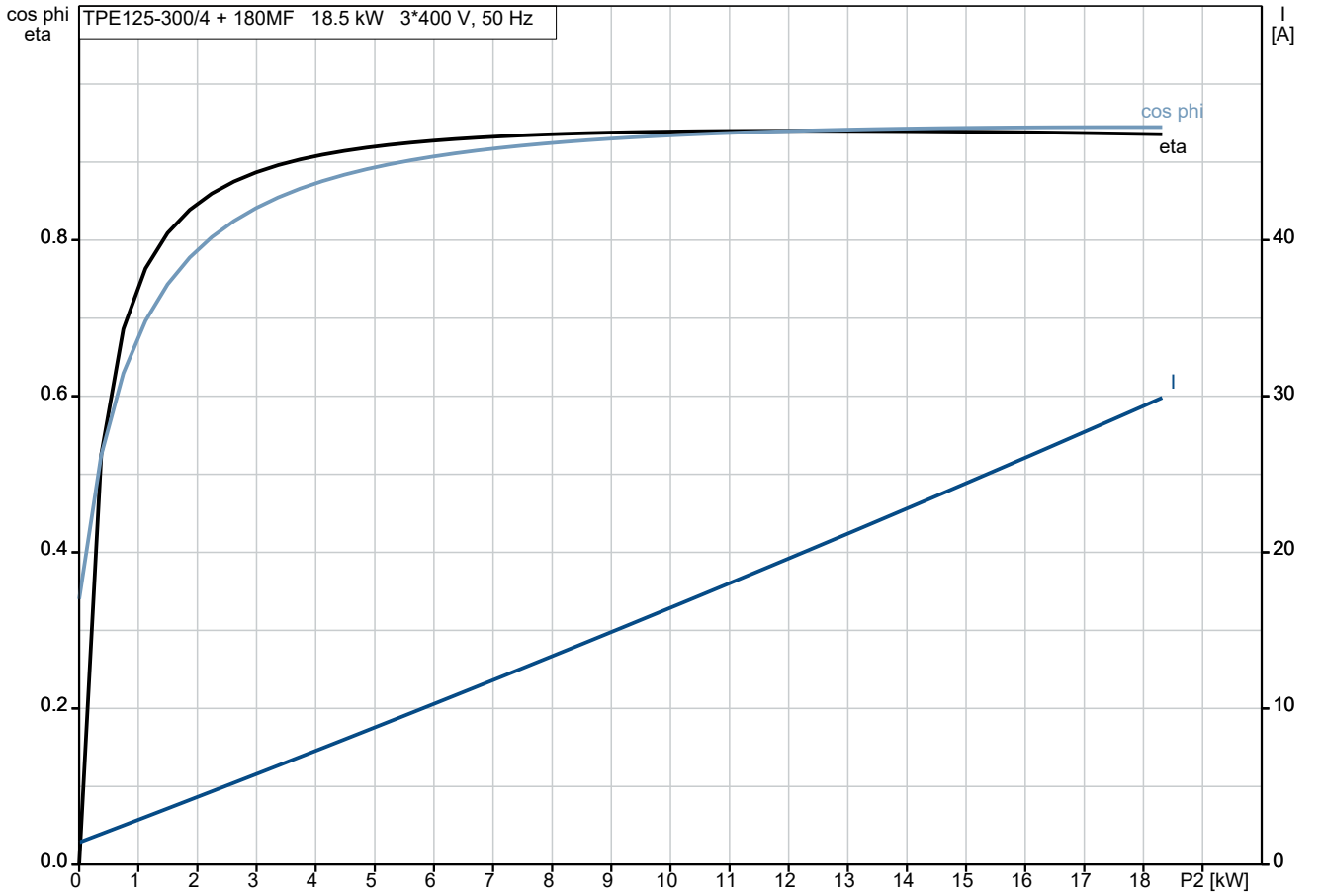
Phone:

Date:

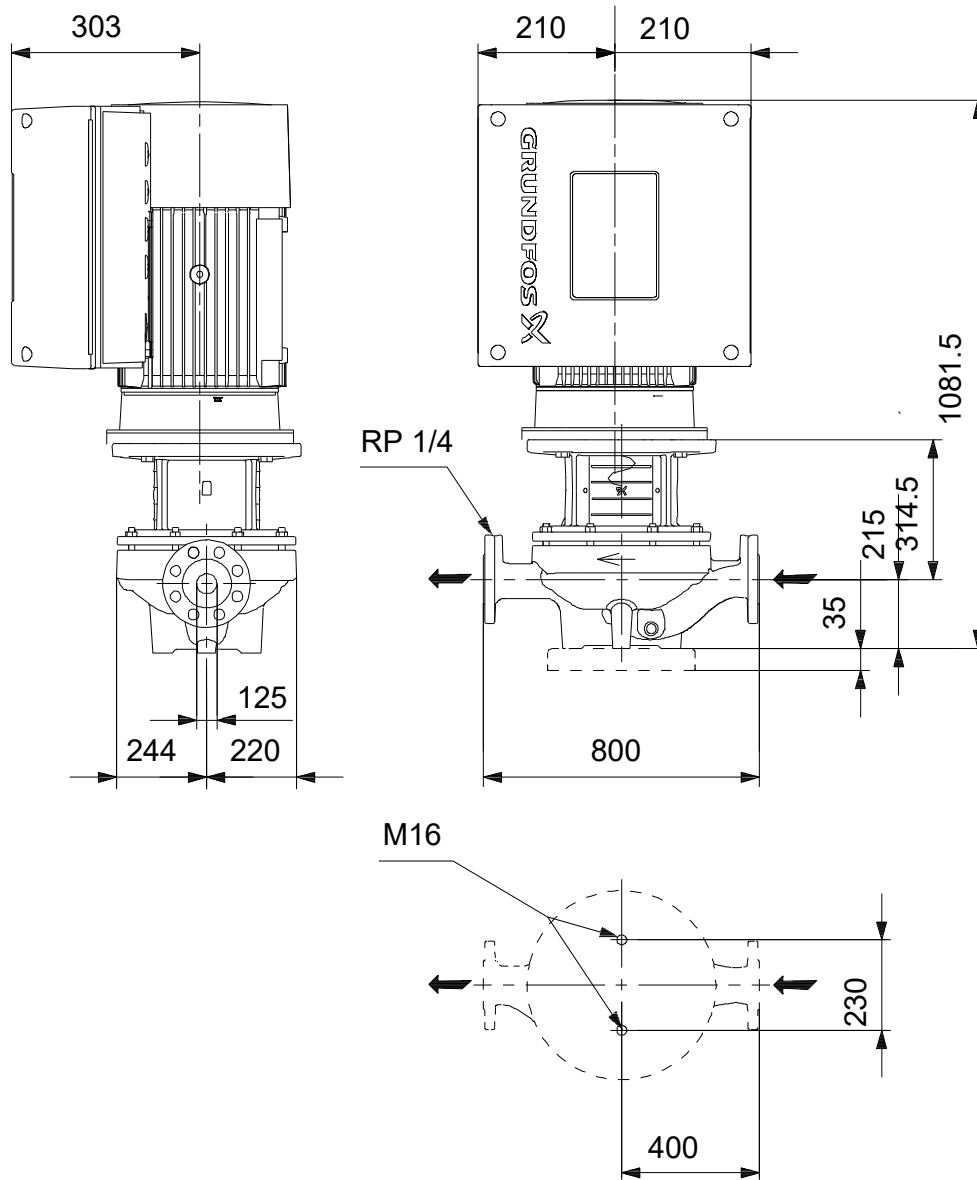
21/10/2024

Description	Value
Minimum efficiency index, MEI ≥:	0.70
Net weight:	334 kg
Gross weight:	395 kg
Shipping volume:	0.937 m ³
Config. file no:	92948774
Country of origin:	HU
Custom tariff no.:	84137051

On request TPE 125-300/4 A3-F-O-DAQF-PWA 50 Hz

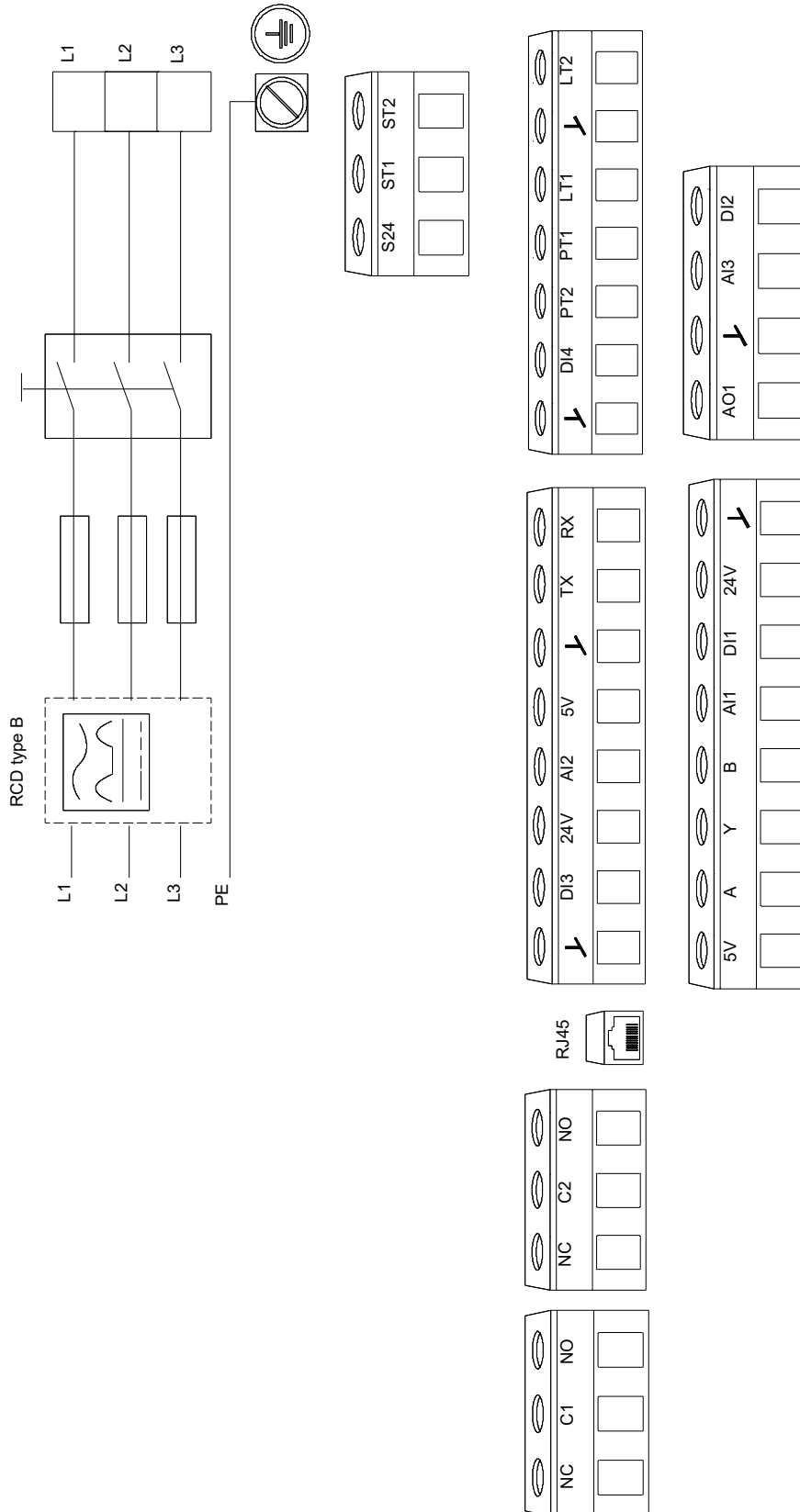


On request TPE 125-300/4 A3-F-O-DAQF-PWA 50 Hz



Note! All units are in [mm] unless others are stated.
Disclaimer: This simplified dimensional drawing does not show all details.

On request TPE 125-300/4 A3-F-O-DAQF-PWA 50 Hz



Note! All units are in [mm] unless others are stated.

