
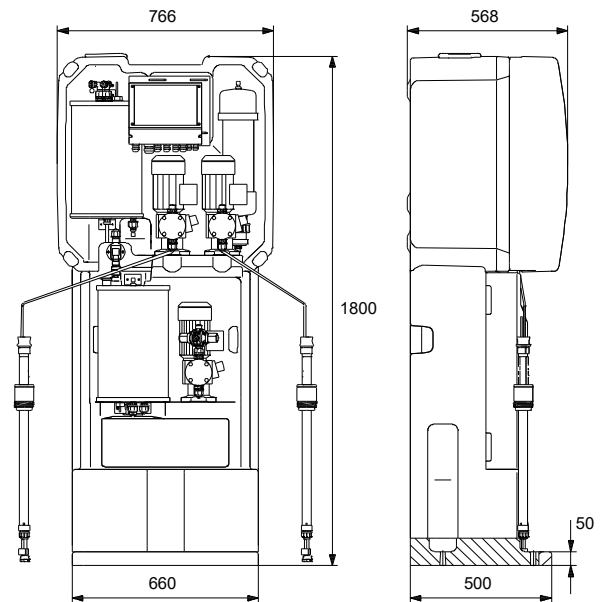


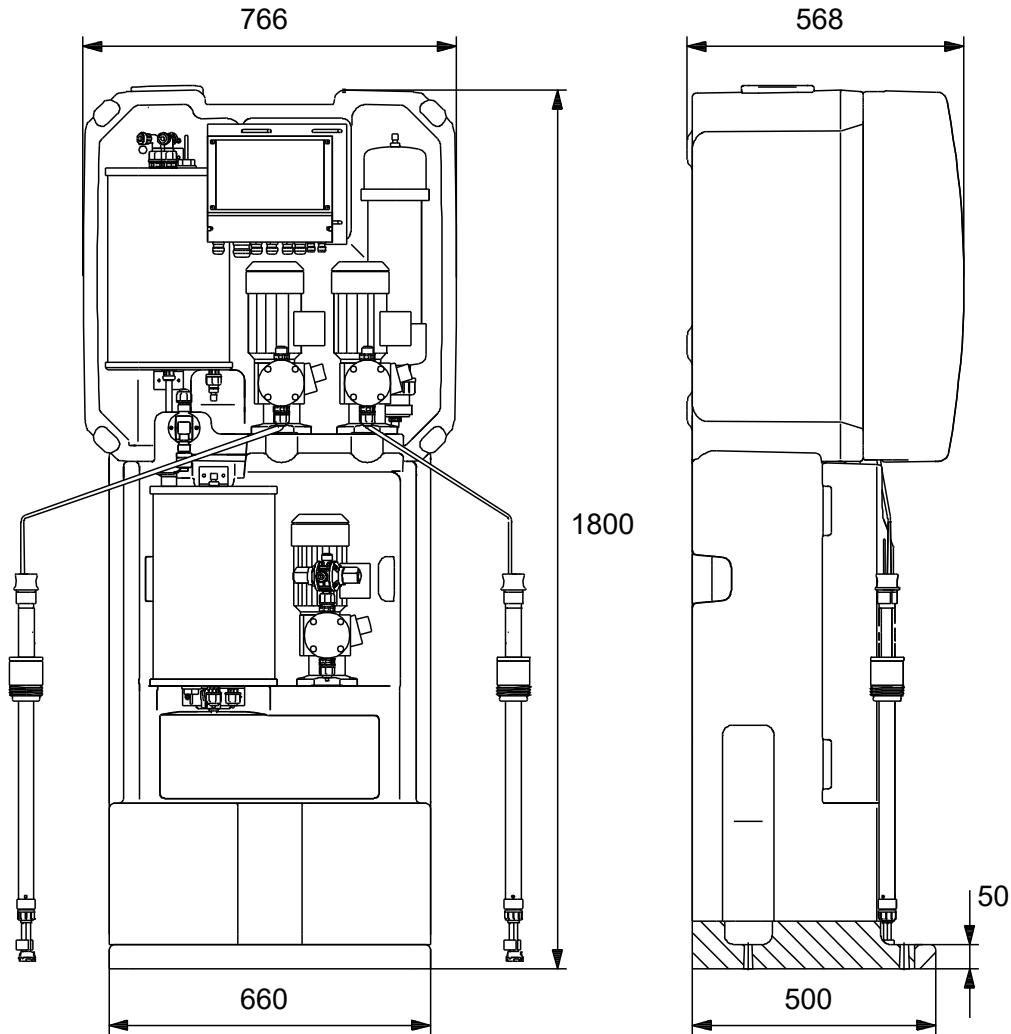
Anz.	Beschreibung
1	<p data-bbox="204 450 411 481">OCD-162-60-N/G2</p> <div data-bbox="328 499 464 808"></div> <p data-bbox="596 795 1050 822">Hinweis! Abbildung kann vom Produkt abweichen.</p> <p data-bbox="204 828 437 855">Produktnr.: auf Anfr.</p> <p data-bbox="204 889 1445 940">Compact pre-mounted generation and dosing system for chlorine dioxide according to sodium chlorite / hydrochloric acid method with chemicals-saving and corrosion-protective 1:1 mixture ratio.</p> <p data-bbox="204 947 1445 1023">The system is equipped with microprocessor control and integrated measuring amplifier. Therefore the chlorine dioxide solution can be optionally dosed proportional to flow or measurement controlled. Input comes from a contact water meter or a continuous signal from a water meter and a chlorine dioxide measuring cell.</p> <p data-bbox="204 1032 1369 1084">The compact design of the system as floor-standing unit enables easy use and safe, reliable operation. Front installation of all system components makes maintenance fast and less expensive.</p> <p data-bbox="204 1090 1445 1142">Only 7.5 weight-% sodium chlorite solution acc. to DIN EN 938 and 9 weight-% hydrochloric acid acc. to DIN EN 939 shall be used.</p> <p data-bbox="204 1149 1347 1200">A corrosion resistant injection point has to be used to reduce the risk of corrosion in the installation system. Alternatively the optional bypass mixing module from Grundfos is available.</p> <p data-bbox="204 1207 1347 1234">The unit can be supplied as option with an external chlorine dioxide batch tank for additional peak demand.</p> <p data-bbox="204 1267 400 1294">Scope of delivery:</p> <ul data-bbox="204 1301 699 1442" style="list-style-type: none">CIO₂ generation system in floor-standing rackTwo pre-assembled suction linesMounting materialProtective coverMulti-functional valve for ClO₂ dosing pump <p data-bbox="204 1476 371 1503">Technical data:</p> <ul data-bbox="204 1509 976 1592" style="list-style-type: none">Connection for dilution water: hose connector 6/9 mm or PVC pipe DN 8Connection for ClO₂ dosing: tubing connector 4/6, 6/9 and 9/12 mmDosing pump for ClO₂ is not integrated <p data-bbox="204 1626 639 1653">Generator capacity ClO₂: 60 g/h</p> <p data-bbox="204 1686 368 1713">Electrical data:</p> <ul data-bbox="204 1720 683 1803" style="list-style-type: none">Mains frequency: 50 / 60 HzRated voltage: 230 VEnclosure class (IEC 34-5): IP65 <p data-bbox="204 1836 320 1863">Sonstiges:</p> <ul data-bbox="204 1870 691 1928" style="list-style-type: none">Dimensions (WxHxD, mm): 766 x 1813 x 560Net weight: 85 kg

Beschreibung	Daten
Allgemeine Informationen:	
Produktbezeichnung:	OCD-162-60-N/G2
Produktnummer:	auf Anfr.
EAN-Nummer:	auf Anfr.
Technische Daten:	
Max. Leistung:	60 g/h
Dosierpumpe:	keine
Saugleitungen:	200/1000 l
Elektrische Daten:	
Netzfrequenz:	50 / 60 Hz
Bemessungsspannung:	x 230 V
Schutzart (gemäß IEC 34-5):	IP65
Sonstiges:	
Nettogewicht:	85 kg
Herkunftsland:	DE
Zolltarif Nr.:	84135040



Oxiperm pro 30g

auf Anfr. OCD-162-60-N/G2



Oxiperm pro 30g

