



Company name:

Created by:

Phone:

Date:

20/01/2024

Qty. Description

1

Pressure relief valves

Product No.: On request

Pressure relief valves protect the pump in case of too high counterpressure.

They are installed in the discharge line near the pump, using the 2 in-line connections.

The side connection leads the relief liquid back into the tank.

Technical:

Pump connection: Rp1/4

Materials:

Housing: Stainless steel

Gasket: NO GASKETS

Connection mat.: Stainless steel

Installation:

Pipework connection: Rp 1/4"

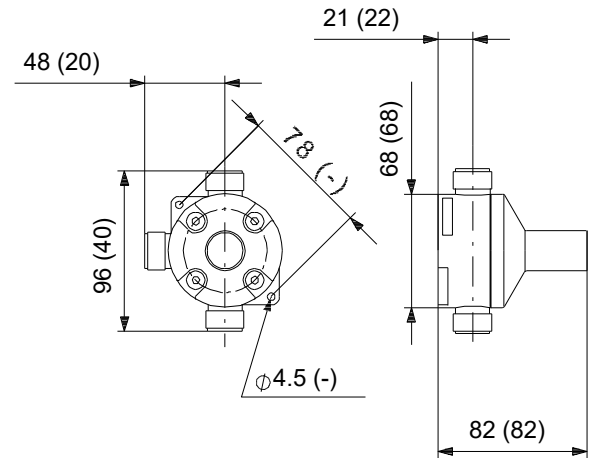
Relief pressure: 10 bar

Others:

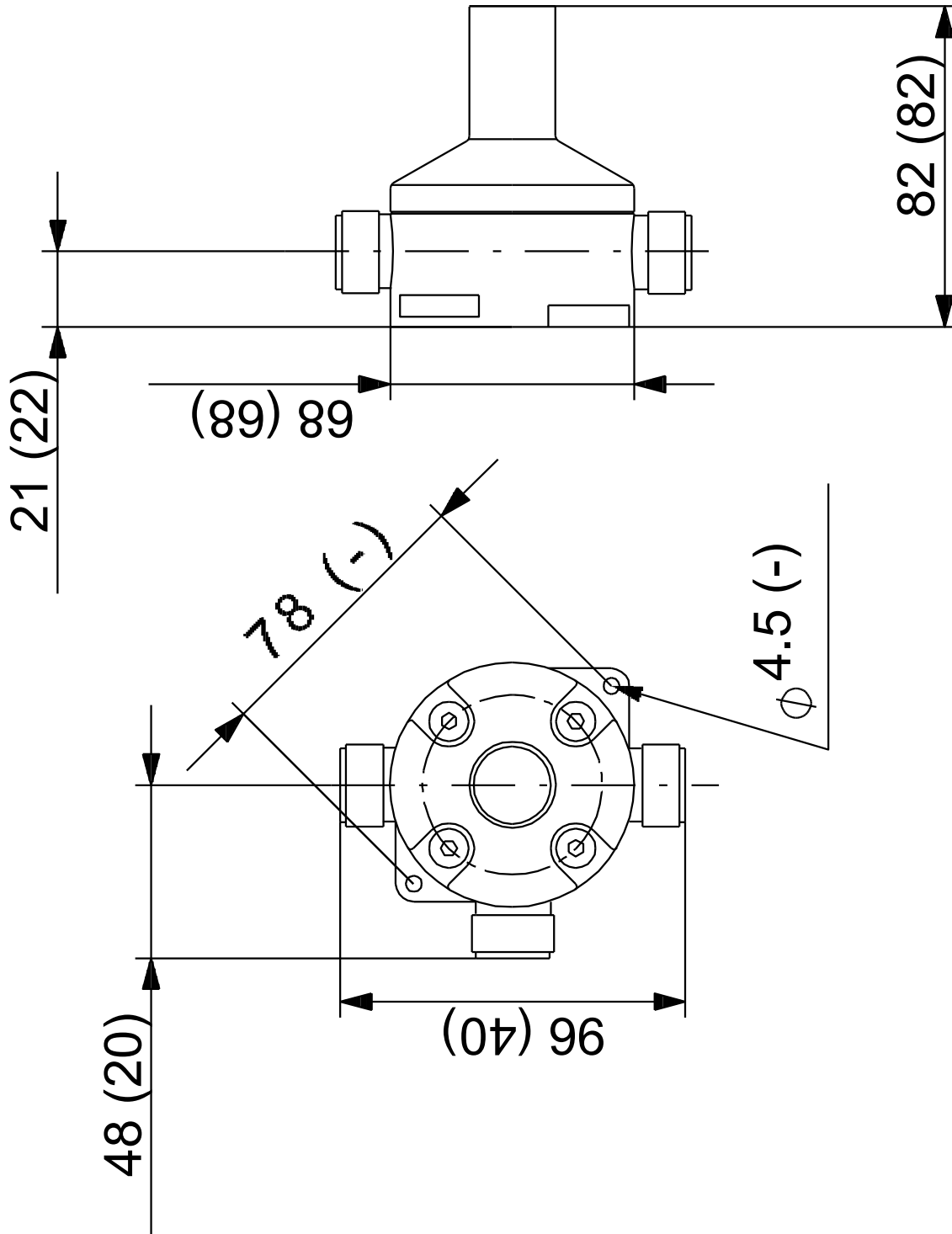
Country of origin: DE

Custom tariff no.: 84814090

Description	Value
General information:	
Product name:	Pressure relief valves
Product No:	On request
EAN number:	On request
Technical:	
Pump connection:	Rp1/4
Materials:	
Housing:	Stainless steel
Gasket:	NO GASKETS
Connection mat.:	Stainless steel
Installation:	
Pipework connection:	Rp 1/4"
Relief pressure:	10 bar
Others:	
Designed for:	Pumps up to 60l/h
Country of origin:	DE
Custom tariff no.:	84814090



On request Pressure relief valves



Note! All units are in [mm] unless others are stated.
Disclaimer: This simplified dimensional drawing does not show all details.

