


Anz.	Beschreibung														
1	<p data-bbox="204 450 383 479"><b>OCD-162-5-S/G</b></p> <div data-bbox="300 499 464 808"></div> <p data-bbox="596 795 1050 819"><b>Hinweis! Abbildung kann vom Produkt abweichen.</b></p> <p data-bbox="204 826 437 853">Produktnr.: auf Anfr.</p> <p data-bbox="204 889 1445 938">Compact pre-mounted generation and dosing system for chlorine dioxide according to sodium chlorite / hydrochloric acid method with chemicals-saving and corrosion-protective 1:1 mixture ratio.</p> <p data-bbox="204 947 1445 1021">The system is equipped with microprocessor control and integrated measuring amplifier. Therefore the chlorine dioxide solution can be optionally dosed proportional to flow or measurement controlled. Input comes from a contact water meter or a continuous signal from a water meter and a chlorine dioxide measuring cell.</p> <p data-bbox="204 1032 1398 1081">The compact design of the system enables easy use and safe, reliable operation. Front installation of all system components makes maintenance fast and less expensive.</p> <p data-bbox="204 1090 1422 1140">Only 7.5 weight-% sodium chlorite solution acc. to DIN 19617 and 9 weight-% hydrochloric acid acc. to DIN 19610 shall be used.</p> <p data-bbox="204 1149 1347 1198">A corrosion resistant injection point has to be used to reduce the risk of corrosion in the installation system. Alternatively the optional bypass mixing module from Grundfos Alldos is available.</p> <p data-bbox="204 1207 1347 1234">The unit can be supplied as option with an external chlorine dioxide batch tank for additional peak demand.</p> <p data-bbox="204 1267 400 1294">Scope of delivery:</p> <ul data-bbox="204 1296 560 1413" style="list-style-type: none"><li>CIO<sub>2</sub> generation system</li><li>Two pre-assembled suction lines</li><li>Mounting material</li><li>Protective cover</li></ul> <p data-bbox="204 1447 371 1473">Technical data:</p> <p data-bbox="204 1476 978 1503">Connection for dilution water: hose connector 6/9 mm or PVC pipe DN 8</p> <p data-bbox="204 1505 932 1532">Connection for ClO<sub>2</sub> dosing: tubing connector 4/6, 6/9 and 9/12 mm</p> <table data-bbox="204 1565 799 1626"><tr><td>Generator capacity ClO<sub>2</sub>:</td><td>5 g/h</td></tr><tr><td>Dosing pump:</td><td>digital, DDA integriert</td></tr></table> <p data-bbox="204 1659 368 1686">Electrical data:</p> <table data-bbox="204 1688 683 1776"><tr><td>Mains frequency:</td><td>50 / 60 Hz</td></tr><tr><td>Rated voltage: 230 V</td><td></td></tr><tr><td>Enclosure class (IEC 34-5):</td><td>IP65</td></tr></table> <p data-bbox="204 1809 320 1836">Sonstiges:</p> <table data-bbox="204 1839 676 1899"><tr><td>Dimensions (WxHxD, mm):</td><td>765 x 765 x 328</td></tr><tr><td>Net weight:</td><td>26 kg</td></tr></table>	Generator capacity ClO <sub>2</sub> :	5 g/h	Dosing pump:	digital, DDA integriert	Mains frequency:	50 / 60 Hz	Rated voltage: 230 V		Enclosure class (IEC 34-5):	IP65	Dimensions (WxHxD, mm):	765 x 765 x 328	Net weight:	26 kg
Generator capacity ClO <sub>2</sub> :	5 g/h														
Dosing pump:	digital, DDA integriert														
Mains frequency:	50 / 60 Hz														
Rated voltage: 230 V															
Enclosure class (IEC 34-5):	IP65														
Dimensions (WxHxD, mm):	765 x 765 x 328														
Net weight:	26 kg														

Name des Unternehmens:

Angelegt von:

Telefon:

Datum:

18.01.2024

Projekt:

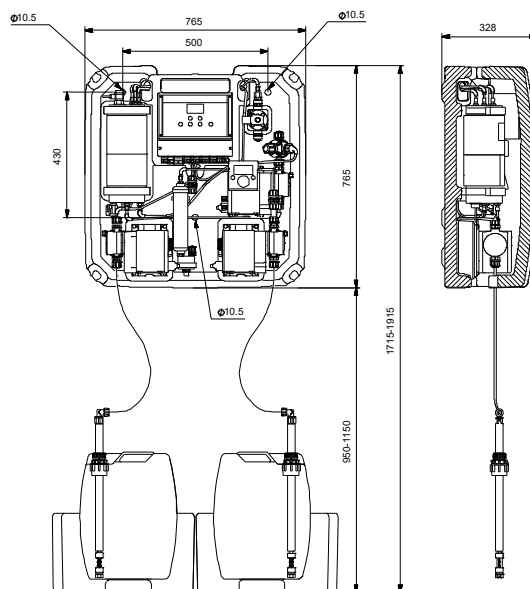
Referenznummer:

Kunde:

Kundennummer:

Kontakt:

Beschreibung	Daten
<b>Allgemeine Informationen:</b>	
Produktbezeichnung:	OCD-162-5-S/G
Produktnummer:	auf Anfr.
EAN-Nummer:	auf Anfr.
<b>Technische Daten:</b>	
Max. Leistung:	7.5 l/h
Max. Leistung:	5 g/h
Dosierpumpe:	digital, DDA integriert
Saugleitungen:	30 l
<b>Elektrische Daten:</b>	
Netzfrequenz:	50 / 60 Hz
Bemessungsspannung:	x 230 V
Schutzart (gemäß IEC 34-5):	IP65
<b>Sonstiges:</b>	
Nettogewicht:	26 kg
Herkunftsland:	DE
Zolltarif Nr.:	84798997



## auf Anfr. OCD-162-5-S/G

