
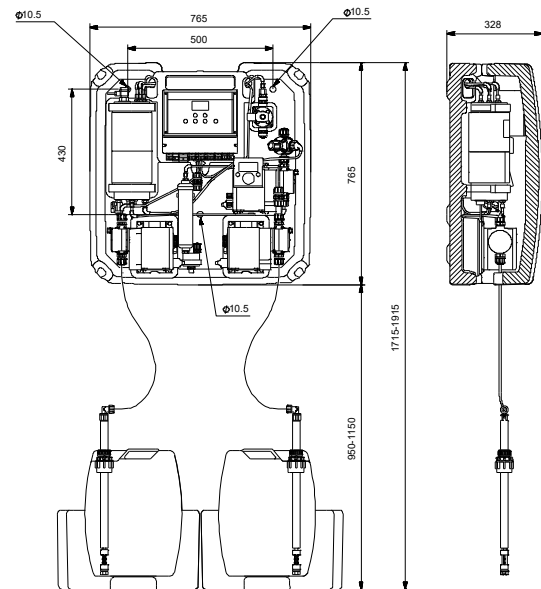


Anz.	Beschreibung														
1	<p data-bbox="204 450 395 479">OCD-162-10-S/G</p>  <p data-bbox="596 795 1050 819" style="text-align: center;">Hinweis! Abbildung kann vom Produkt abweichen.</p> <p data-bbox="204 828 437 853">Produktnr.: auf Anfr.</p> <p data-bbox="204 889 1445 938">Compact pre-mounted generation and dosing system for chlorine dioxide according to sodium chlorite / hydrochloric acid method with chemicals-saving and corrosion-protective 1:1 mixture ratio.</p> <p data-bbox="204 947 1445 1021">The system is equipped with microprocessor control and integrated measuring amplifier. Therefore the chlorine dioxide solution can be optionally dosed proportional to flow or measurement controlled. Input comes from a contact water meter or a continuous signal from a water meter and a chlorine dioxide measuring cell.</p> <p data-bbox="204 1032 1398 1081">The compact design of the system enables easy use and safe, reliable operation. Front installation of all system components makes maintenance fast and less expensive.</p> <p data-bbox="204 1090 1423 1140">Only 7.5 weight-% sodium chlorite solution acc. to DIN 19617 and 9 weight-% hydrochloric acid acc. to DIN 19610 shall be used.</p> <p data-bbox="204 1149 1347 1198">A corrosion resistant injection point has to be used to reduce the risk of corrosion in the installation system. Alternatively the optional bypass mixing module from Grundfos Alldos is available.</p> <p data-bbox="204 1207 1347 1232">The unit can be supplied as option with an external chlorine dioxide batch tank for additional peak demand.</p> <p data-bbox="204 1267 400 1292">Scope of delivery:</p> <ul data-bbox="204 1296 560 1413" style="list-style-type: none"><li data-bbox="204 1296 464 1321">ClO₂ generation system<li data-bbox="204 1326 560 1350">Two pre-assembled suction lines<li data-bbox="204 1355 400 1379">Mounting material<li data-bbox="204 1384 384 1408">Protective cover <p data-bbox="204 1444 373 1469">Technical data:</p> <p data-bbox="204 1473 978 1498">Connection for dilution water: hose connector 6/9 mm or PVC pipe DN 8</p> <p data-bbox="204 1503 932 1527">Connection for ClO₂ dosing: tubing connector 4/6, 6/9 and 9/12 mm</p> <table data-bbox="204 1563 799 1624"><tr><td data-bbox="204 1563 480 1588">Generator capacity ClO₂:</td><td data-bbox="571 1563 639 1588">10 g/h</td></tr><tr><td data-bbox="204 1592 357 1617">Dosing pump:</td><td data-bbox="571 1592 799 1617">digital, DDA integriert</td></tr></table> <p data-bbox="204 1655 368 1680">Electrical data:</p> <table data-bbox="204 1684 683 1774"><tr><td data-bbox="204 1684 389 1709">Mains frequency:</td><td data-bbox="571 1684 683 1709">50 / 60 Hz</td></tr><tr><td data-bbox="204 1713 432 1738">Rated voltage: 230 V</td><td></td></tr><tr><td data-bbox="204 1742 501 1767">Enclosure class (IEC 34-5):</td><td data-bbox="571 1742 624 1767">IP65</td></tr></table> <p data-bbox="204 1809 320 1834">Sonstiges:</p> <table data-bbox="204 1839 676 1899"><tr><td data-bbox="204 1839 676 1863">Dimensions (WxHxD, mm):</td><td data-bbox="204 1839 676 1863">765 x 765 x 328</td></tr><tr><td data-bbox="204 1868 320 1892">Net weight:</td><td data-bbox="571 1868 624 1892">28 kg</td></tr></table>	Generator capacity ClO ₂ :	10 g/h	Dosing pump:	digital, DDA integriert	Mains frequency:	50 / 60 Hz	Rated voltage: 230 V		Enclosure class (IEC 34-5):	IP65	Dimensions (WxHxD, mm):	765 x 765 x 328	Net weight:	28 kg
Generator capacity ClO ₂ :	10 g/h														
Dosing pump:	digital, DDA integriert														
Mains frequency:	50 / 60 Hz														
Rated voltage: 230 V															
Enclosure class (IEC 34-5):	IP65														
Dimensions (WxHxD, mm):	765 x 765 x 328														
Net weight:	28 kg														

Beschreibung	Daten
Allgemeine Informationen:	
Produktbezeichnung:	OCD-162-10-S/G
Produktnummer:	auf Anfr.
EAN-Nummer:	auf Anfr.
Technische Daten:	
Max. Leistung:	7.5 l/h
Max. Leistung:	10 g/h
Dosierpumpe:	digital, DDA integriert
Saugleitungen:	30 l
Elektrische Daten:	
Netzfrequenz:	50 / 60 Hz
Bemessungsspannung:	x 230 V
Schutzart (gemäß IEC 34-5):	IP65
Sonstiges:	
Nettogewicht:	28 kg
Herkunftsland:	DE
Zolltarif Nr.:	84798997



auf Anfr. OCD-162-10-S/G

