
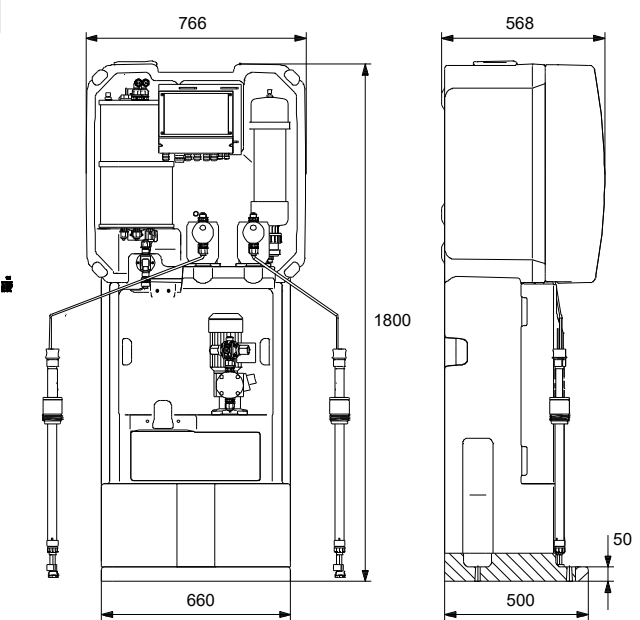


Anz.	Beschreibung														
1	<p data-bbox="204 450 406 481">OCD-162-30-P/G1</p> <div data-bbox="327 497 464 808"></div> <p data-bbox="598 792 1050 819" style="text-align: center;">Hinweis! Abbildung kann vom Produkt abweichen.</p> <p data-bbox="204 826 435 853">Produktnr.: auf Anfr.</p> <p data-bbox="204 889 1445 938">Compact pre-mounted generation and dosing system for chlorine dioxide according to sodium chlorite / hydrochloric acid method with chemicals-saving and corrosion-protective 1:1 mixture ratio.</p> <p data-bbox="204 945 1445 1021">The system is equipped with microprocessor control and integrated measuring amplifier. Therefore the chlorine dioxide solution can be optionally dosed proportional to flow or measurement controlled. Input comes from a contact water meter or a continuous signal from a water meter and a chlorine dioxide measuring cell.</p> <p data-bbox="204 1030 1369 1081">The compact design of the system as floor-standing unit enables easy use and safe, reliable operation. Front installation of all system components makes maintenance fast and less expensive.</p> <p data-bbox="204 1088 1445 1140">Only 7.5 weight-% sodium chlorite solution acc. to DIN EN 938 and 9 weight-% hydrochloric acid acc. to DIN EN 939 shall be used.</p> <p data-bbox="204 1146 1347 1198">A corrosion resistant injection point has to be used to reduce the risk of corrosion in the installation system. Alternatively the optional bypass mixing module from Grundfos is available.</p> <p data-bbox="204 1205 1347 1232">The unit can be supplied as option with an external chlorine dioxide batch tank for additional peak demand.</p> <p data-bbox="204 1265 400 1292">Scope of delivery:</p> <ul data-bbox="204 1294 699 1411" style="list-style-type: none">CIO₂ generation system in floor-standing rackTwo pre-assembled suction linesMounting materialProtective cover <p data-bbox="204 1444 371 1471">Technical data:</p> <p data-bbox="204 1473 978 1500">Connection for dilution water: hose connector 6/9 mm or PVC pipe DN 8</p> <p data-bbox="204 1503 932 1529">Connection for CIO₂ dosing: tubing connector 4/6, 6/9 and 9/12 mm</p> <table data-bbox="204 1563 791 1624"><tr><td>Generator capacity CIO₂:</td><td>30 g/h</td></tr><tr><td>Dosing pump:</td><td>digital, DDI integriert</td></tr></table> <p data-bbox="204 1657 368 1684">Electrical data:</p> <table data-bbox="204 1686 683 1774"><tr><td>Mains frequency:</td><td>50 / 60 Hz</td></tr><tr><td>Rated voltage: 230 V</td><td></td></tr><tr><td>Enclosure class (IEC 34-5):</td><td>IP65</td></tr></table> <p data-bbox="204 1807 320 1834">Sonstiges:</p> <table data-bbox="204 1836 691 1897"><tr><td>Dimensions (WxHxD, mm):</td><td>766 x 1813 x 560</td></tr><tr><td>Net weight:</td><td>70 kg</td></tr></table>	Generator capacity CIO ₂ :	30 g/h	Dosing pump:	digital, DDI integriert	Mains frequency:	50 / 60 Hz	Rated voltage: 230 V		Enclosure class (IEC 34-5):	IP65	Dimensions (WxHxD, mm):	766 x 1813 x 560	Net weight:	70 kg
Generator capacity CIO ₂ :	30 g/h														
Dosing pump:	digital, DDI integriert														
Mains frequency:	50 / 60 Hz														
Rated voltage: 230 V															
Enclosure class (IEC 34-5):	IP65														
Dimensions (WxHxD, mm):	766 x 1813 x 560														
Net weight:	70 kg														

Beschreibung	Daten
Allgemeine Informationen:	
Produktbezeichnung:	OCD-162-30-P/G1
Produktnummer:	auf Anfr.
EAN-Nummer:	auf Anfr.
Technische Daten:	
Max. Leistung:	60 l/h
Max. Leistung:	30 g/h
Dosierpumpe:	digital, DDI integriert
Saugleitungen:	60 l
Elektrische Daten:	
Netzfrequenz:	50 / 60 Hz
Bemessungsspannung:	x 230 V
Schutzart (gemäß IEC 34-5):	IP65
Sonstiges:	
Nettogewicht:	70 kg
Herkunftsland:	DE
Zolltarif Nr.:	84798997



Oxiperm pro 30g

auf Anfr. OCD-162-30-P/G1

