

Anz.	Beschreibung
1	<p data-bbox="199 448 375 481">Measuring cell</p> <div data-bbox="327 571 470 817" style="text-align: center;">  </div> <p data-bbox="598 795 1045 817" style="text-align: center;">Hinweis! Abbildung kann vom Produkt abweichen.</p> <p data-bbox="199 828 893 918"> Produktnr.: auf Anfr. AQC-D11, P-AU-X-X, QS-T-G Pressure-proof measuring cell with motorized electrode cleaning </p> <p data-bbox="199 952 965 1187"> The modular measuring cell AQC-D11 is specially designed for disinfection processes. The unit features integrated filter cartridge, regulating device, integrated temperature measurement and motorized cleaning. Special features: Proven potentiostatic 3-electrode measuring method for measurement directly in the sample water, optimized electrode cleaning, special measuring chamber with calibration cup for pH single-rod probe and redox (ORP) electrode, ready for wall-mounting connection, fastening kit included. </p> <p data-bbox="199 1220 941 1276"> Monitoring parameters: chlorine, chlorine dioxide or ozone, optionally equipped with sensors pH, redox (ORP); temperature. </p> <p data-bbox="199 1310 1133 1400"> measuring cell cell type: druckbeaufschlagt, Reinigungsmotor (Cl2, ClO2, O3) cleaning motor </p> <p data-bbox="199 1433 399 1456">measuring ranges</p> <p data-bbox="199 1612 853 1724"> documentation Instruction manual, multilingual, AQC-D11, Dutch, English French, Italian, Polish, Portuguese, Russian, Spanish Turkish, German </p>

Projekt:

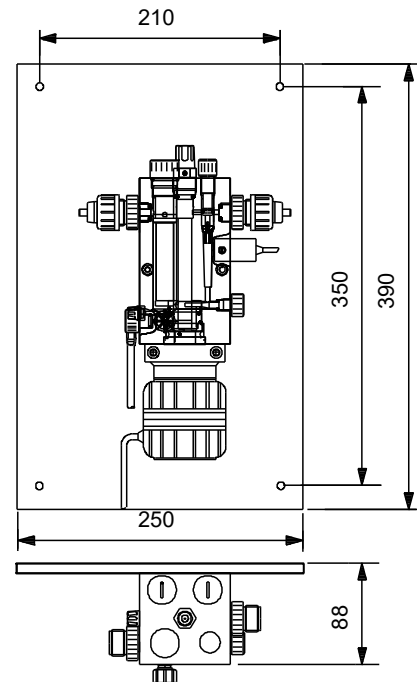
Referenznummer:

Kunde:

Kundennummer:

Kontakt:

Beschreibung	Daten
Allgemeine Informationen:	
Produktbezeichnung:	AQC-D11, P-AU-X-X, QS-T-G
Produktnummer:	auf Anfr.
EAN-Nummer:	auf Anfr.
Technische Daten:	
Typenschlüssel:	AQC-D11, P-AU-X-X, QS-T-G
Art der Steuerung:	
Messzelle:	druckbeaufschlagt, Reinigungsmotor (Cl2, ClO2, O3)
Sensortyp:	AQC-D11



auf Anfr. AQC-D11, P-AU-X-X, QS-T-G

