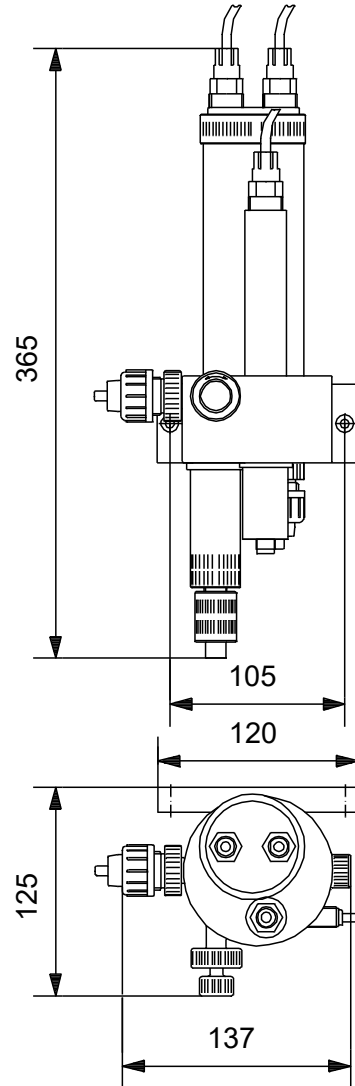


Anz.	Beschreibung
1	<p data-bbox="199 450 375 481">Measuring cell</p> <div data-bbox="319 492 462 817" style="text-align: center;">  </div> <p data-bbox="598 795 1045 817" style="text-align: center;">Hinweis! Abbildung kann vom Produkt abweichen.</p> <p data-bbox="199 828 877 952"> Produktnr.: auf Anfr. AQC-D12, P-AU-X-X, QS-T-X Pressure-proof measuring cell with hydromechanical electrode cleaning </p> <p data-bbox="199 974 965 1243"> The modular measuring cell AQC-D12 is specially designed for disinfection processes. The unit features integrated water sensor, filter cartridge, regulating device, integrated temperature measurement and hydromechanical cleaning. Special features: Proven potentiostatic 3-electrode measuring method for measurement directly in the sample water, optimized electrode cleaning, special measuring chamber with calibration cup for pH single-rod probe and redox (ORP) electrode, ready for wall-mounting connection, fastening kit included. Prepared for later assembly of cleaning motor (upgrade-kit). </p> <p data-bbox="199 1265 877 1332"> Monitoring parameters: chlorine, chlorine dioxide or ozone and equipped with optional sensors pH, redox (ORP); temperature. </p> <p data-bbox="199 1355 1157 1456"> measuring cell cell type: druckbeaufschl., hydromech. Reinigung (Cl₂, ClO₂, O₃) cleaning motor </p> <p data-bbox="199 1478 406 1512">measuring ranges</p> <p data-bbox="199 1657 853 1780"> documentation Instruction manual, multilingual, AQC-D12, Dutch, English French, Italian, Polish, Portuguese, Russian, Spanish Turkish, Slovenian, German </p>

Beschreibung	Daten
Allgemeine Informationen:	
Produktbezeichnung:	AQC-D12, P-AU-X-X, QS-T-X
Produktnummer:	auf Anfr.
EAN-Nummer:	auf Anfr.
Technische Daten:	
Typenschlüssel:	AQC-D12, P-AU-X-X, QS-T-X
Art der Steuerung:	
Messzelle:	druckbeaufschl., hydromech. Reinigung (Cl2, ClO2, O3)
Sensortyp:	AQC-D12



auf Anfr. AQC-D12, P-AU-X-X, QS-T-X

