

Submittal Data

| | | |
|-----------------------|------------------|-------------|
| PROJECT: | UNIT TAG: | QUANTITY: |
| REPRESENTATIVE: _____ | TYPE OF SERVICE: | DATE: _____ |
| ENGINEER: | SUBMITTED BY: | DATE: |
| CONTRACTOR: | APPROVED BY: | DATE: |
| | ORDER NO.: | DATE: |

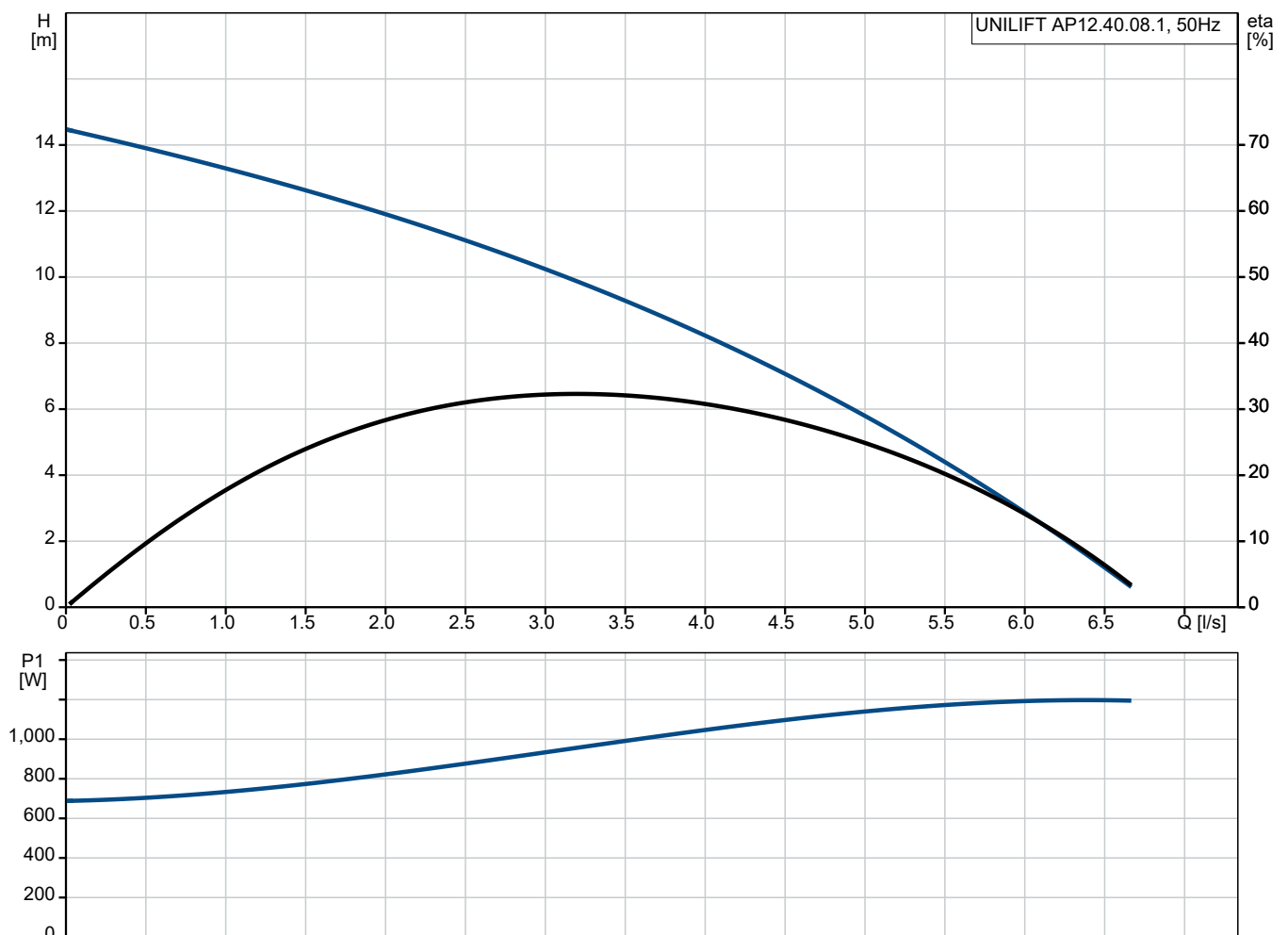


UNILIFT AP12.40.08.1

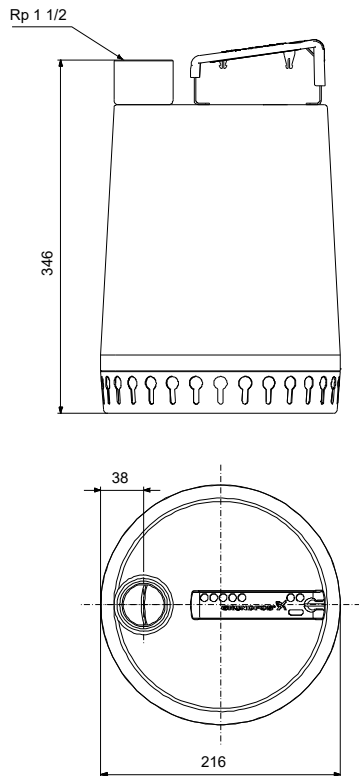
UNILIFT AP12 is a stainless-steel submersible pump designed for pumping non-aggressive water and grey wastewater with particles up to 12 mm. It can be used as a portable unit or stationary installation.

Note! Product picture may differ from actual product

| Conditions of Service | Pump Data | Motor Data |
|-------------------------|--|--|
| Specific Gravity: 1.000 | Liquid temperature range: 0 .. 55 °C Maximum ambient temperature: 55 °C Product number: On request | Mains frequency: 50 Hz Enclosure class: IP68 Motor protection: CONTACT Thermal protection: internal |



Submittal Data



Materials:

Pump housing: Stainless steel

Pump housing: AISI 304

Impeller: Stainless steel

Impeller: AISI 304

Impeller: EN 1.4301

Qty. Description

1 UNILIFT AP12.40.08.1



Note! Product picture may differ from actual product

Product No.: On request
Submersible drainage pump type

Vertical single-stage stainless steel submersible pump with vertical discharge port and integrated submersible 1-phase totally enclosed motor in insulation class F with thermal overload protection. The pump is fitted with a suction strainer.

The impeller is a SEMI OPEN impeller for 12 mm free passage suitable for pumping groundwater, surface water, rain water and similar.

The pump has a double shaft seal and an intermediate oil chamber pre-filled with non-toxic special oil.

The pump has a riser pipe, a cooling jacket for continuous cooling of the motor by the pumped liquid and long-life deep-groove greased-for-life ball bearings.

The pump is ready for use as it is fitted with carrying handle and is supplied with a 10 m mains cable. The mains cable is of the plug type with glass sealing compound in the socket to prevent penetration of humidity into the stator windings.

Liquid:
Liquid temperature range: 0 .. 55 °C
Density: 998.2 kg/m³

Technical:
Maximum flow: 5.83 l/s
Type of impeller: SEMI OPEN
Max. Particle: 12 mm
Approvals: CE,RCM,VDE,LGABG,EAC,TUVRHWID,MORO,UKCA,SEPRO

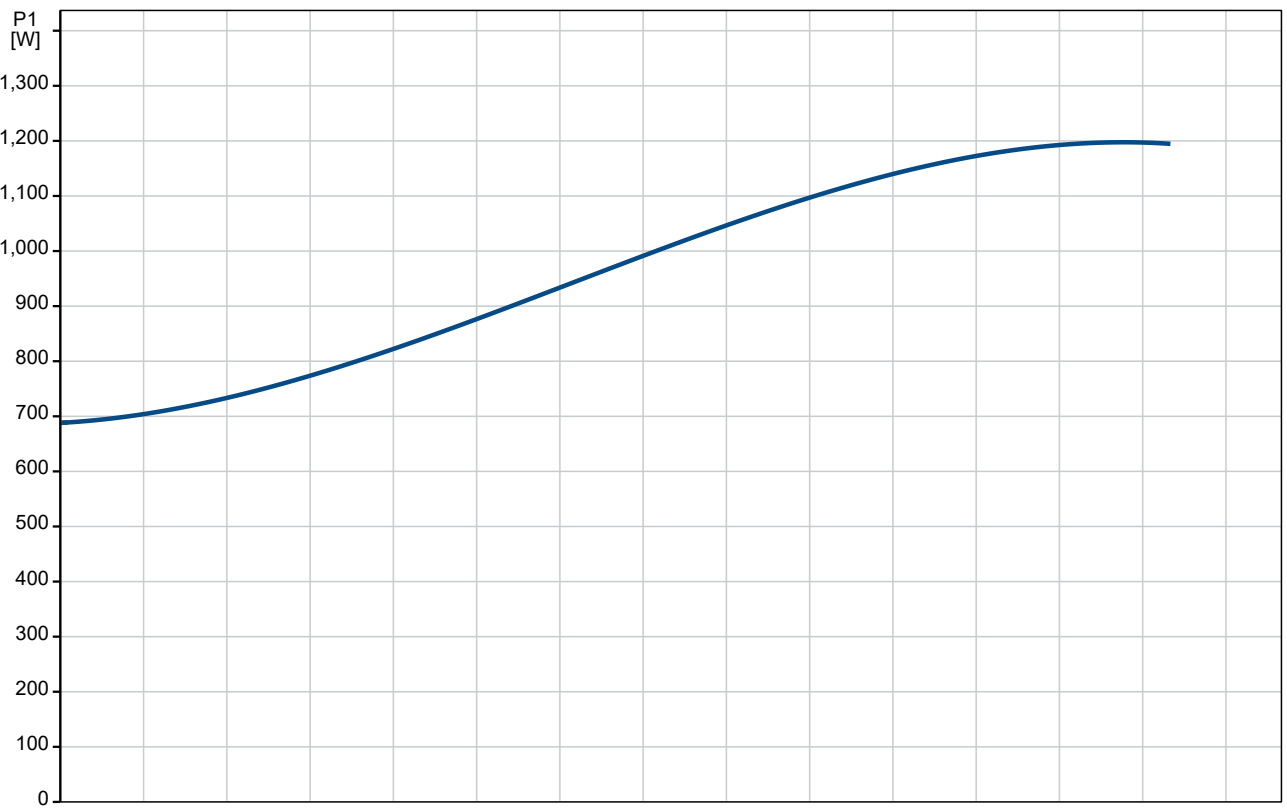
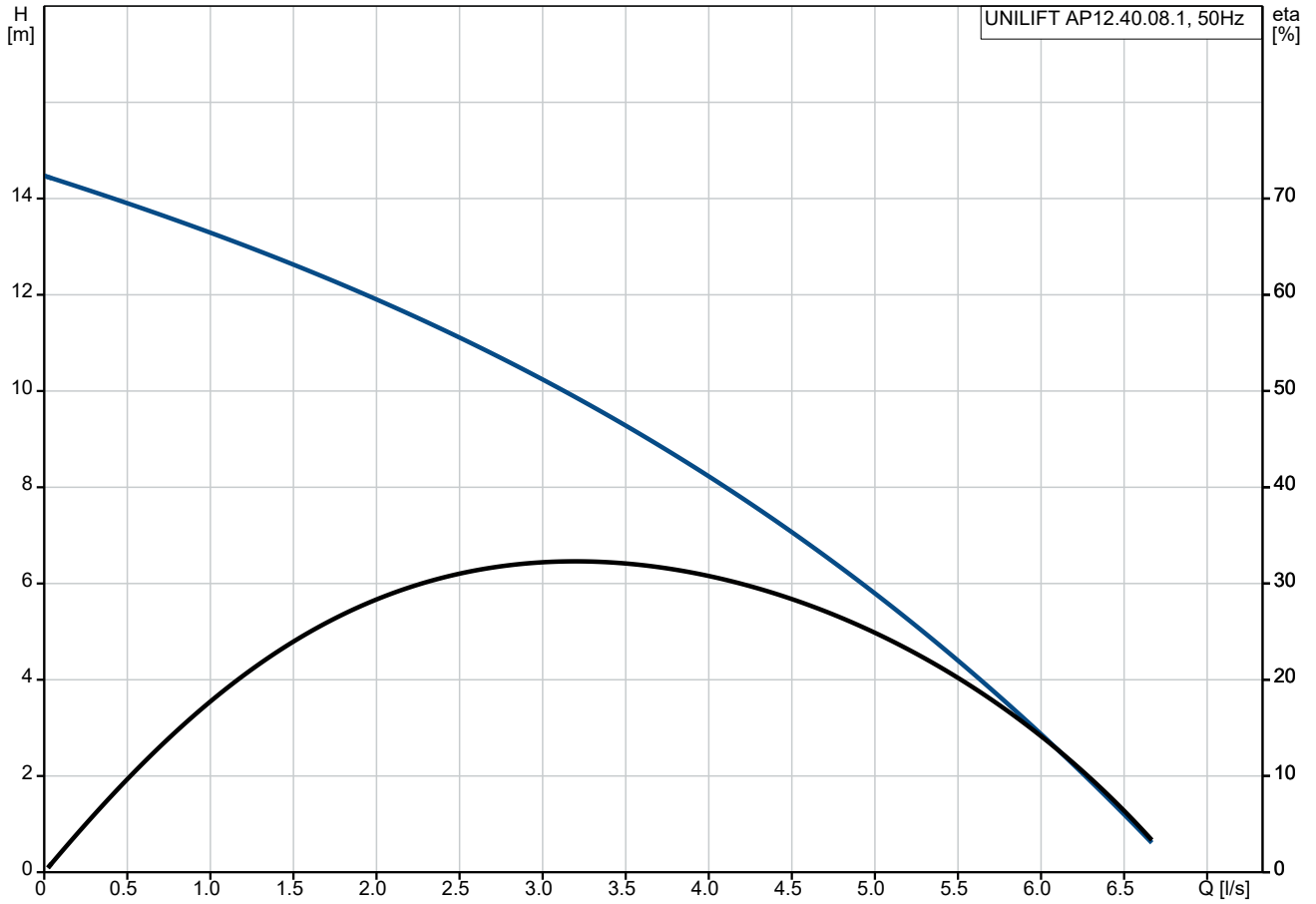
Materials:
Pump housing: Stainless steel
EN 1.4301
AISI 304

Impeller: Stainless steel

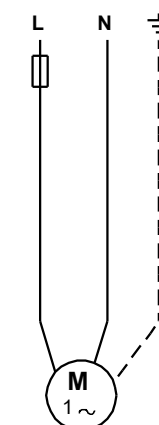
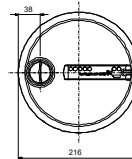
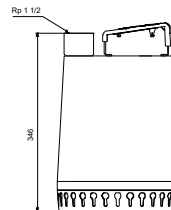
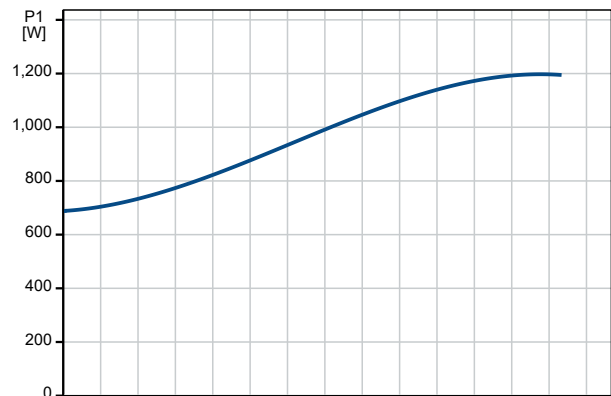
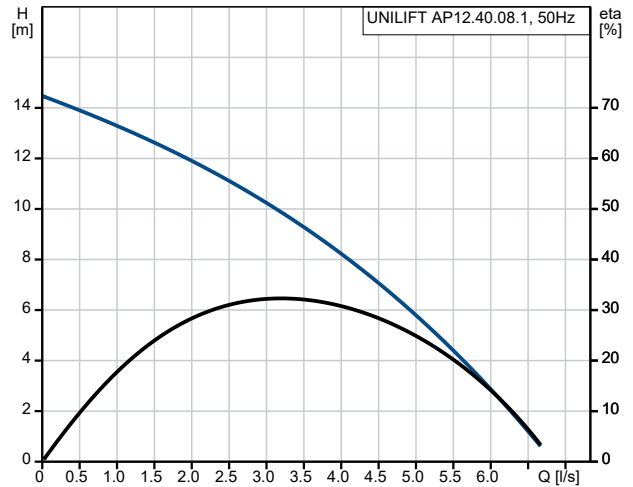
Qty. Description

| | |
|---|---|
| 1 | <p>EN 1.4301 AISI 304 Cable union: Brass CW602N C35330</p> <p>Installation: Range of ambient temperature: 0 .. 55 °C Type of connection: Rp Size of connection: 1 1/2 inch Maximum installation depth: 7 m Place of installation: Indoor/outdoor</p> <p>Electrical data: Power input P1: 1.3 kW Motor type 1-phase: PSC Rated power - P2: 0.8 kW Mains frequency: 50 Hz Rated voltage: 1 x 230 V Rated current: 5.9 A Cos phi - power factor: 0.99 Rated speed: 2780 rpm Capacitor size - run: 16 µF/400 V Enclosure class (IEC 34-5): IP68 Insulation class (IEC 85): F Length of power cable: 10 m Type of cable plug: SCHUKO</p> <p>Others: Net weight: 15 kg Gross weight: 15.5 kg Danish VVS No.: 391313131 Swedish RSK No.: 5885778 Finnish LVI No.: 4822532 Norwegian NRF no.: 9045613 Country of origin: HU Custom tariff no.: 84137021 Environmental approvals: WEEE</p> |
|---|---|

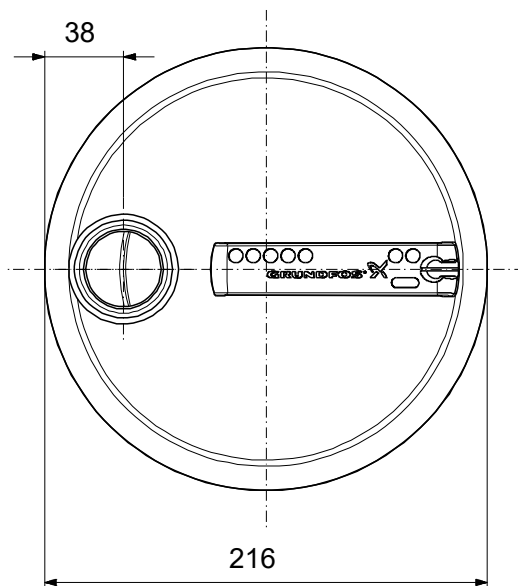
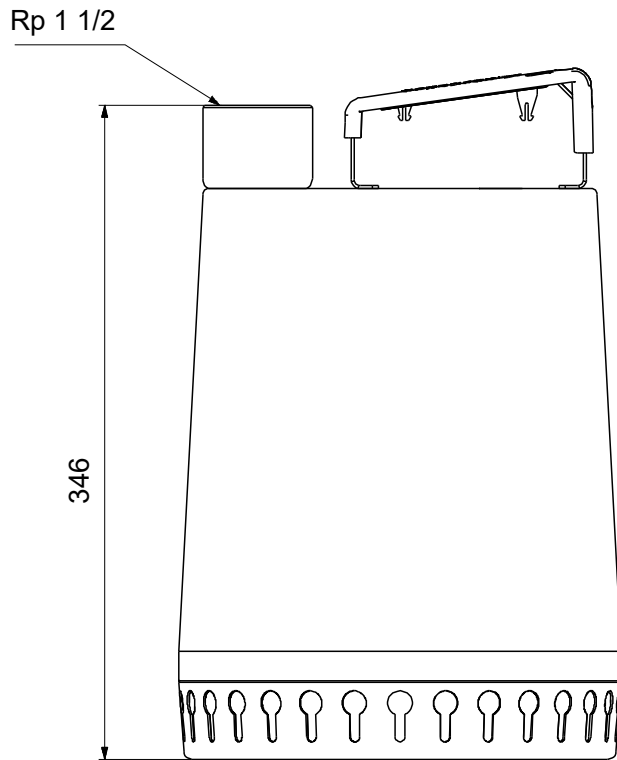
On request UNILIFT AP12.40.08.1 50 Hz



| Description | Value |
|-------------------------------|--|
| General information: | |
| Product name: | UNILIFT AP12.40.08.1 |
| Product No: | On request |
| EAN number: | On request |
| Technical: | |
| Maximum flow: | 5.83 l/s |
| Maximum head: | 15 m |
| Type of impeller: | SEMI OPEN |
| Max. Particle: | 12 mm |
| Approvals: | CE,RCM,VDE,LGABG,EAC,TUV RHWID,MORO,UKCA,SEPRO |
| Materials: | |
| Pump housing: | Stainless steel |
| Pump housing: | EN 1.4301 |
| Pump housing: | AISI 304 |
| Impeller: | Stainless steel |
| Impeller: | EN 1.4301 |
| Impeller: | AISI 304 |
| Cable union: | Brass |
| Cable union: | CW602N |
| Cable union: | C35330 |
| Installation: | |
| Range of ambient temperature: | 0 .. 55 °C |
| Type of connection: | Rp |
| Size of connection: | 1 1/2 inch |
| Maximum installation depth: | 7 m |
| Inst dry/wet: | D/S |
| Installation: | horizontal or vertical |
| Place of installation: | Indoor/outdoor |
| Liquid: | |
| Liquid temperature range: | 0 .. 55 °C |
| Density: | 998.2 kg/m ³ |
| Electrical data: | |
| Power input P1: | 1.3 kW |
| Motor type 1-phase: | PSC |
| Rated power - P2: | 0.8 kW |
| Mains frequency: | 50 Hz |
| Rated voltage: | 1 x 230 V |
| Rated current: | 5.9 A |
| Cos phi - power factor: | 0.99 |
| Rated speed: | 2780 rpm |
| Capacitor size - run: | 16 µF/400 V |
| Enclosure class (IEC 34-5): | IP68 |
| Insulation class (IEC 85): | F |
| Built-in motor protection: | CONTACT |
| Thermal protec: | internal |
| Length of power cable: | 10 m |
| Type of cable plug: | SCHUKO |
| Others: | |
| Net weight: | 15 kg |
| Gross weight: | 15.5 kg |
| Danish VVS No.: | 391313131 |
| Swedish RSK No.: | 5885778 |
| Finnish LVI No.: | 4822532 |
| Norwegian NRF no.: | 9045613 |
| Country of origin: | HU |
| Custom tariff no.: | 84137021 |
| Environmental approvals: | WEEE |



On request UNILIFT AP12.40.08.1 50 Hz



Note! All units are in [mm] unless others are stated.
Disclaimer: This simplified dimensional drawing does not show all details.

On request UNILIFT AP12.40.08.1 50 Hz



Note! All units are in [mm] unless others are stated.

