

Submittal Data

PROJECT:	UNIT TAG:	QUANTITY:
REPRESENTATIVE: _____	TYPE OF SERVICE:	DATE: _____
ENGINEER:	SUBMITTED BY:	DATE:
CONTRACTOR:	APPROVED BY:	DATE:
	ORDER NO.:	DATE:

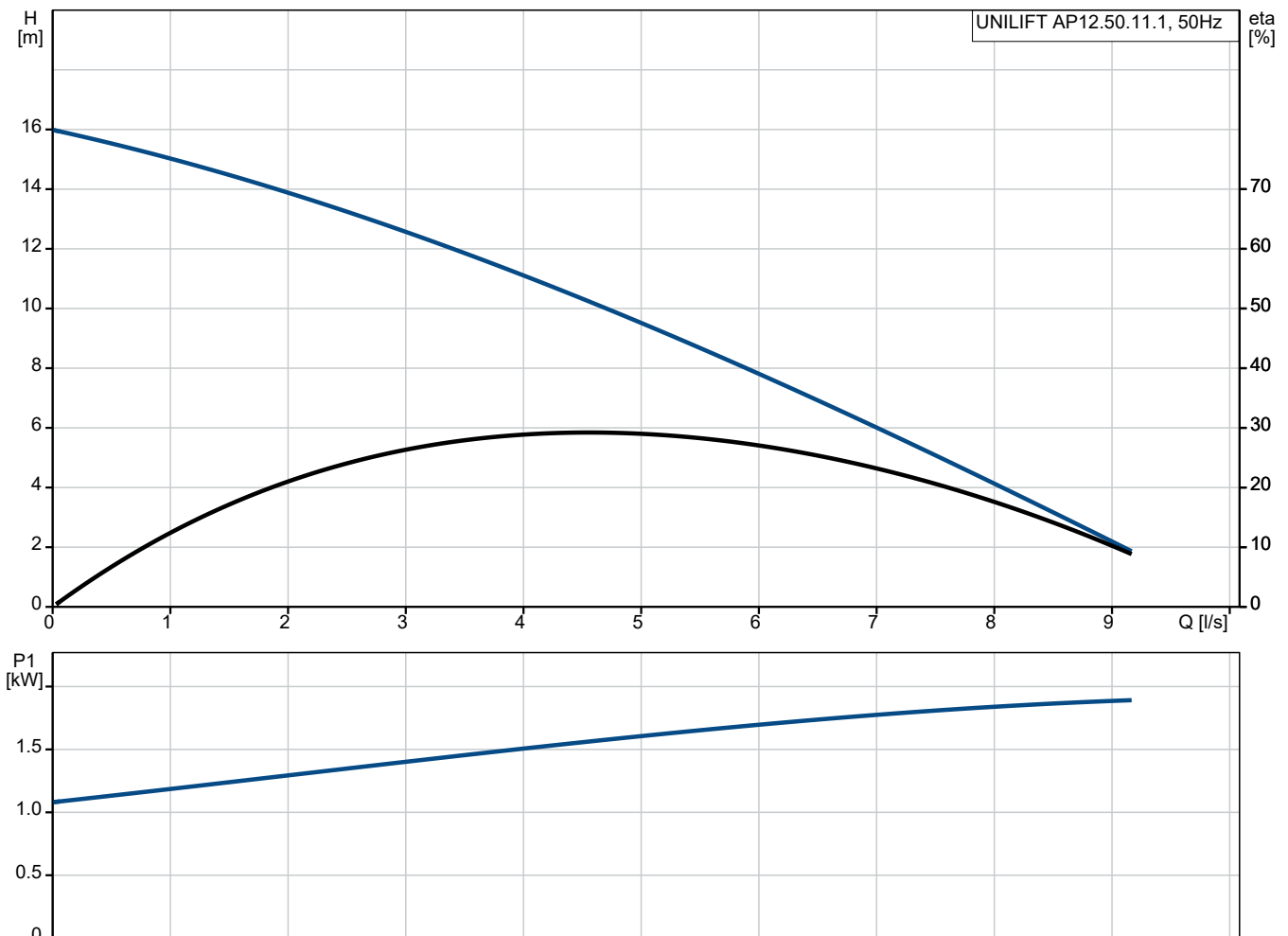


UNILIFT AP12.50.11.1

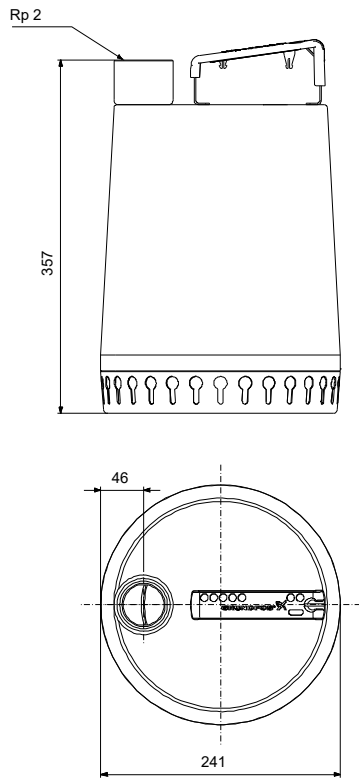
UNILIFT AP12 is a stainless-steel submersible pump designed for pumping non-aggressive water and grey wastewater with particles up to 12 mm. It can be used as a portable unit or stationary installation.

Note! Product picture may differ from actual product

Conditions of Service	Pump Data	Motor Data
Specific Gravity: 1.000	Liquid temperature range: 0 .. 55 °C Maximum ambient temperature: 55 °C Product number: On request	Mains frequency: 50 Hz Enclosure class: IP68 Motor protection: CONTACT Thermal protection: internal



Submittal Data



Materials:

Pump housing: Stainless steel

Pump housing: AISI 304

Impeller: Stainless steel

Impeller: AISI 304

Impeller: EN 1.4301

Qty. Description

1 UNILIFT AP12.50.11.1



Note! Product picture may differ from actual product

Product No.: On request
Submersible drainage pump type

Vertical single-stage stainless steel submersible pump with vertical discharge port and integrated submersible 1-phase totally enclosed motor in insulation class F with thermal overload protection. The pump is fitted with a suction strainer.

The impeller is a SEMI OPEN impeller for 12 mm free passage suitable for pumping groundwater, surface water, rain water and similar.

The pump has a double shaft seal and an intermediate oil chamber pre-filled with non-toxic special oil.

The pump has a riser pipe, a cooling jacket for continuous cooling of the motor by the pumped liquid and long-life deep-groove greased-for-life ball bearings.

The pump is ready for use as it is fitted with carrying handle and is supplied with a 10 m mains cable. The mains cable is of the plug type with glass sealing compound in the socket to prevent penetration of humidity into the stator windings.

Liquid:
Liquid temperature range: 0 .. 55 °C
Density: 998.2 kg/m³

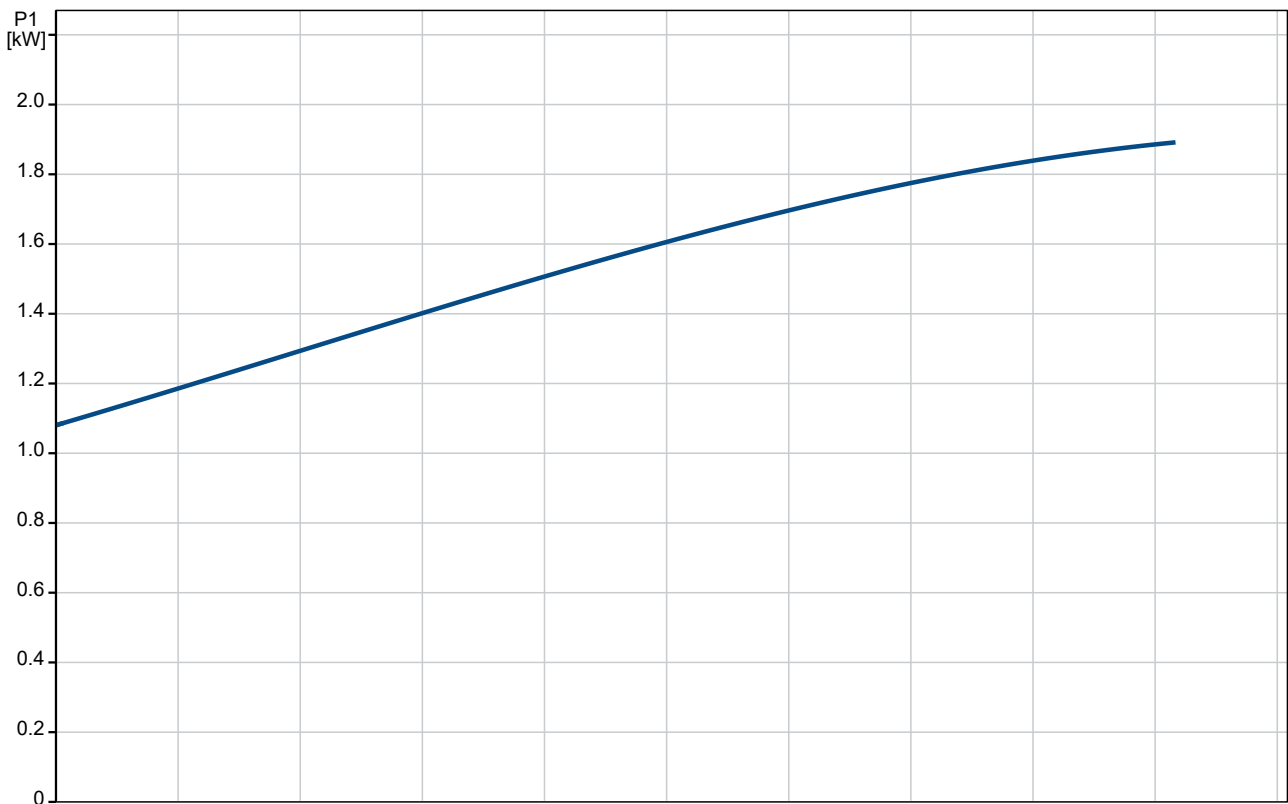
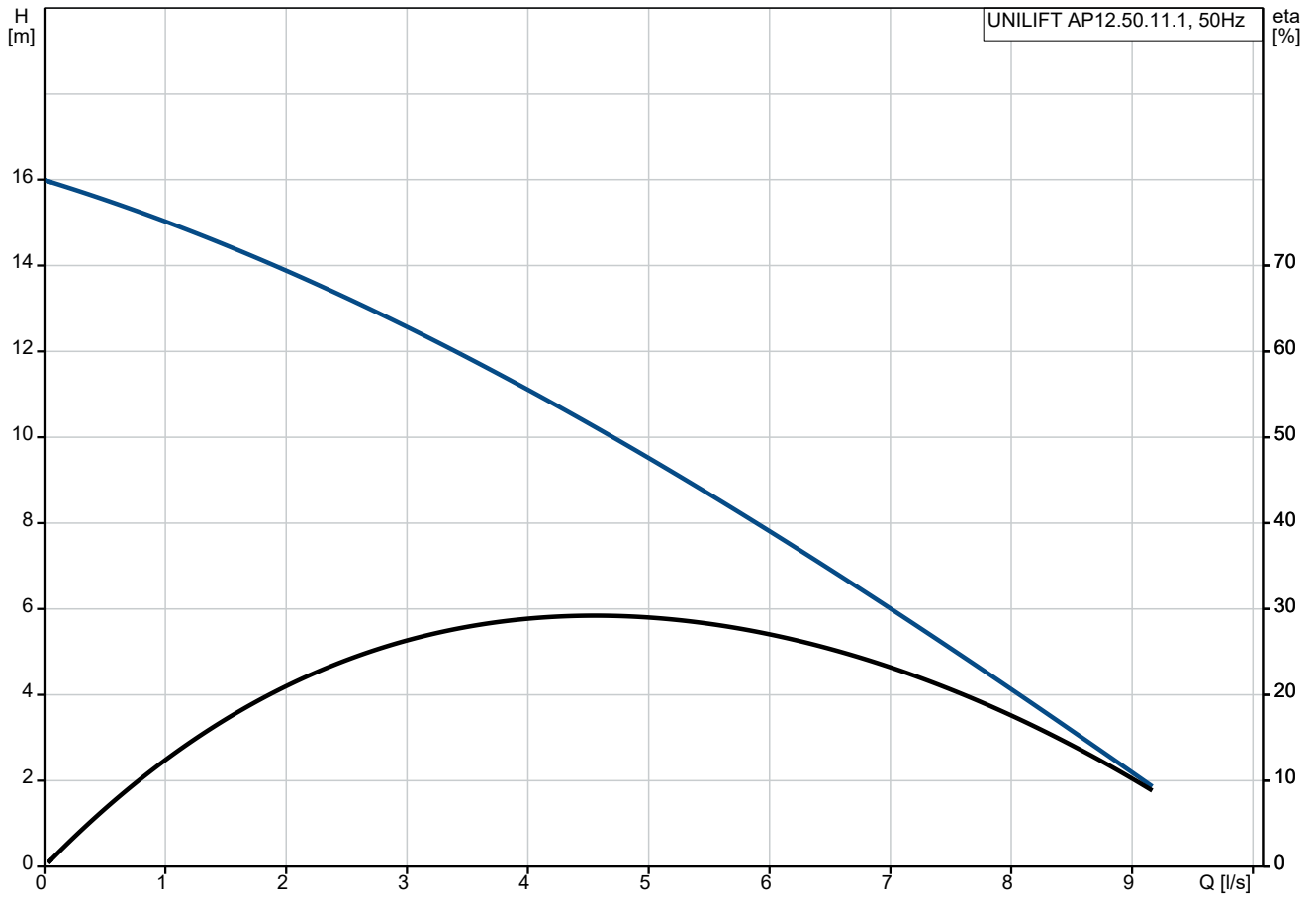
Technical:
Maximum flow: 8.33 l/s
Type of impeller: SEMI OPEN
Max. Particle: 12 mm
Approvals: CE,RCM,VDE,LGABG,EAC,TUVRHWID,MORO,UKCA,SEPRO

Materials:
Pump housing: Stainless steel
EN 1.4301
AISI 304

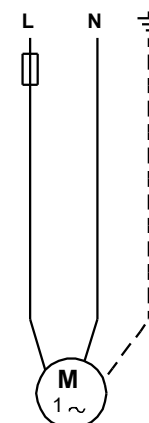
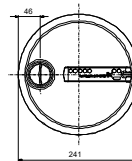
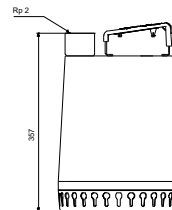
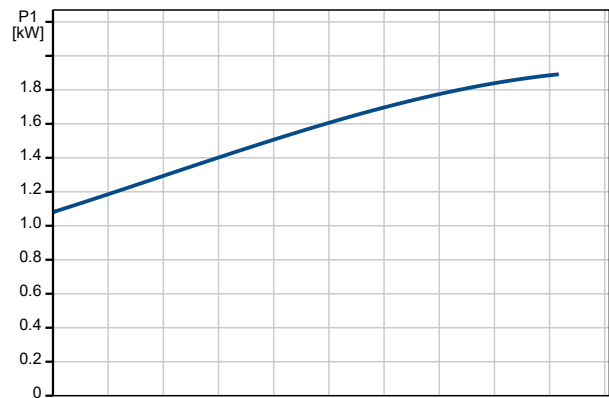
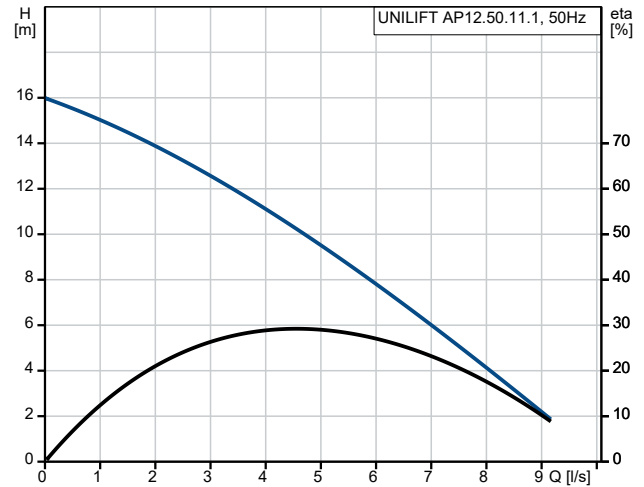
Impeller: Stainless steel

Qty.	Description
1	<p data-bbox="568 342 679 365">EN 1.4301</p> <p data-bbox="568 371 660 394">AISI 304</p> <p data-bbox="204 400 336 423">Cable union:</p> <p data-bbox="568 400 628 423">Brass</p> <p data-bbox="568 430 667 452">CW602N</p> <p data-bbox="568 459 651 481">C35330</p> <p data-bbox="204 524 325 546">Installation:</p> <p data-bbox="204 553 667 575">Range of ambient temperature: 0 .. 55 °C</p> <p data-bbox="204 582 596 604">Type of connection: Rp</p> <p data-bbox="204 611 632 633">Size of connection: 2 inch</p> <p data-bbox="204 640 608 663">Maximum installation depth: 7 m</p> <p data-bbox="204 672 724 694">Place of installation: Indoor/outdoor</p> <p data-bbox="204 736 360 759">Electrical data:</p> <p data-bbox="204 766 641 788">Power input P1: 1.7 kW</p> <p data-bbox="204 795 616 817">Motor type 1-phase: PSC</p> <p data-bbox="204 824 641 846">Rated power - P2: 1.1 kW</p> <p data-bbox="204 853 632 875">Mains frequency: 50 Hz</p> <p data-bbox="204 882 670 904">Rated voltage: 1 x 230 V</p> <p data-bbox="204 911 624 934">Rated current: 8.5 A</p> <p data-bbox="204 940 616 963">Cos phi - power factor: 0.92</p> <p data-bbox="204 969 670 992">Rated speed: 2760 rpm</p> <p data-bbox="204 999 699 1021">Capacitor size - run: 20 µF/400 V</p> <p data-bbox="204 1028 616 1050">Enclosure class (IEC 34-5): IP68</p> <p data-bbox="204 1057 580 1079">Insulation class (IEC 85): F</p> <p data-bbox="204 1086 624 1108">Length of power cable: 10 m</p> <p data-bbox="204 1115 670 1137">Type of cable plug: SCHUKO</p> <p data-bbox="204 1180 280 1202">Others:</p> <p data-bbox="204 1209 647 1232">Net weight: 15.7 kg</p> <p data-bbox="204 1238 647 1261">Gross weight: 16.7 kg</p> <p data-bbox="204 1267 689 1290">Danish VVS No.: 391313112</p> <p data-bbox="204 1296 660 1319">Swedish RSK No.: 5885782</p> <p data-bbox="204 1326 660 1348">Finnish LVI No.: 4822567</p> <p data-bbox="204 1355 660 1377">Norwegian NRF no.: 9045617</p> <p data-bbox="204 1384 596 1406">Country of origin: HU</p> <p data-bbox="204 1413 673 1435">Custom tariff no.: 84137021</p> <p data-bbox="204 1442 638 1464">Environmental approvals: WEEE</p>

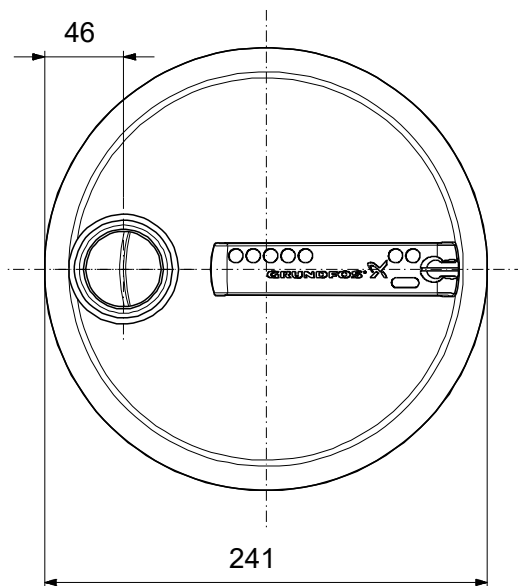
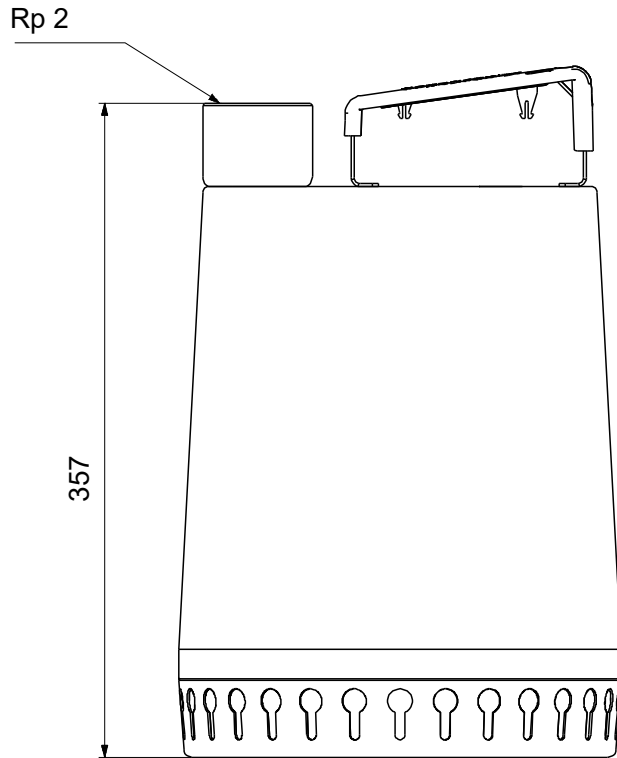
On request UNILIFT AP12.50.11.1 50 Hz



Description	Value
General information:	
Product name:	UNILIFT AP12.50.11.1
Product No:	On request
EAN number:	On request
Technical:	
Maximum flow:	8.33 l/s
Maximum head:	17 m
Type of impeller:	SEMI OPEN
Max. Particle:	12 mm
Approvals:	CE,RCM,VDE,LGABG,EAC,TUV RHWID,MORO,UKCA,SEPRO
Materials:	
Pump housing:	Stainless steel
Pump housing:	EN 1.4301
Pump housing:	AISI 304
Impeller:	Stainless steel
Impeller:	EN 1.4301
Impeller:	AISI 304
Cable union:	Brass
Cable union:	CW602N
Cable union:	C35330
Installation:	
Range of ambient temperature:	0 .. 55 °C
Type of connection:	Rp
Size of connection:	2 inch
Maximum installation depth:	7 m
Inst dry/wet:	D/S
Installation:	horizontal or vertical
Place of installation:	Indoor/outdoor
Liquid:	
Liquid temperature range:	0 .. 55 °C
Density:	998.2 kg/m ³
Electrical data:	
Power input P1:	1.7 kW
Motor type 1-phase:	PSC
Rated power - P2:	1.1 kW
Mains frequency:	50 Hz
Rated voltage:	1 x 230 V
Rated current:	8.5 A
Cos phi - power factor:	0.92
Rated speed:	2760 rpm
Capacitor size - run:	20 µF/400 V
Enclosure class (IEC 34-5):	IP68
Insulation class (IEC 85):	F
Built-in motor protection:	CONTACT
Thermal protec:	internal
Length of power cable:	10 m
Type of cable plug:	SCHUKO
Others:	
Net weight:	15.7 kg
Gross weight:	16.7 kg
Danish VVS No.:	391313112
Swedish RSK No.:	5885782
Finnish LVI No.:	4822567
Norwegian NRF no.:	9045617
Country of origin:	HU
Custom tariff no.:	84137021
Environmental approvals:	WEEE



On request UNILIFT AP12.50.11.1 50 Hz



Note! All units are in [mm] unless others are stated.
Disclaimer: This simplified dimensional drawing does not show all details.

On request UNILIFT AP12.50.11.1 50 Hz



Note! All units are in [mm] unless others are stated.

