

# Submittal Data

PROJECT:	UNIT TAG:	QUANTITY:
REPRESENTATIVE: _____	TYPE OF SERVICE:	DATE: _____
ENGINEER:	SUBMITTED BY:	DATE:
CONTRACTOR:	APPROVED BY:	DATE:
	ORDER NO.:	DATE:

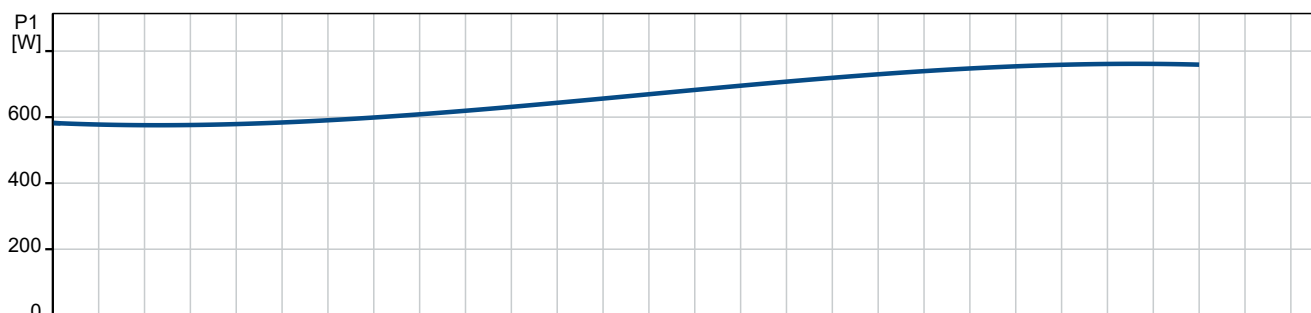
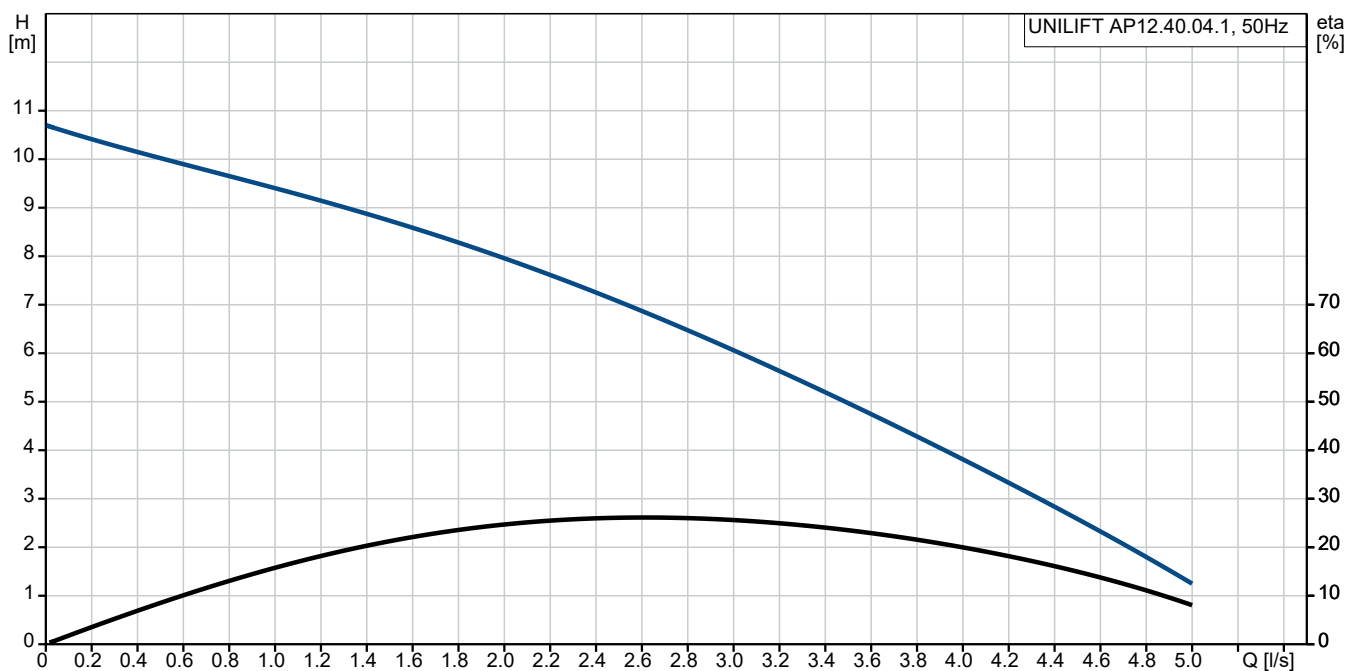


## UNILIFT AP12.40.04.1

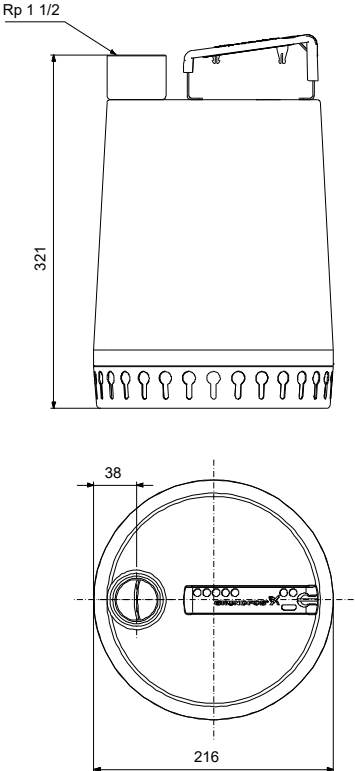
UNILIFT AP12 is a stainless-steel submersible pump designed for pumping non-aggressive water and grey wastewater with particles up to 12 mm. It can be used as a portable unit or stationary installation.

Note! Product picture may differ from actual product

Conditions of Service	Pump Data	Motor Data
Specific Gravity: 1.000	Liquid temperature range: 0 .. 55 °C Maximum ambient temperature: 55 °C Product number: On request	Mains frequency: 50 Hz Enclosure class: IP68 Motor protection: CONTACT Thermal protection: internal



# Submittal Data



- Materials:**
- Pump housing: Stainless steel
  - Pump housing: AISI 304
  - Impeller: Stainless steel
  - Impeller: AISI 304
  - Impeller: EN 1.4301

**Qty. Description**

1 UNILIFT AP12.40.04.1



Note! Product picture may differ from actual product

Product No.: On request  
Submersible drainage pump type

Vertical single-stage stainless steel submersible pump with vertical discharge port and integrated submersible 1-phase totally enclosed motor in insulation class F with thermal overload protection. The pump is fitted with a suction strainer.

The impeller is a SEMI OPEN impeller for 12 mm free passage suitable for pumping groundwater, surface water, rain water and similar.

The pump has a double shaft seal and an intermediate oil chamber pre-filled with non-toxic special oil.

The pump has a riser pipe, a cooling jacket for continuous cooling of the motor by the pumped liquid and long-life deep-groove greased-for-life ball bearings.

The pump is ready for use as it is fitted with carrying handle and is supplied with a 10 m mains cable. The mains cable is of the plug type with glass sealing compound in the socket to prevent penetration of humidity into the stator windings.

Liquid:  
Liquid temperature range: 0 .. 55 °C  
Density: 998.2 kg/m<sup>3</sup>

Technical:  
Maximum flow: 3.89 l/s  
Type of impeller: SEMI OPEN  
Max. Particle: 12 mm  
Approvals: CE,RCM,VDE,LGABG,EAC,TUVRHWID,MORO,UKCA,SEPRO

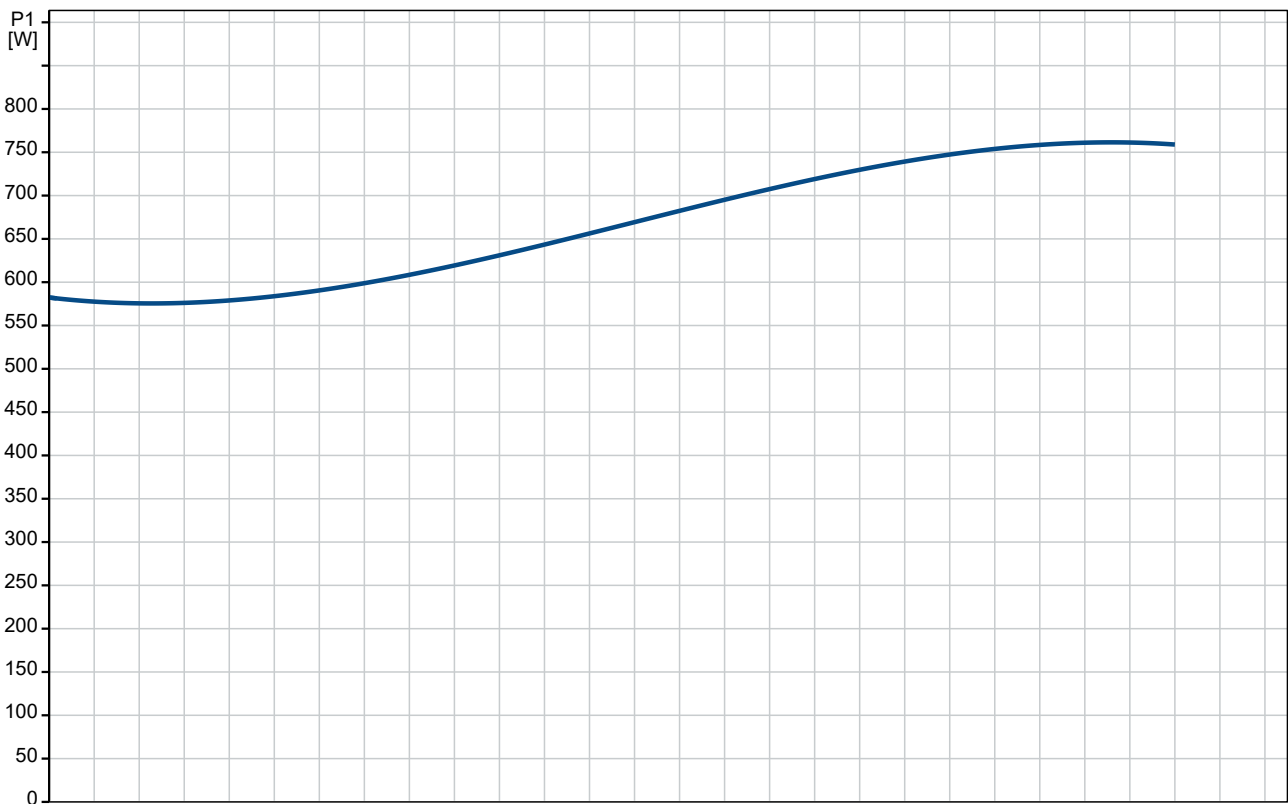
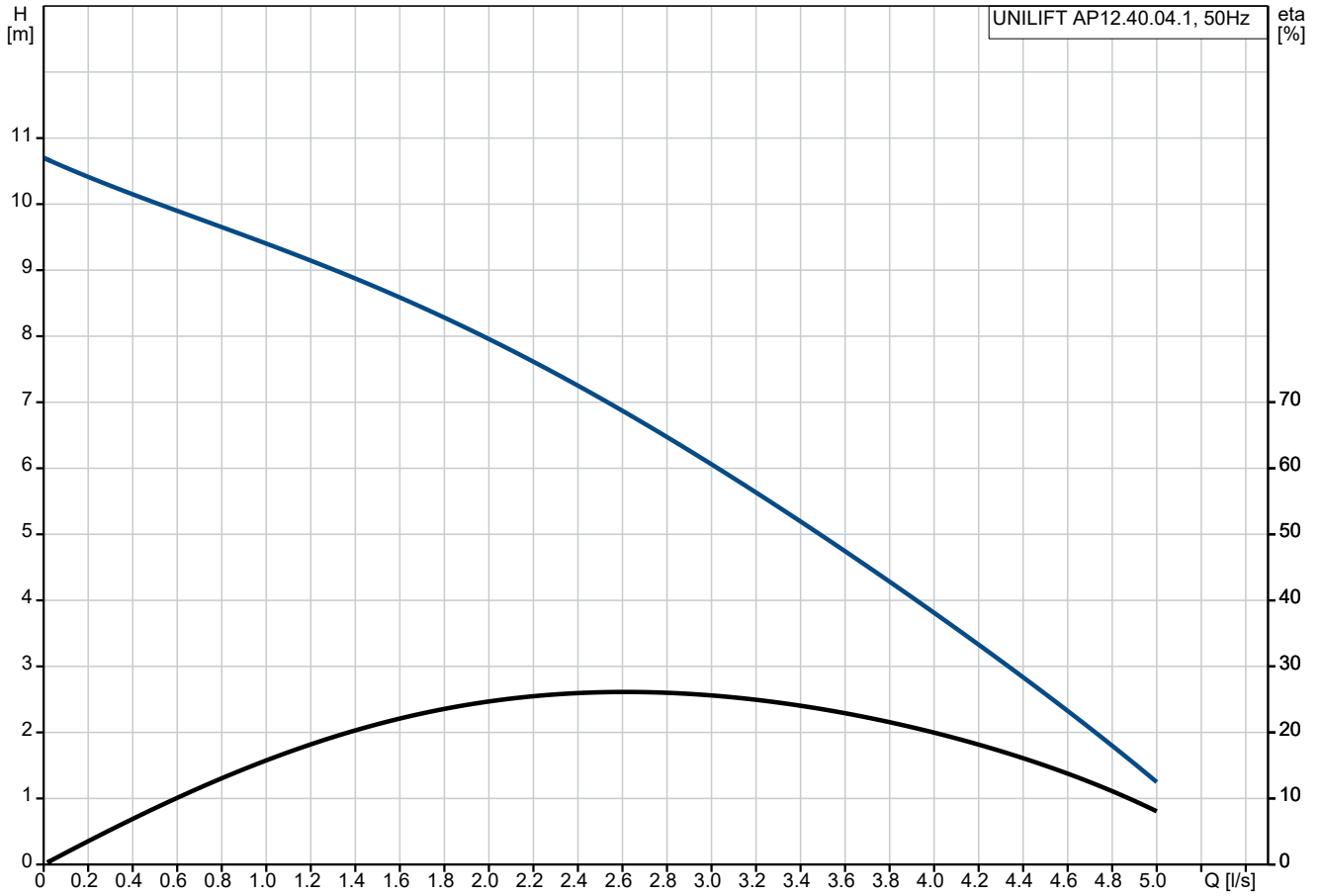
Materials:  
Pump housing: Stainless steel  
EN 1.4301  
AISI 304

Impeller: Stainless steel

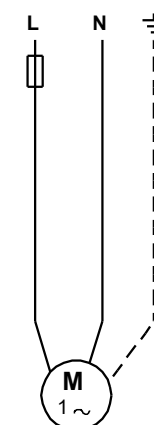
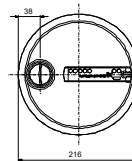
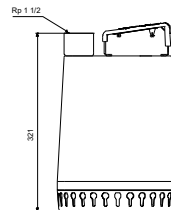
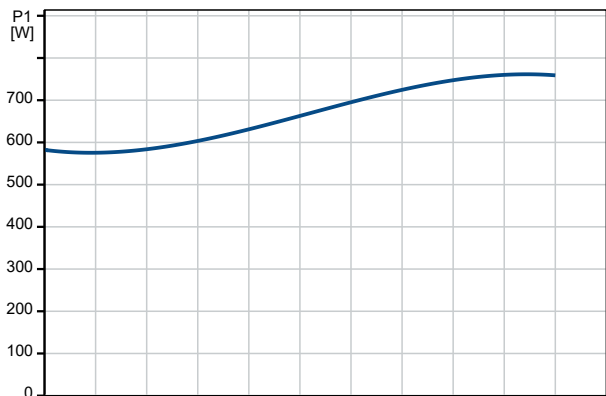
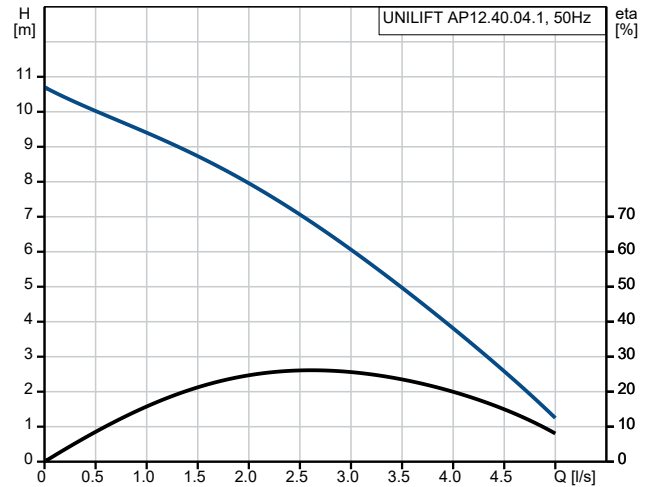
**Qty. Description**

1	<p>EN 1.4301 AISI 304 Cable union: Brass CW602N C35330</p> <p>Installation: Range of ambient temperature: 0 .. 55 °C Type of connection: Rp Size of connection: 1 1/2 inch Maximum installation depth: 7 m Place of installation: Indoor/outdoor</p> <p>Electrical data: Power input P1: 0.7 kW Motor type 1-phase: PSC Rated power - P2: 0.4 kW Mains frequency: 50 Hz Rated voltage: 1 x 230 V Rated current: 3.1 A Cos phi - power factor: 0.99 Rated speed: 2770 rpm Capacitor size - run: 12 µF/400 V Enclosure class (IEC 34-5): IP68 Insulation class (IEC 85): F Length of power cable: 10 m Type of cable plug: SCHUKO</p> <p>Others: Net weight: 12.8 kg Gross weight: 13.9 kg Danish VVS No.: 391313101 Swedish RSK No.: 5885770 Finnish LVI No.: 4822509 Norwegian NRF no.: 9045605 Country of origin: HU Custom tariff no.: 84137021 Environmental approvals: WEEE</p>
---	-----------------------------------------------------------------------------------------------------------------------------------------------------------------------------------------------------------------------------------------------------------------------------------------------------------------------------------------------------------------------------------------------------------------------------------------------------------------------------------------------------------------------------------------------------------------------------------------------------------------------------------------------------------------------------------------------------------------------------------------------------------------------------------------------------------------------------------------------------------------------------------------------------------------------------------------------------------------------------------------------------------------

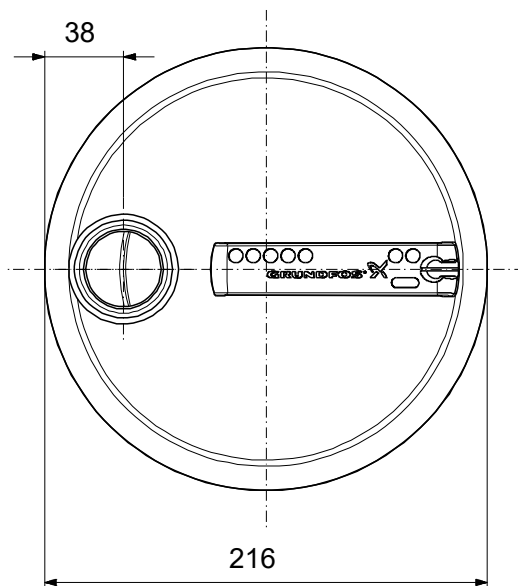
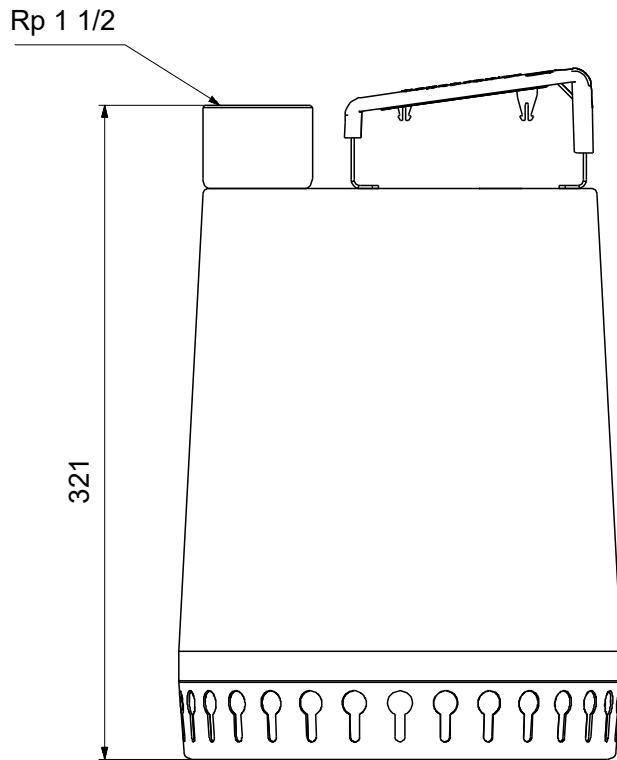
## On request UNILIFT AP12.40.04.1 50 Hz



Description	Value
<b>General information:</b>	
Product name:	UNILIFT AP12.40.04.1
Product No:	On request
EAN number:	On request
<b>Technical:</b>	
Maximum flow:	3.89 l/s
Maximum head:	10 m
Type of impeller:	SEMI OPEN
Max. Particle:	12 mm
Approvals:	CE,RCM,VDE,LGABG,EAC,TUV RHWID,MORO,UKCA,SEPRO
<b>Materials:</b>	
Pump housing:	Stainless steel
Pump housing:	EN 1.4301
Pump housing:	AISI 304
Impeller:	Stainless steel
Impeller:	EN 1.4301
Impeller:	AISI 304
Cable union:	Brass
Cable union:	CW602N
Cable union:	C35330
<b>Installation:</b>	
Range of ambient temperature:	0 .. 55 °C
Type of connection:	Rp
Size of connection:	1 1/2 inch
Maximum installation depth:	7 m
Inst dry/wet:	D/S
Installation:	horizontal or vertical
Place of installation:	Indoor/outdoor
<b>Liquid:</b>	
Liquid temperature range:	0 .. 55 °C
Density:	998.2 kg/m <sup>3</sup>
<b>Electrical data:</b>	
Power input P1:	0.7 kW
Motor type 1-phase:	PSC
Rated power - P2:	0.4 kW
Mains frequency:	50 Hz
Rated voltage:	1 x 230 V
Rated current:	3.1 A
Cos phi - power factor:	0.99
Rated speed:	2770 rpm
Capacitor size - run:	12 µF/400 V
Enclosure class (IEC 34-5):	IP68
Insulation class (IEC 85):	F
Built-in motor protection:	CONTACT
Thermal protec:	internal
Length of power cable:	10 m
Type of cable plug:	SCHUKO
<b>Others:</b>	
Net weight:	12.8 kg
Gross weight:	13.9 kg
Danish VVS No.:	391313101
Swedish RSK No.:	5885770
Finnish LVI No.:	4822509
Norwegian NRF no.:	9045605
Country of origin:	HU
Custom tariff no.:	84137021
Environmental approvals:	WEEE



## On request UNILIFT AP12.40.04.1 50 Hz



Note! All units are in [mm] unless others are stated.  
Disclaimer: This simplified dimensional drawing does not show all details.

**On request UNILIFT AP12.40.04.1 50 Hz**



Note! All units are in [mm] unless others are stated.

