

Submittal Data

PROJECT:	UNIT TAG:	QUANTITY:
REPRESENTATIVE: _____	TYPE OF SERVICE:	DATE: _____
ENGINEER:	SUBMITTED BY:	DATE:
CONTRACTOR:	APPROVED BY:	DATE:
	ORDER NO.:	DATE:

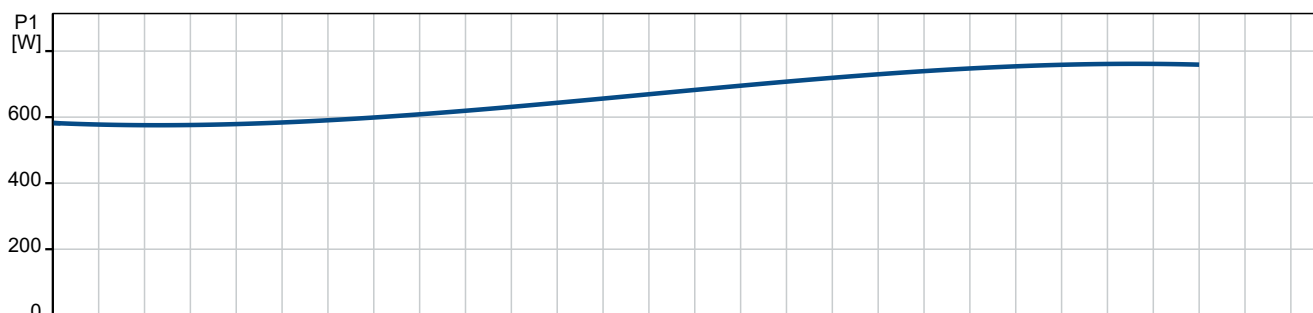
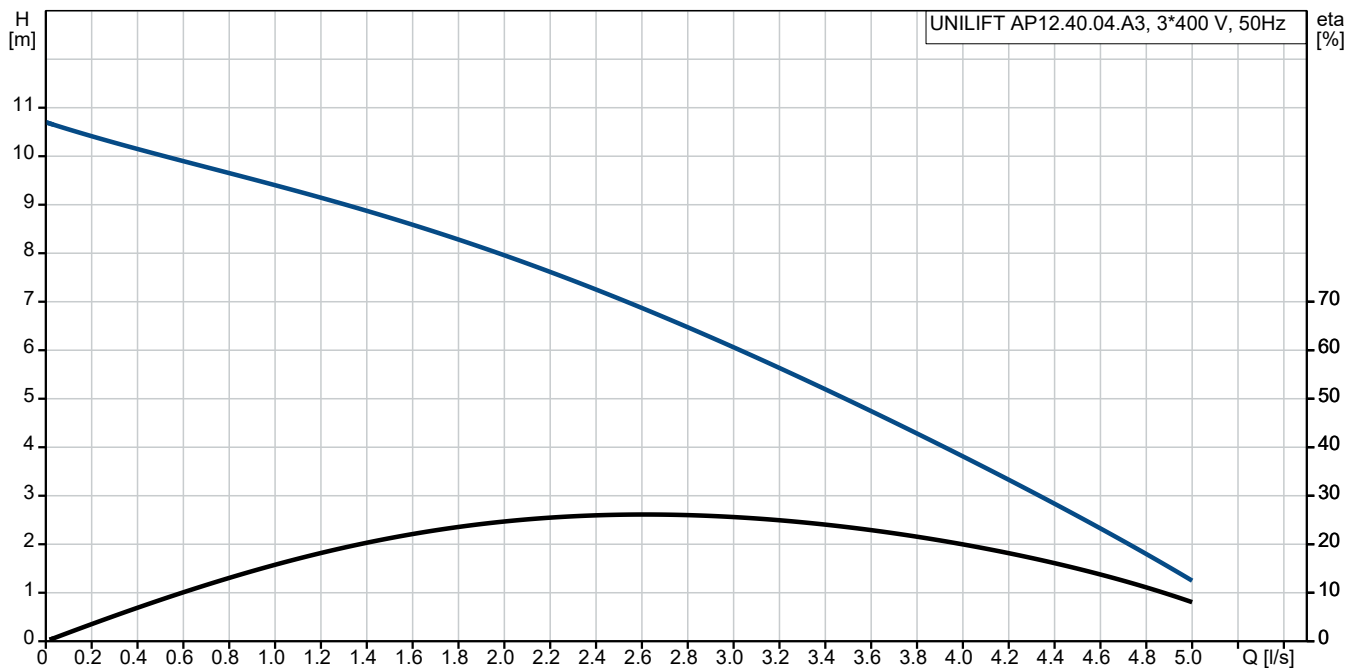


UNILIFT AP12.40.04.A3

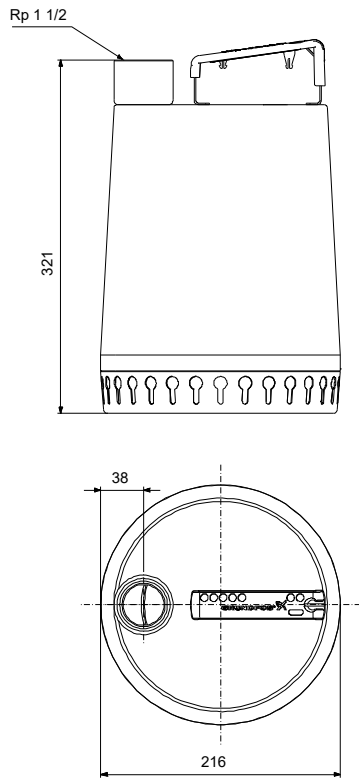
UNILIFT AP12 is a stainless-steel submersible pump designed for pumping non-aggressive water and grey wastewater with particles up to 12 mm. It can be used as a portable unit or stationary installation.

Note! Product picture may differ from actual product

Conditions of Service	Pump Data	Motor Data
Specific Gravity: 1.000	Liquid temperature range: 0 .. 55 °C Maximum ambient temperature: 55 °C Product number: On request	Mains frequency: 50 Hz Enclosure class: IP68 Motor protection: NONE Thermal protection: external



Submittal Data



Materials:

Pump housing: Stainless steel

Pump housing: AISI 304

Impeller: Stainless steel

Impeller: AISI 304

Impeller: EN 1.4301

Qty. Description

1 UNILIFT AP12.40.04.A3



Note! Product picture may differ from actual product

Product No.: On request
Submersible drainage pump type

Vertical single-stage stainless steel submersible pump with vertical discharge port and integrated submersible 3-phase totally enclosed motor in insulation class F. The pump is fitted with a suction strainer.

The pump is supplied with a control box including motor starter, a motor protection and a float switch for automatic start/stop of the pump . The float switch contains 10 m cable. And there is a 0.8m main cable connected to the box (see electrical data for optional CEE plug).

The impeller is a SEMI OPEN impeller for 12 mm free passage suitable for pumping groundwater, surface water, rain water and similar liquids.

The pump has a double shaft seal and an intermediate oil chamber pre-filled with non-toxic special oil.

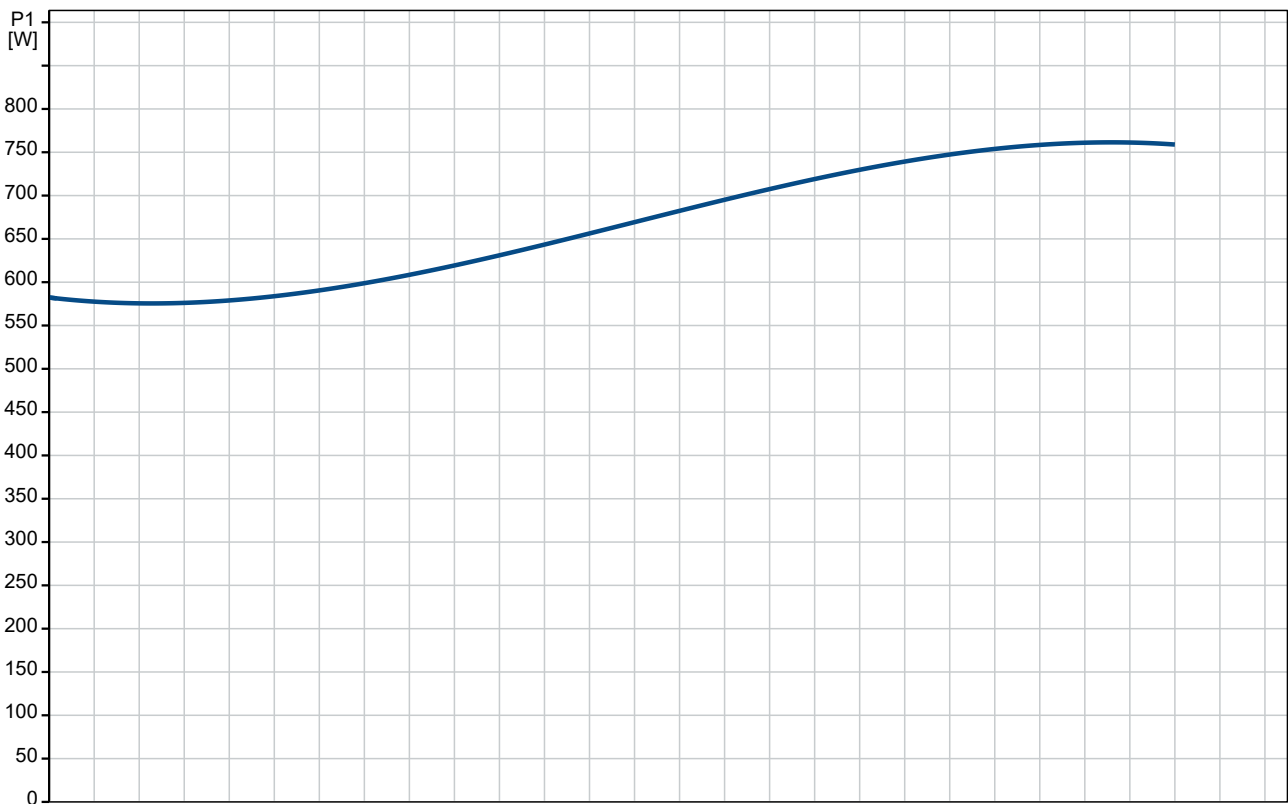
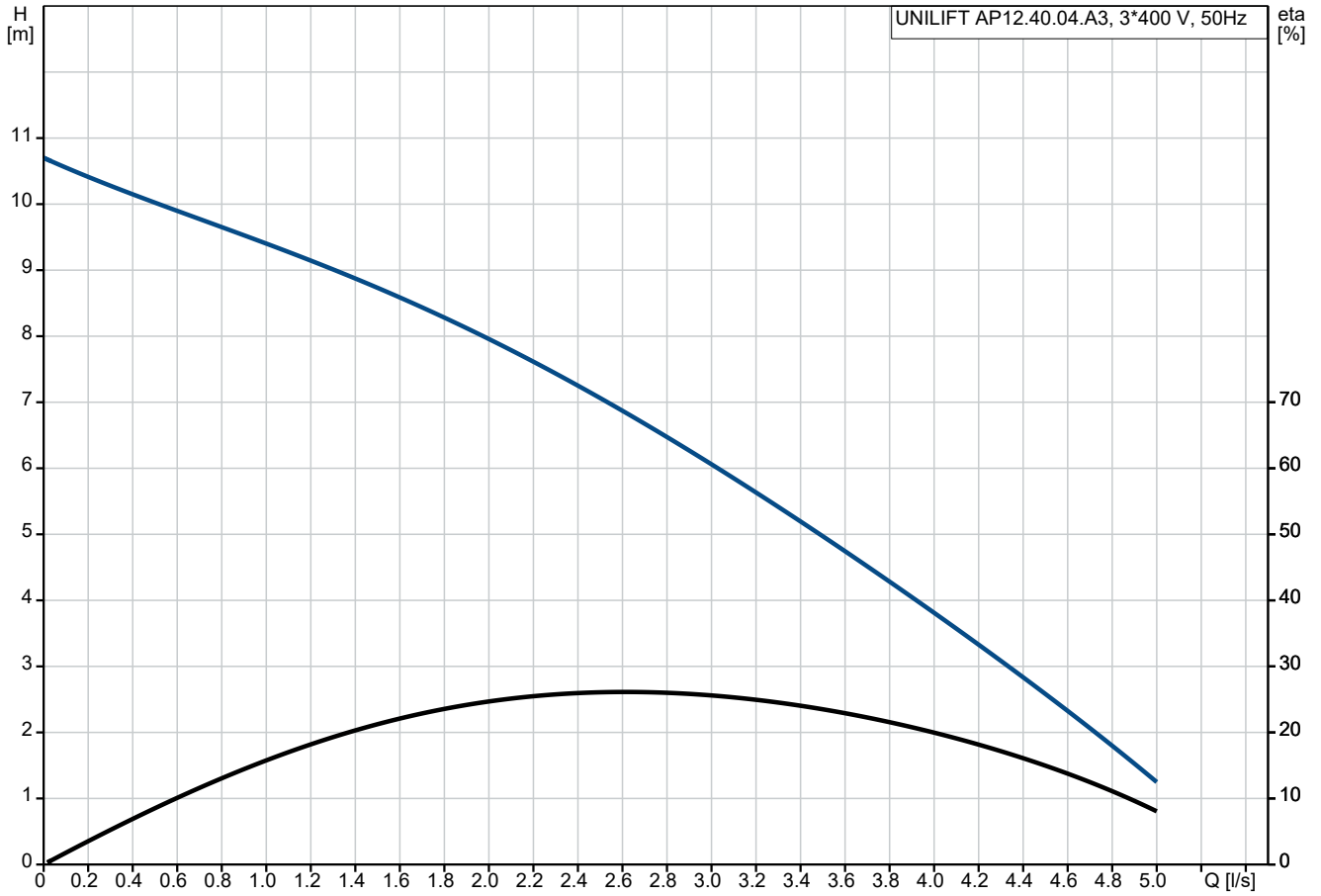
The pump has a riser pipe, a cooling jacket for continuous cooling of the motor by the pumped liquid and long-life deep-groove greased-for-life ball bearings.

The pump is ready for use as it is fitted with carrying handle and is supplied with a 10 m mains cable. The mains cable is of the plug type with glass sealing compound in the socket to prevent penetration of humidity into the stator windings.

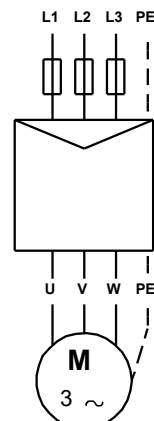
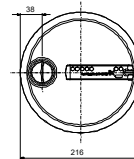
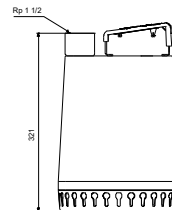
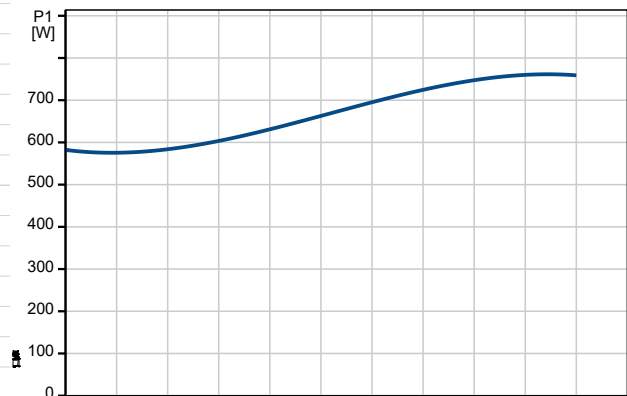
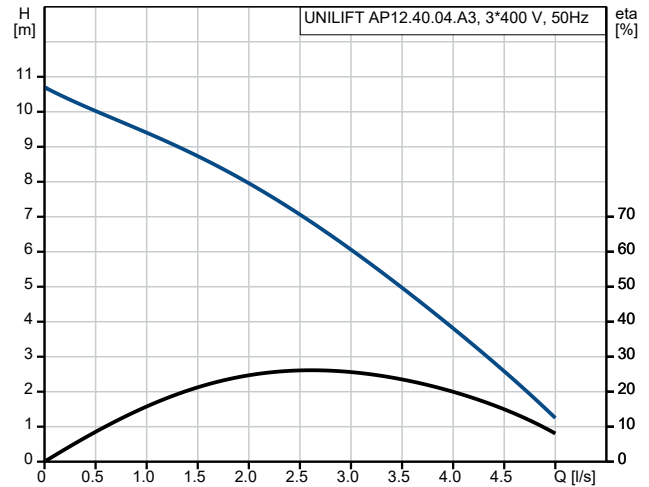
Liquid:
Liquid temperature range: 0 .. 55 °C
Density: 998.2 kg/m³

Technical:
Maximum flow: 3.89 l/s
Type of impeller: SEMI OPEN
Max. Particle: 12 mm
Approvals: CE,RCM,LGABG,EAC,TUVRHWID,MORO,UKCA,SEPRO

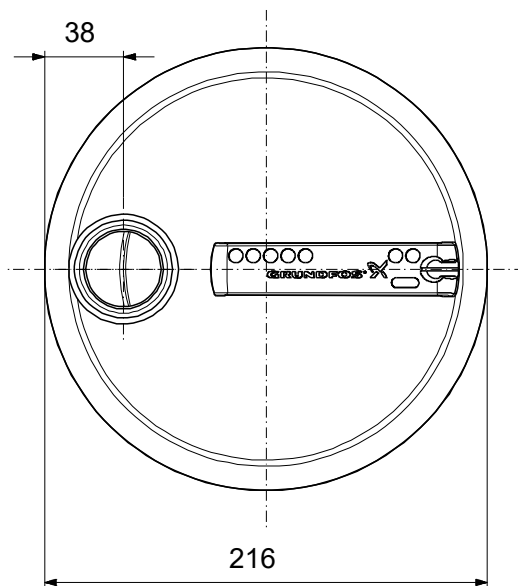
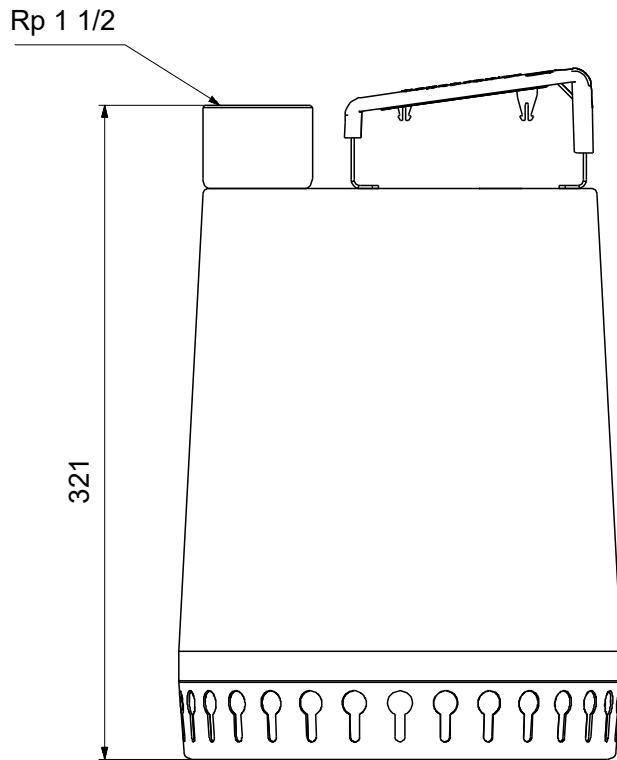
On request UNILIFT AP12.40.04.A3 50 Hz



Description	Value
General information:	
Product name:	UNILIFT AP12.40.04.A3
Product No:	On request
EAN number:	On request
Technical:	
Maximum flow:	3.89 l/s
Maximum head:	10 m
Type of impeller:	SEMI OPEN
Max. Particle:	12 mm
Approvals:	CE,RCM,LGABG,EAC,TUVRHWD,MORO,UKCA,SEPRO
Materials:	
Pump housing:	Stainless steel
Pump housing:	EN 1.4301
Pump housing:	AISI 304
Impeller:	Stainless steel
Impeller:	EN 1.4301
Impeller:	AISI 304
Cable union:	Brass
Cable union:	CW602N
Cable union:	C35330
Installation:	
Range of ambient temperature:	0 .. 55 °C
Type of connection:	Rp
Size of connection:	1 1/2 inch
Maximum installation depth:	7 m
Inst dry/wet:	D/S
Installation:	horizontal or vertical
Place of installation:	Indoor/outdoor
Liquid:	
Liquid temperature range:	0 .. 55 °C
Density:	998.2 kg/m ³
Electrical data:	
Power input P1:	0.7 kW
Rated power - P2:	0.4 kW
Mains frequency:	50 Hz
Rated voltage:	3 x 400 V
Rated current:	1.2 A
Cos phi - power factor:	0.83
Rated speed:	2800 rpm
Enclosure class (IEC 34-5):	IP68
Insulation class (IEC 85):	F
Built-in motor protection:	NONE
Thermal protec:	external
Length of power cable:	10 m
Type of cable plug:	CEE
Controls:	
Level switch:	float switch
Others:	
Net weight:	12.9 kg
Gross weight:	14.5 kg
Country of origin:	HU
Custom tariff no.:	84137021
Environmental approvals:	WEEE

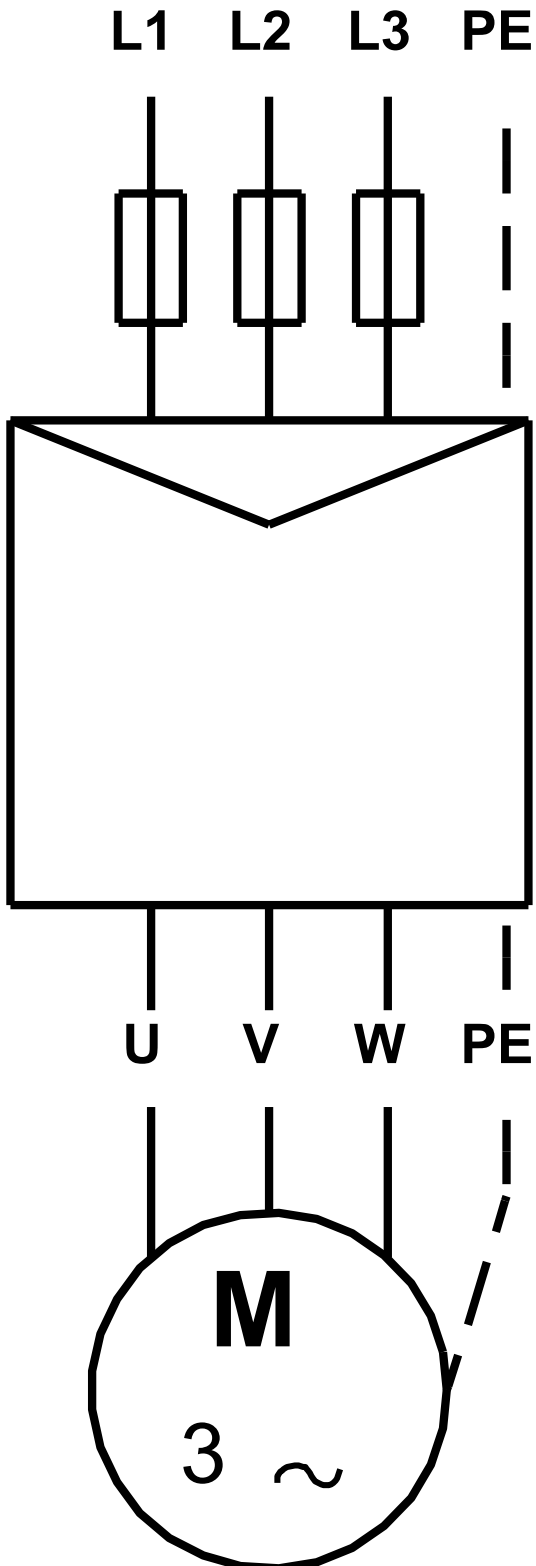


On request UNILIFT AP12.40.04.A3 50 Hz



Note! All units are in [mm] unless others are stated.
Disclaimer: This simplified dimensional drawing does not show all details.

On request UNILIFT AP12.40.04.A3 50 Hz



Note! All units are in [mm] unless others are stated.

