

Qty.	Description
------	-------------

1	<b>Unilift CC5 - A1</b>
---	-------------------------



Note! Product picture may differ from actual product

Product No.: On request

Grundfos Unilift CC pumps are single-stage submersible pumps with a low suction ability down to 3 mm water level.

The pumps are designed for pumping rainwater and grey wastewater, e.g. from

- washing machines, baths, sinks, etc. from low-lying parts of buildings up to sewer level
- cellars or buildings prone to flooding
- draining wells
- wells for surface water with inlets from roof gutters, pits, tunnels, etc.
- swimming pools, ponds or fountains.

The pumps are suitable for both stationary and portable use.

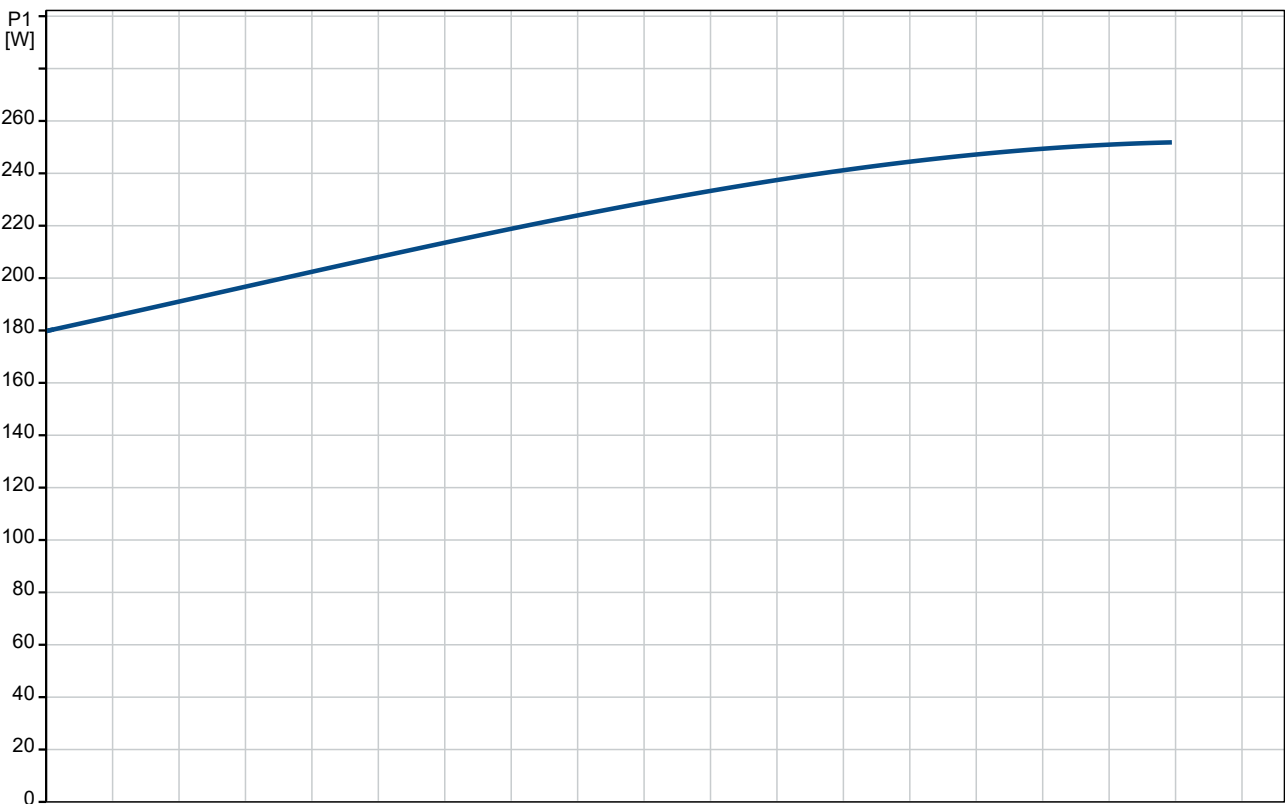
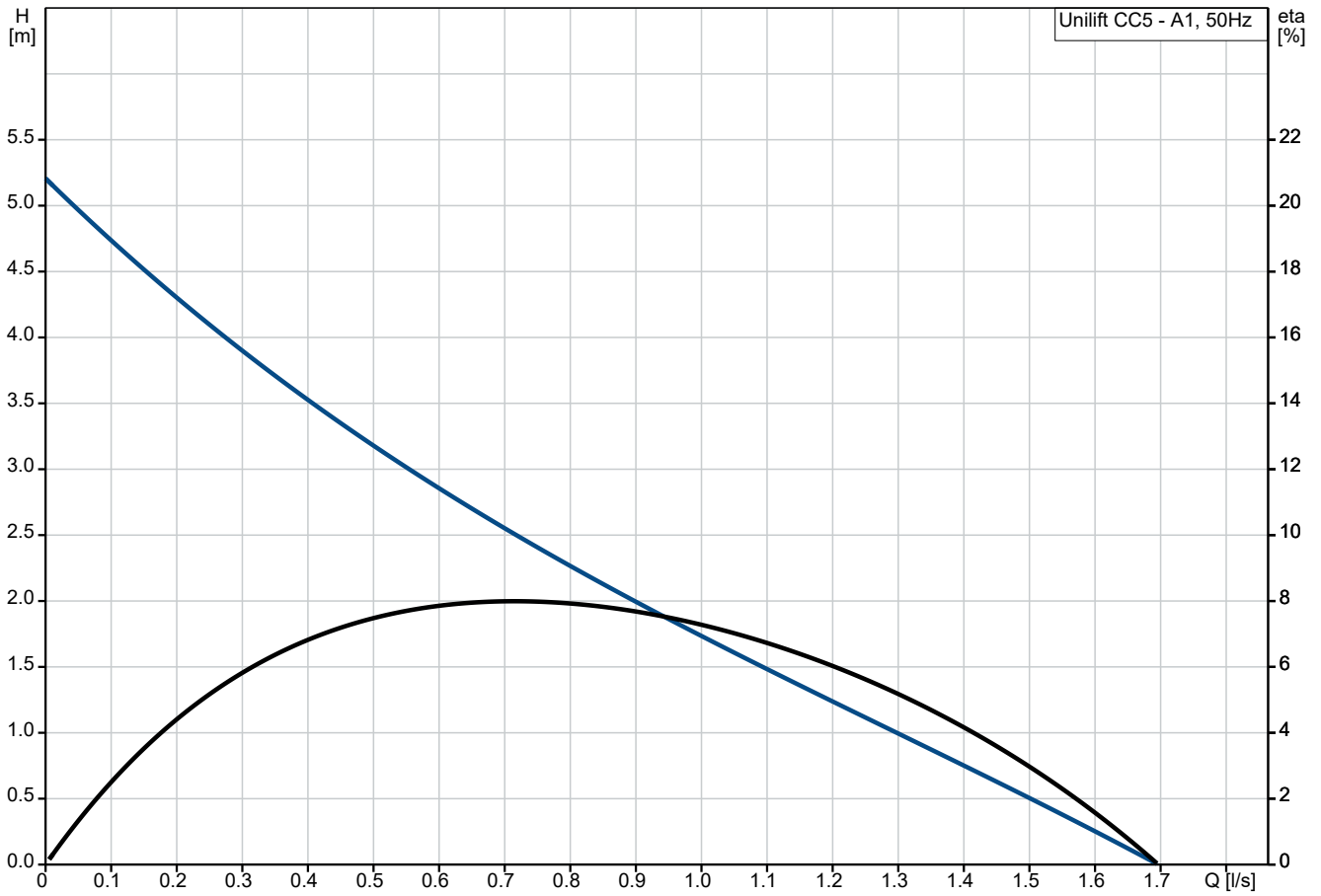
They are for automatic operation.

The pumps allow free passage of particles up to  $\varnothing 10$  mm.

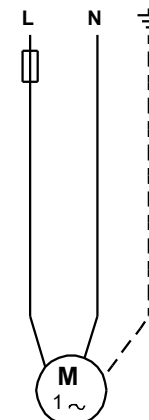
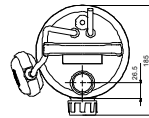
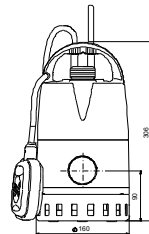
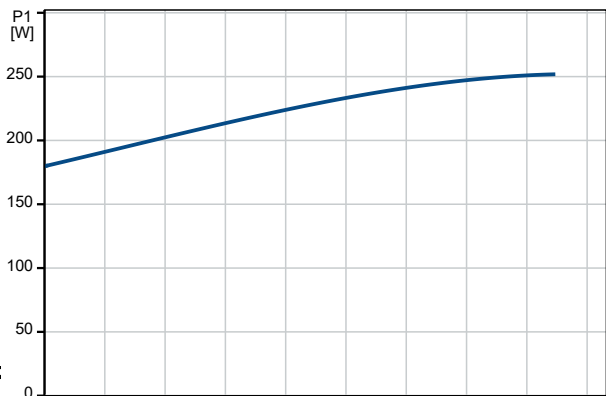
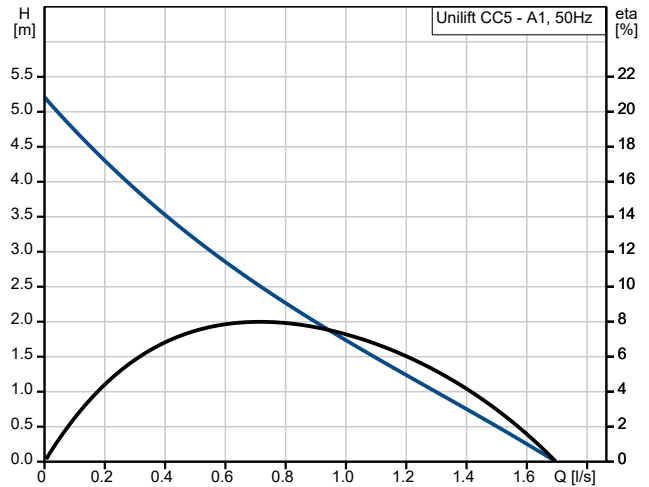
The motor incorporates automatic overload protection cutting out the motor in case of overload.

When cooled to normal temperature, the motor restarts automatically.

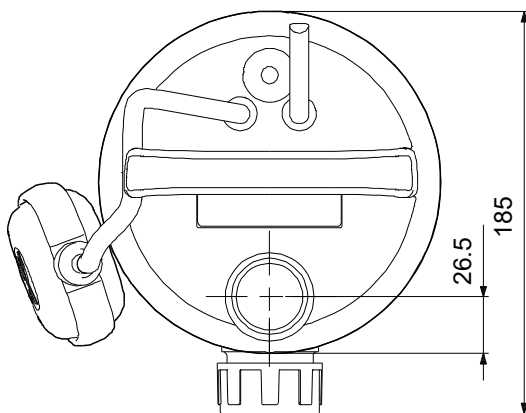
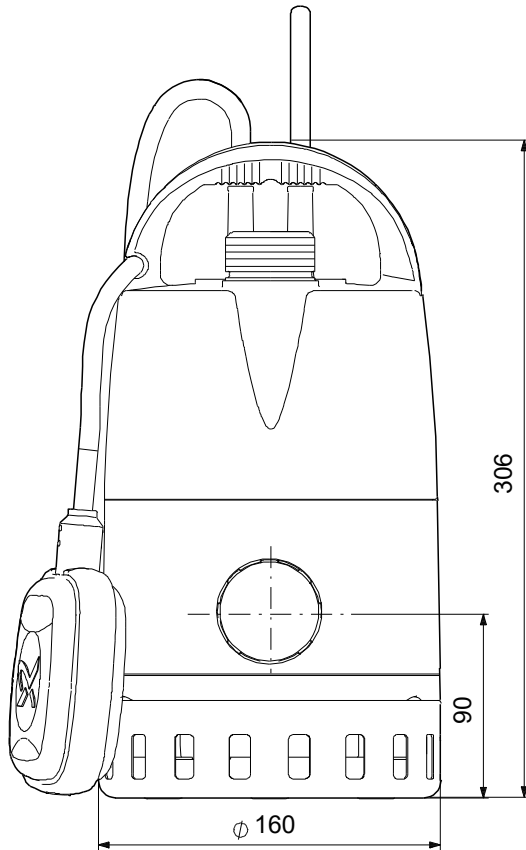
**On request Unilift CC5 - A1 50 Hz**



Description	Value
<b>General information:</b>	
Product name:	Unilift CC5 - A1
Product No:	On request
EAN number:	On request
<b>Technical:</b>	
Rated flow:	0.711 l/s
Maximum flow:	1.67 l/s
Rated head:	2.52 m
Maximum head:	5 m
Max. Particle:	10 mm
Approvals:	CE, LGA, VDE, UKCA, SEPRO
<b>Materials:</b>	
Pump housing:	Polypropylene
Pump housing:	PP - GF15
Impeller:	Composite
Impeller:	PP 20 GF
Motor:	Stainless steel
Motor:	EN 1.4301
Motor:	AISI 304
Shaft:	Stainless steel
Shaft:	EN 1.4301
Shaft:	AISI 304
<b>Installation:</b>	
Range of ambient temperature:	0 .. 40 °C
Type of connection:	R
Size of connection:	1 1/4 inch
Maximum installation depth:	2 m
<b>Liquid:</b>	
Liquid temperature range:	0 .. 40 °C
Density:	998.2 kg/m <sup>3</sup>
<b>Electrical data:</b>	
Power input P1:	250 W
P2:	108 W
Mains frequency:	50 Hz
Rated voltage:	1 x 220-240 V
Rated current:	0.98 A
Rated speed:	2850 rpm
Capacitor size - run:	4 µF/450 V
Enclosure class (IEC 34-5):	IP68
Insulation class (IEC 85):	B
Built-in motor protection:	YES
Length of power cable:	5 m
Type of cable plug:	SCHUKO
<b>Controls:</b>	
Level switch:	float switch
<b>Others:</b>	
Net weight:	4.51 kg
Gross weight:	5.27 kg
Shipping volume:	0.017 m <sup>3</sup>
Danish VVS No.:	391280351
Swedish RSK No.:	5885924
Norwegian NRF no.:	9045634
Country of origin:	HU
Custom tariff no.:	84137021
Environmental approvals:	WEEE



## On request Unilift CC5 - A1 50 Hz



Note! All units are in [mm] unless others are stated.  
Disclaimer: This simplified dimensional drawing does not show all details.

