



Company name:

Created by:

Phone:

Date:

21/10/2024

**Qty. Description**

1 **Product name:** **Oval flanges for FlexiClamp base**

Product No.: On request

Product No: On request

EAN number: On request

**Materials:**

Basic: Cast iron

Rubber: Klingersil

**Installation:**

Pipework connection: Rp 1 1/4

Pressure rating: PN 16

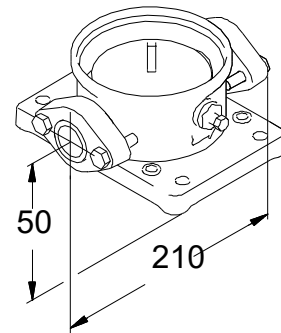
Number of flanges: 2

**Others:**

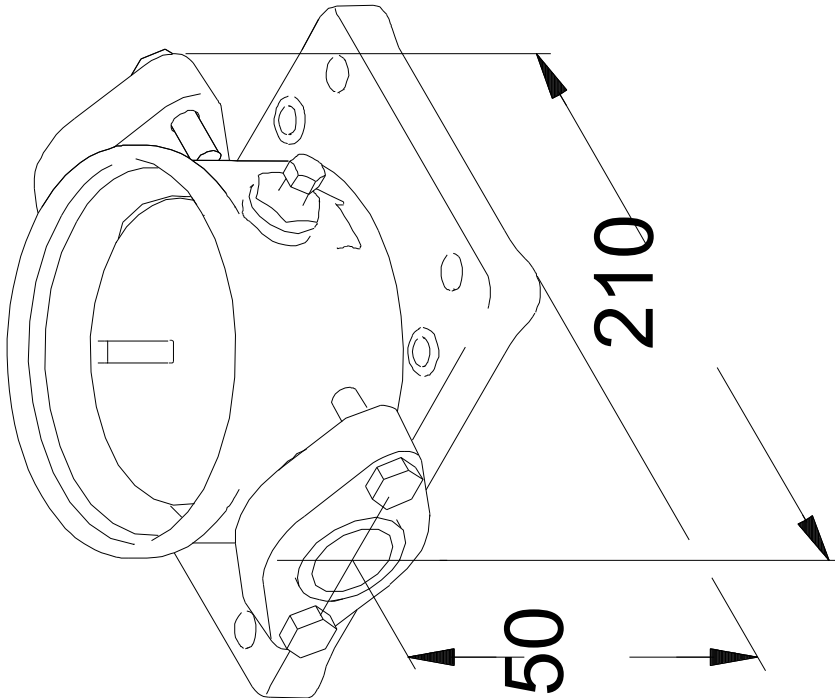
Country of origin: DK

Custom tariff no.: 73071190

Description	Value
<b>General information:</b>	
Product name:	Oval flanges for FlexiClamp base
Product No:	On request
EAN number:	On request
<b>Materials:</b>	
Basic:	Cast iron
Rubber:	Klingersil
<b>Installation:</b>	
Pipework connection:	Rp 1 1/4
Pressure rating:	PN 16
Number of flanges:	2
<b>Others:</b>	
Country of origin:	DK
Custom tariff no.:	73071190



**On request Oval flanges for FlexiClamp base**



Note! All units are in [mm] unless others are stated.  
Disclaimer: This simplified dimensional drawing does not show all details.

