

Qty. Description

1 UNILIFT AP50B.50.11.A1V



Note! Product picture may differ from actual product

Product No.: On request  
Submersible effluent pump

Vertical single-stage stainless steel submersible pump with integrated submersible 1-phase motor.

The pump is fitted with ring stand and carrying handle and is supplied with a 10 m mains cable and a level switch for automatic start and stop.

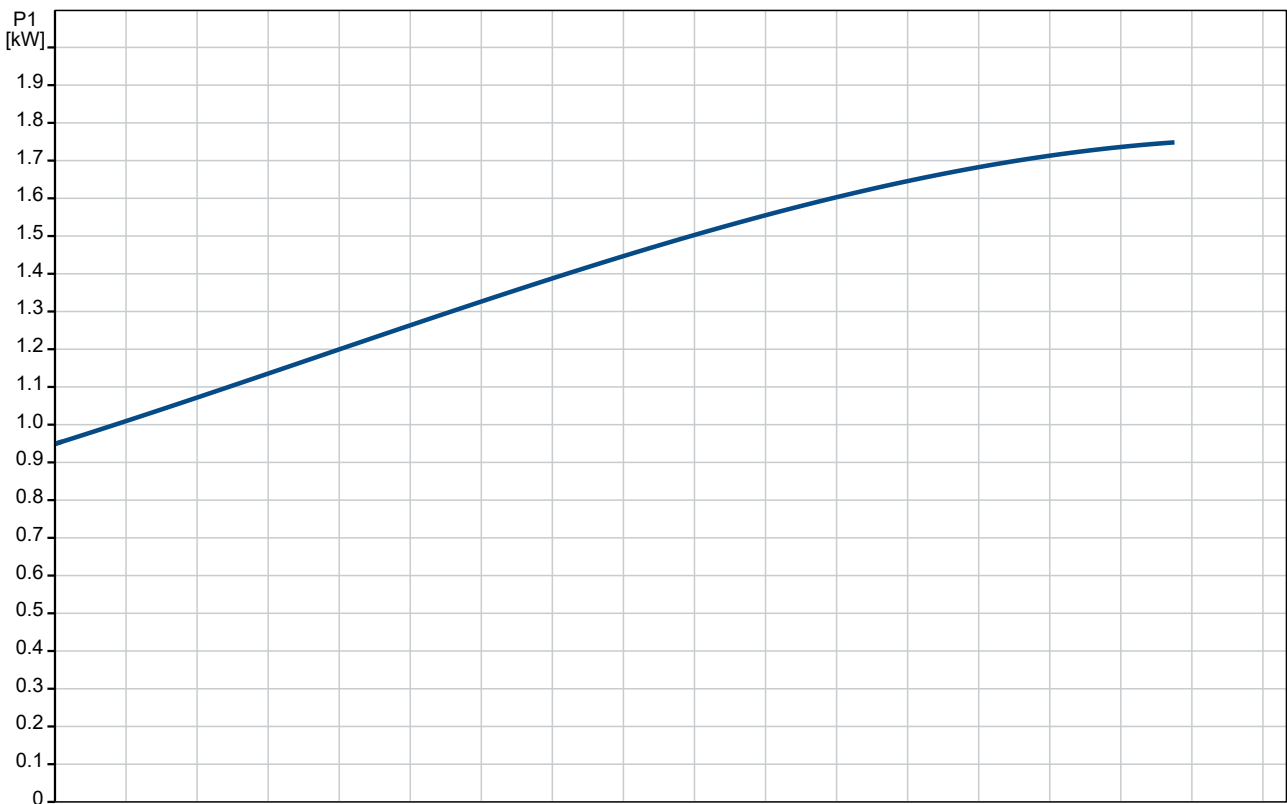
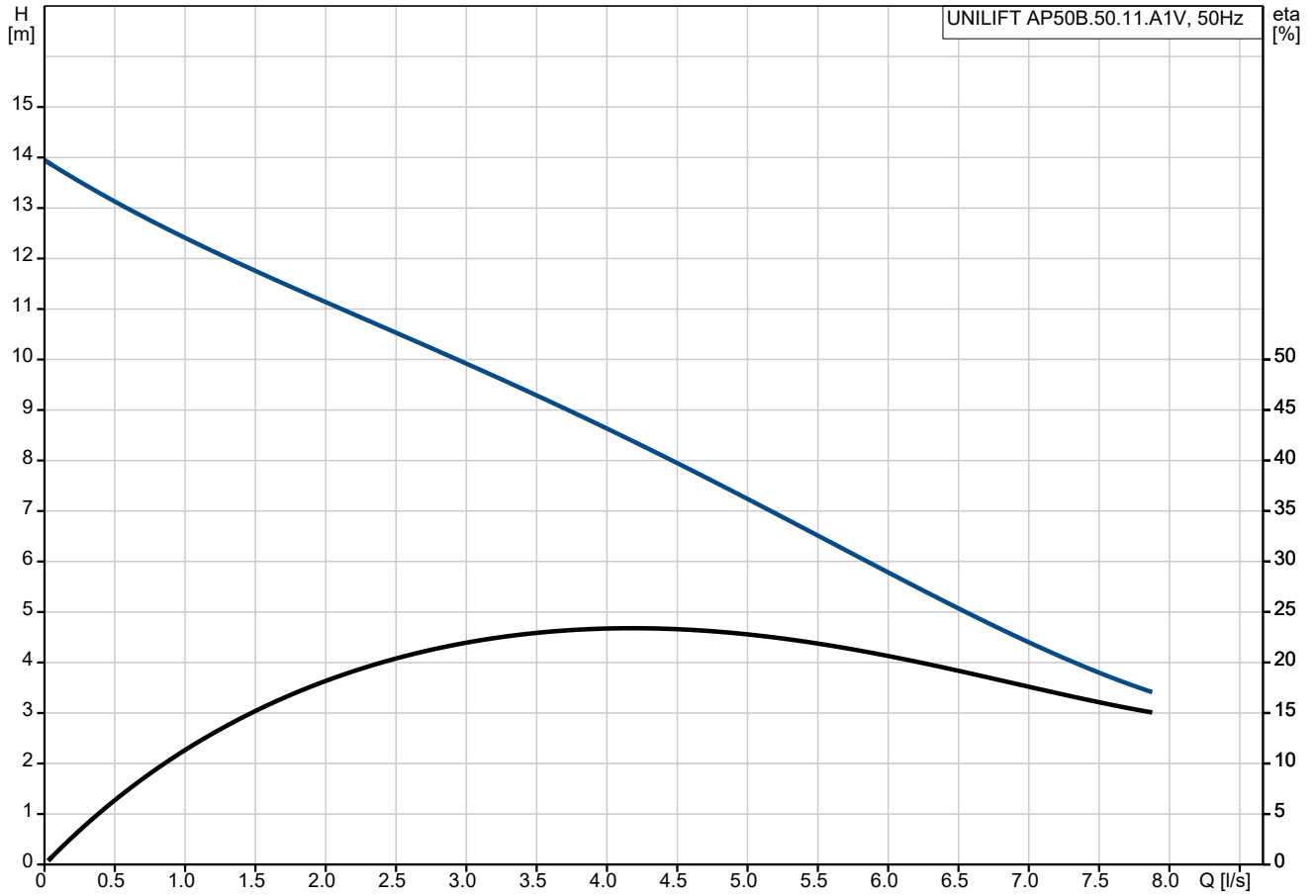
The impeller is a VORTEX impeller for 50 mm free passage suitable for pumping surface water, groundwater, wastewater and similar.

The pump has a double shaft seal and an intermediate oil chamber pre-filled with non-toxic special oil.

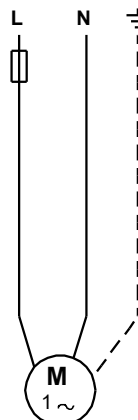
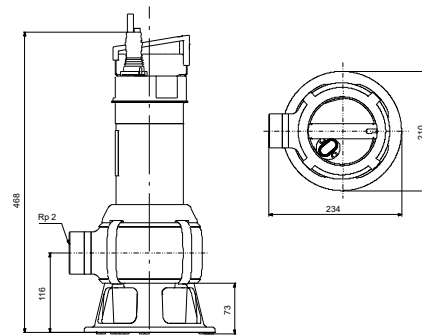
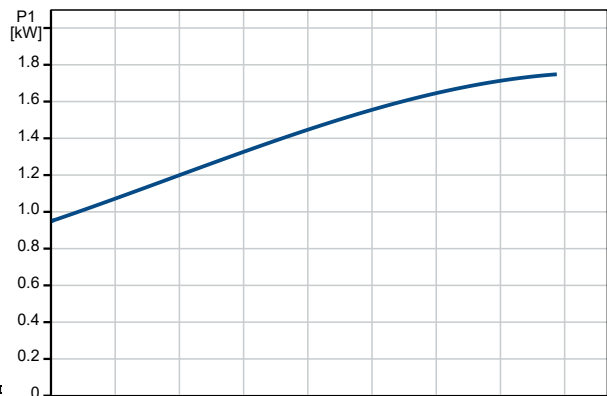
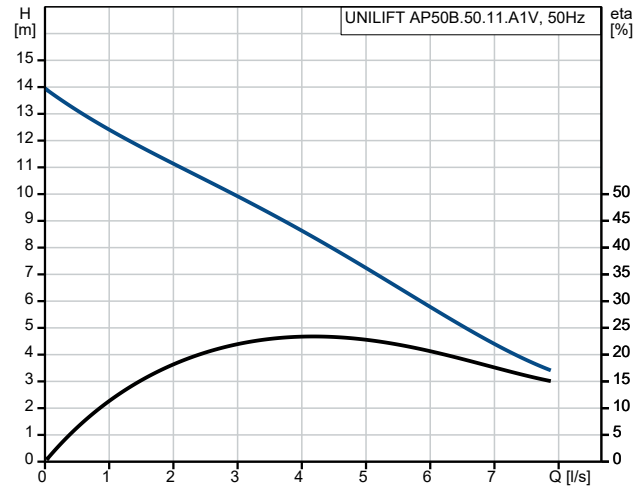
The motor is insulation class F with thermal overload protection and has long-life deep-groove greased-for-life ball bearings.

The pump has Rp 2 inch discharge port and is ready for installation either free-standing or on an auto-coupling system.

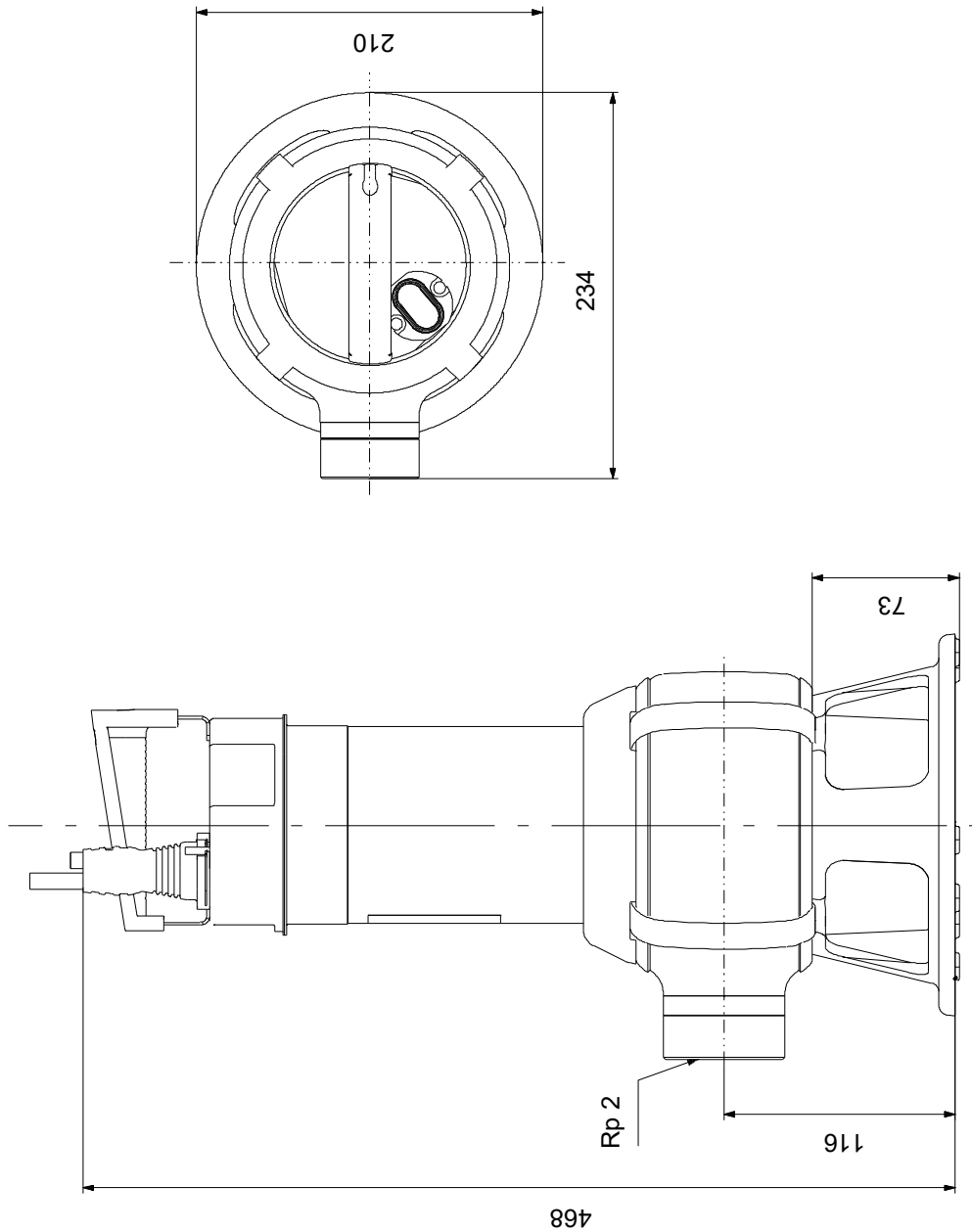
**On request UNILIFT AP50B.50.11.A1V 50 Hz**



| Description                   | Value                                     |
|-------------------------------|---|
| <b>General information:</b>   |   |
| Product name:                 | UNILIFT AP50B.50.11.A1V                   |
| Product No:                   | On request                                |
| EAN number:                   | On request                                |
| <b>Technical:</b>             |   |
| Maximum flow:                 | 7.78 l/s                                  |
| Maximum head:                 | 14 m                                      |
| Type of impeller:             | VORTEX                                    |
| Max. Particle:                | 50 mm                                     |
| Approvals:                    | CE,RCM,VDE,LGABG,EAC,MORO,MORO,UKCA,SEPRO |
| <b>Materials:</b>             |   |
| Pump housing:                 | Stainless steel                           |
| Pump housing:                 | EN 1.4301                                 |
| Pump housing:                 | AISI 304                                  |
| Impeller:                     | Stainless steel                           |
| Impeller:                     | EN 1.4301                                 |
| Impeller:                     | AISI 304                                  |
| <b>Installation:</b>          |   |
| Range of ambient temperature: | 0 .. 40 °C                                |
| Type of connection:           | Rp  |
| Size of connection:           | 2 inch                                    |
| Maximum installation depth:   | 7 m                                       |
| Inst dry/wet:                 | S   |
| Installation:                 | horizontal or vertical                    |
| Auto-coupling:                | Y   |
| Place of installation:        | Indoor/outdoor                            |
| <b>Liquid:</b>                |   |
| Liquid temperature range:     | 0 .. 40 °C                                |
| Density:                      | 998.2 kg/m <sup>3</sup>                   |
| <b>Electrical data:</b>       |   |
| Power input P1:               | 1.75 kW                                   |
| Motor type 1-phase:           | PSC                                       |
| Rated power - P2:             | 1.21 kW                                   |
| Mains frequency:              | 50 Hz                                     |
| Rated voltage:                | 1 x 230 V                                 |
| Rated current:                | 8 A                                       |
| Cos phi - power factor:       | 0.95                                      |
| Rated speed:                  | 2760 rpm                                  |
| Capacitor size - run:         | 20 µF/400 V                               |
| Enclosure class (IEC 34-5):   | IP68                                      |
| Insulation class (IEC 85):    | F   |
| Built-in motor protection:    | CONTACT                                   |
| Thermal protec:               | internal                                  |
| Length of power cable:        | 10 m                                      |
| Type of cable plug:           | SCHUKO                                    |
| <b>Controls:</b>              |   |
| Level switch:                 | float switch                              |
| <b>Others:</b>                |   |
| Net weight:                   | 11.7 kg                                   |
| Gross weight:                 | 13.1 kg                                   |
| Danish VVS No.:               | 391272342                                 |
| Swedish RSK No.:              | 5886035                                   |
| Country of origin:            | HU  |
| Custom tariff no.:            | 84137021                                  |
| Environmental approvals:      | WEEE                                      |



**On request UNILIFT AP50B.50.11.A1V 50 Hz**



Note! All units are in [mm] unless others are stated.  
Disclaimer: This simplified dimensional drawing does not show all details.

