

Qty. Description

1 UNILIFT AP35B.50.06.A1V



Note! Product picture may differ from actual product

Product No.: On request  
Submersible effluent pump

Vertical single-stage stainless steel submersible pump with integrated submersible 1-phase motor.

The pump is fitted with ring stand and carrying handle and is supplied with a 10 m mains cable and a level switch for automatic start and stop.

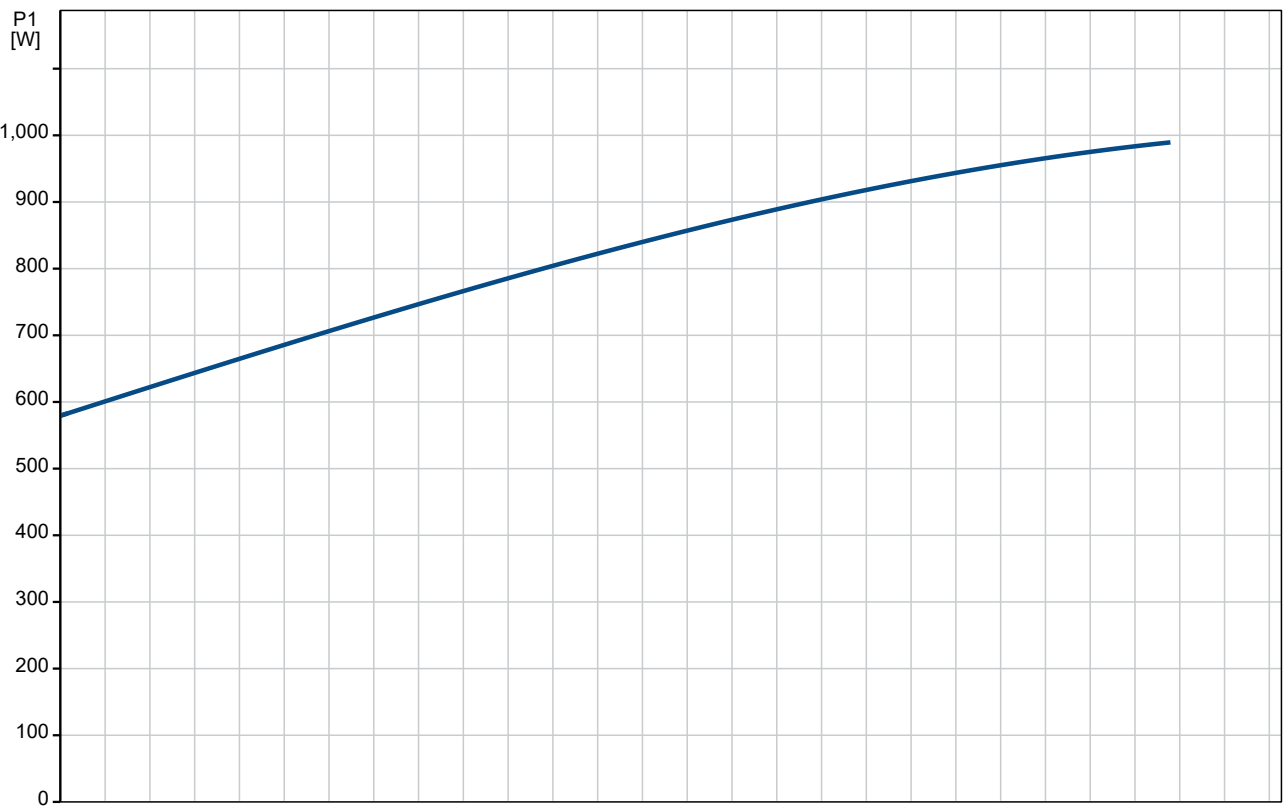
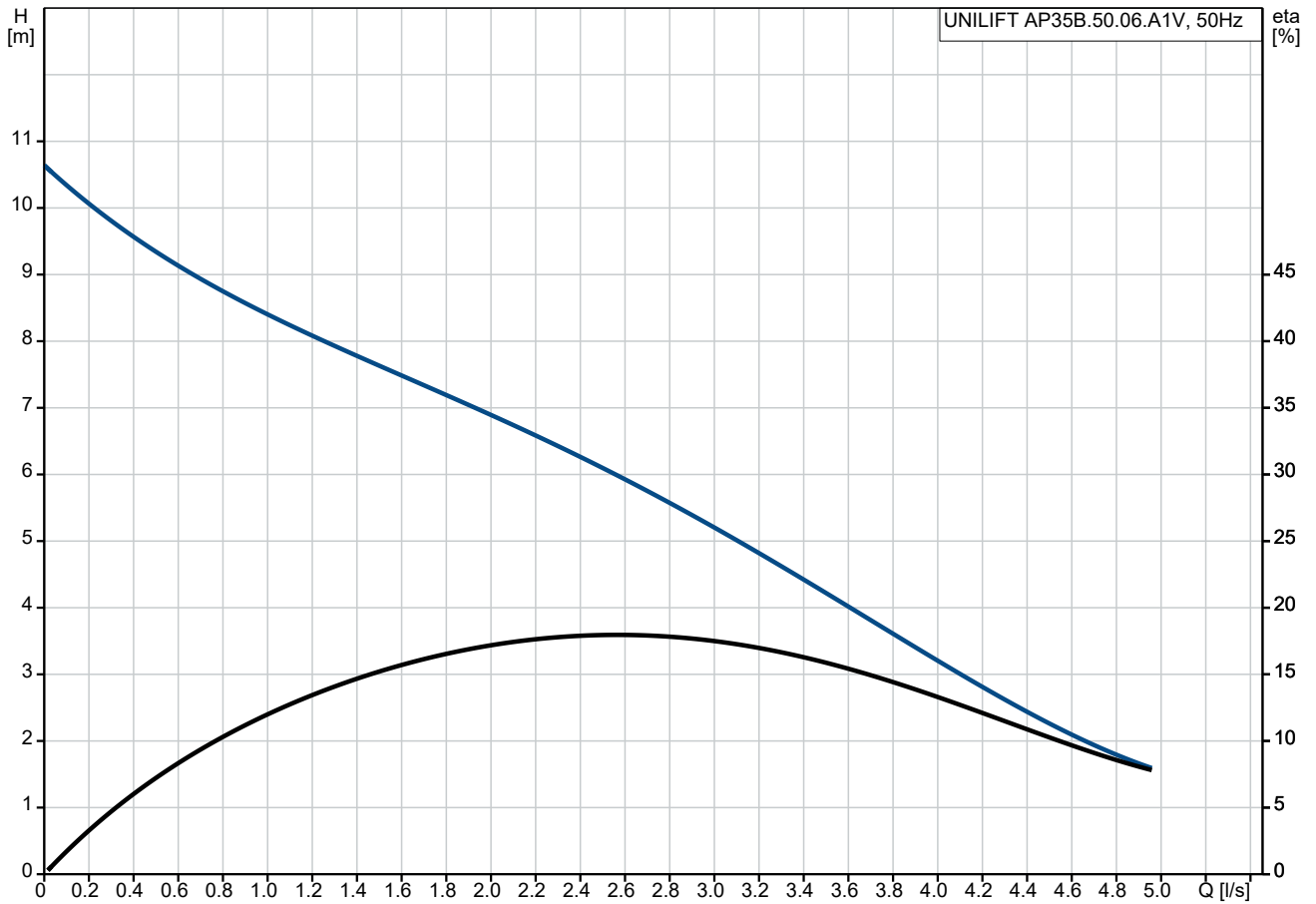
The impeller is a VORTEX impeller for 35 mm free passage suitable for pumping surface water, groundwater, wastewater and similar.

The pump has a double shaft seal and an intermediate oil chamber pre-filled with non-toxic special oil.

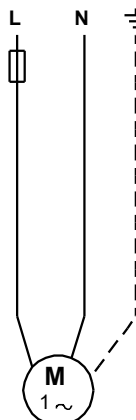
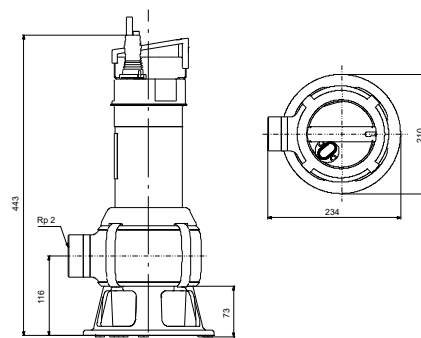
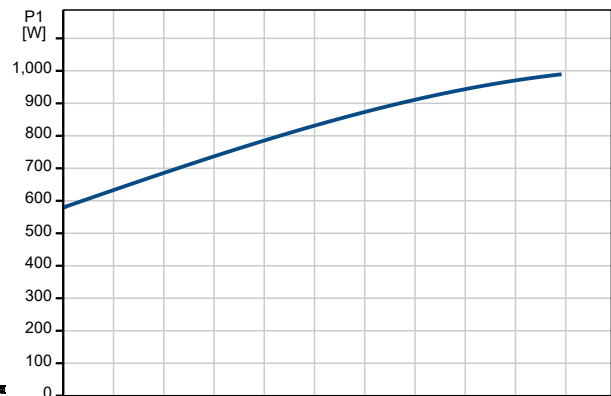
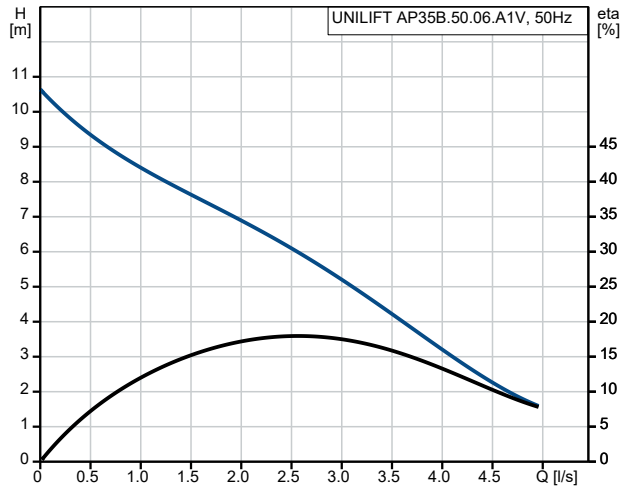
The motor is insulation class F with thermal overload protection and has long-life deep-groove greased-for-life ball bearings.

The pump has Rp 2 inch discharge port and is ready for installation either free-standing or on an auto-coupling system.

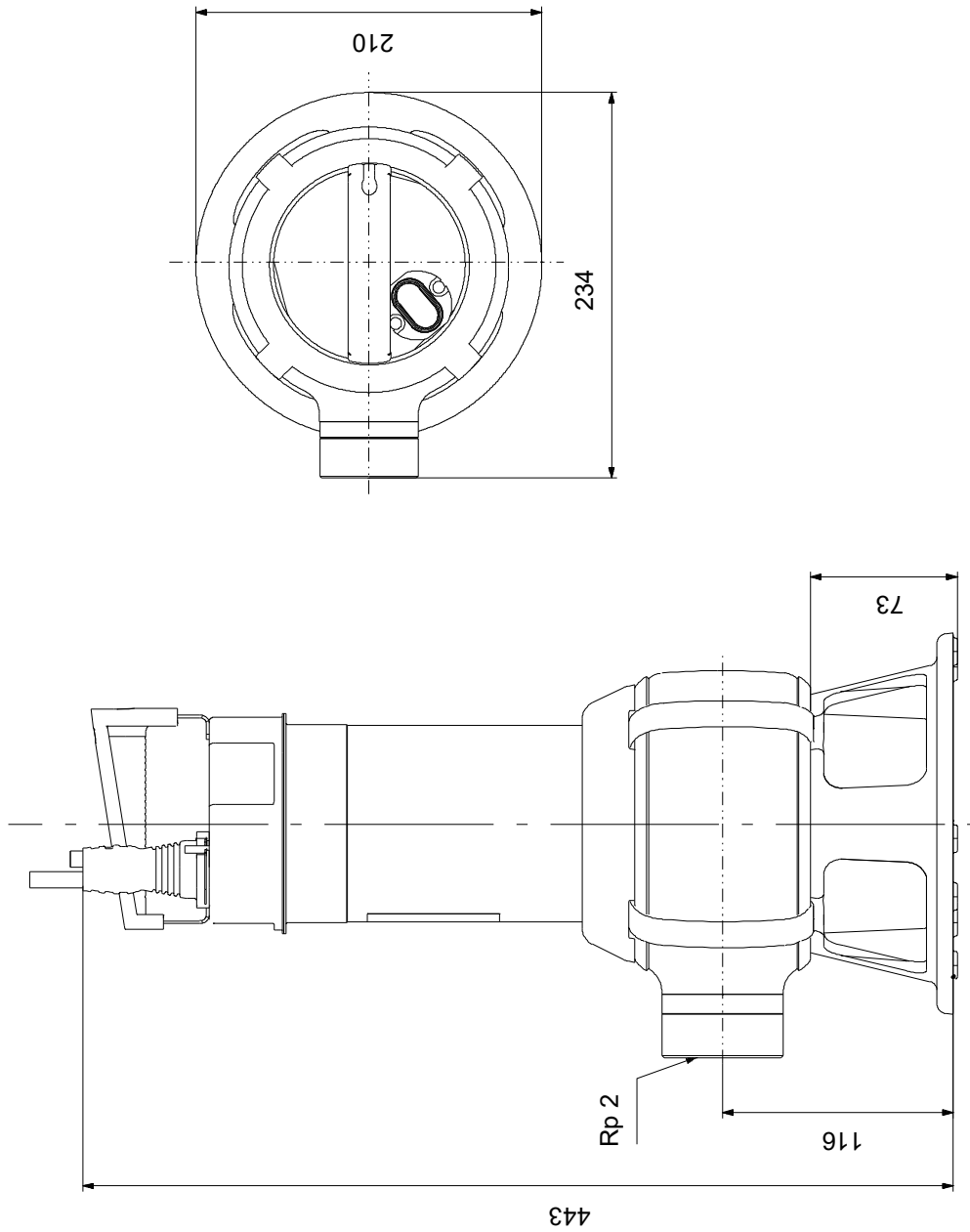
## On request UNILIFT AP35B.50.06.A1V 50 Hz



Description	Value
<b>General information:</b>	
Product name:	UNILIFT AP35B.50.06.A1V
Product No:	On request
EAN number:	On request
<b>Technical:</b>	
Maximum flow:	5 l/s
Maximum head:	11 m
Type of impeller:	VORTEX
Max. Particle:	35 mm
Approvals:	CE,RCM,VDE,LGABG,EAC,TUV RHWID,MORO,UKCA,SEPRO
<b>Materials:</b>	
Pump housing:	Stainless steel
Pump housing:	EN 1.4301
Pump housing:	AISI 304
Impeller:	Stainless steel
Impeller:	EN 1.4301
Impeller:	AISI 304
<b>Installation:</b>	
Range of ambient temperature:	0 .. 40 °C
Type of connection:	Rp
Size of connection:	2 inch
Maximum installation depth:	7 m
Inst dry/wet:	S
Installation:	horizontal or vertical
Auto-coupling:	Y
Place of installation:	Indoor/outdoor
<b>Liquid:</b>	
Liquid temperature range:	0 .. 40 °C
Density:	998.2 kg/m <sup>3</sup>
<b>Electrical data:</b>	
Power input P1:	1 kW
Motor type 1-phase:	PSC
Rated power - P2:	0.66 kW
Mains frequency:	50 Hz
Rated voltage:	1 x 230 V
Rated current:	4.6 A
Cos phi - power factor:	0.98
Rated speed:	2810 rpm
Capacitor size - run:	16 µF/400 V
Enclosure class (IEC 34-5):	IP68
Insulation class (IEC 85):	F
Built-in motor protection:	CONTACT
Thermal protec:	internal
Length of power cable:	10 m
Type of cable plug:	SCHUKO
<b>Controls:</b>	
Level switch:	float switch
<b>Others:</b>	
Net weight:	10.5 kg
Gross weight:	12.2 kg
Danish VVS No.:	391270322
Swedish RSK No.:	5886038
Country of origin:	HU
Custom tariff no.:	84137021
Environmental approvals:	WEEE



**On request UNILIFT AP35B.50.06.A1V 50 Hz**



Note! All units are in [mm] unless others are stated.  
Disclaimer: This simplified dimensional drawing does not show all details.

