

Qty. Description

1 PM 1



Note! Product picture may differ from actual product

Product No.: On request

The Grundfos PM 1 pressure manager is designed for automatic start/stop control of Grundfos pumps and other water supply pumps.

The PM 1 is suitable for applications where start/stop of the pump according to consumption is needed.

The PM 1 starts the pump when the start pressure is reached, and the pump keeps running as long as there is a flow.

The PM 1 offers dry-running protection and cycling alarm for increased safety.

Controls:

Type of connector: Type E/F (CEE7/7)

Dry running protection: YES

Liquid:

Liquid temperature range: 0 .. 40 °C

Technical:

Approvals: CE,EAC,RCM

Approvals for drinking water: WRAS,ACS

Return valve: YES

Adjustable start pressure (Yes/No): N

Start pressure: 1.5 bar

Tank volume: 0.1 l

Materials:

Pump housing: Composite
Polypropylene

Installation:

Maximum ambient temperature: 50 °C

Inlet connect: G1"

Outlet connect: G1"

Inlet thread: EXTERNAL

Outlet thread: EXTERNAL

Electrical data:

P1 max.: 1200 W

Mains frequency: 50 / 60 Hz

Suitable for 50/60 Hz: Yes

Rated voltage: 1 x 220-240 V

Maximum current consumption: 10 A

Enclosure class (IEC 34-5): IP65

Length of cable: 1.5 m

Length of power cable: 0.5 m

Power plug: Schuko plug



Company name:

Created by:

Phone:

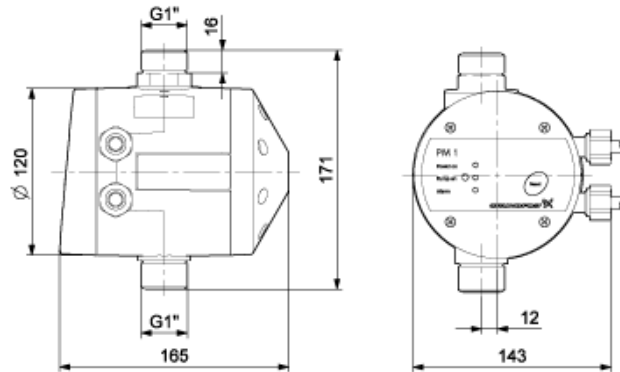
Date:

28/11/2023

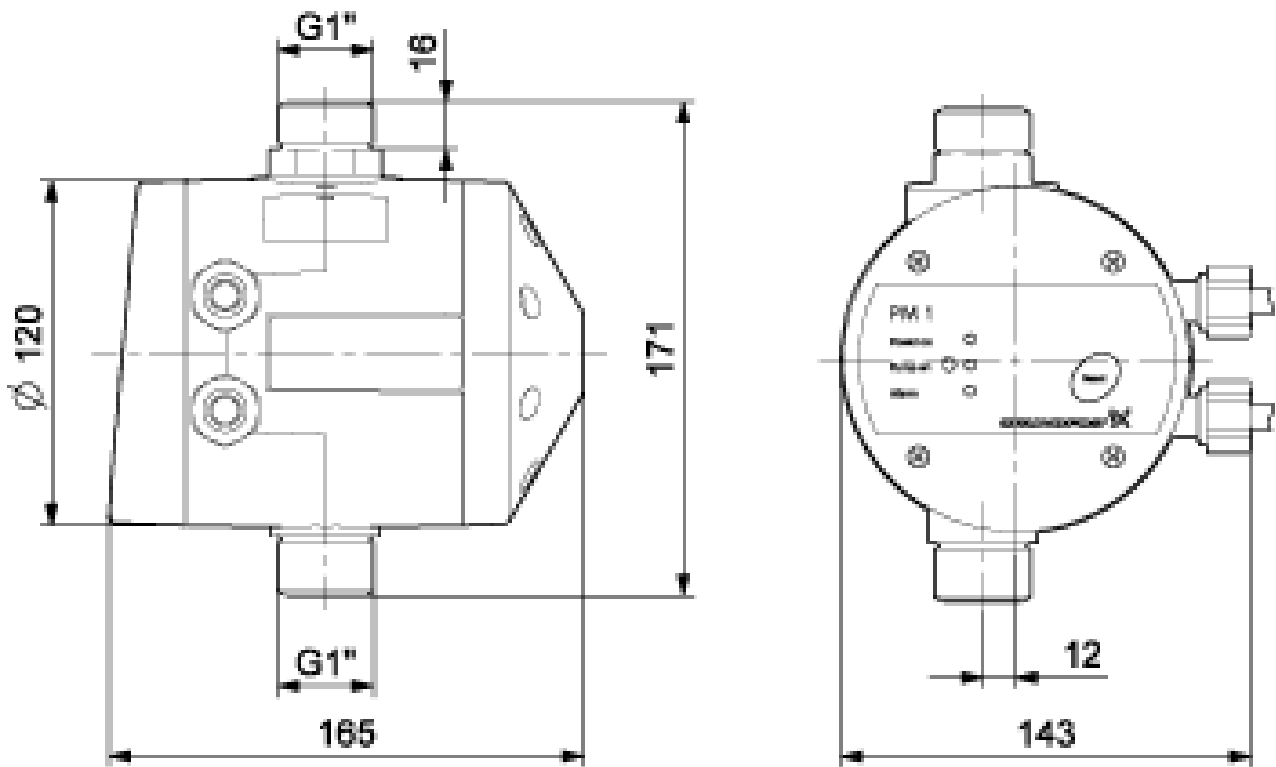
Qty.	Description
------	-------------

1	Others: Net weight: 0.89 kg Gross weight: 1.68 kg Shipping volume: 0.01 m ³ Danish VVS No.: 385189050 Finnish LVI No.: 4772011 Country of origin: IT Custom tariff no.: 85371098 Environmental approvals: WEEE
---	---

Description	Value
General information:	
Product name:	PM 1
Product No:	On request
EAN number:	On request
Technical:	
Approvals:	CE,EAC,RCM
Approvals for drinking water:	WRAS,ACS
Return valve:	YES
Adjustable start pressure (Yes/No):	N
Start pressure:	1.5 bar
Tank volume:	0.1 l
Materials:	
Pump housing:	Composite
Pump housing:	Polypropylene
Installation:	
Maximum ambient temperature:	50 °C
Inlet connect:	G1"
Outlet connect:	G1"
Inlet thread:	EXTERNAL
Outlet thread:	EXTERNAL
Liquid:	
Liquid temperature range:	0 .. 40 °C
Electrical data:	
P1 max.:	1200 W
Mains frequency:	50 / 60 Hz
Suitable for 50/60 Hz:	Yes
Rated voltage:	1 x 220-240 V
Maximum current consumption:	10 A
Enclosure class (IEC 34-5):	IP65
Length of cable:	1.5 m
Length of power cable:	0.5 m
Power plug:	Schuko plug
Controls:	
Type of connector:	Type E/F (CEE7/7)
Dry running protection:	YES
Others:	
Net weight:	0.89 kg
Gross weight:	1.68 kg
Shipping volume:	0.01 m ³
Danish VVS No.:	385189050
Finnish LVI No.:	4772011
Country of origin:	IT
Custom tariff no.:	85371098
Environmental approvals:	WEEE



On request PM 1



Note! All units are in [mm] unless others are stated.
Disclaimer: This simplified dimensional drawing does not show all details.

