


Qty.	Description
1	<p data-bbox="204 450 316 479">MD.12.1.4</p>  <p data-bbox="593 795 1062 819" style="text-align: center;">Note! Product picture may differ from actual product</p> <p data-bbox="204 828 478 853">Product No.: On request</p> <p data-bbox="204 891 1394 965">Supplied as complete unit ready for installation, MULTILIFT consist of a fully integrated collecting tank with two pumps and submersible motors, non-return valve with integrated Y-branch pipe, discharge adapter with flexible connection piece DN100 mounted on the collecting tank and a pre-wired controller including a level sensor.</p> <p data-bbox="204 1003 1433 1055">The fully integrated collecting tank has all necessary ports for the connection of inlet pipe, discharge pipe, vent pipe and a manually operated diaphragm pump (accessory).</p> <p data-bbox="204 1093 667 1120">The collecting tank contains 8 inlet sockets.</p> <p data-bbox="204 1126 1457 1200">The back inlet DN100 is placed on a patented inlet disk connecting all inlet pipe levels (centre) between 180 and 315mm stepless. There are DN100 and DN50 inlet sockets on each side and two DN150, DN50 sockets on the top of the tank.</p> <p data-bbox="204 1238 1286 1294">MULTILIFT corrosion-free polyethylen collecting tanks are gas- and odour-proof as well as watertight. The chamfered bottom design ensures a reduction of residual water and less sedimentation.</p> <p data-bbox="204 1332 1098 1415">The pump features a Vortex impeller and a maintenance free submersible motor. The oil chamber is with physiological harmless oil filling between two shaft seals. Direction of rotation can be observed from outside over the shaft below the eye bolt.</p> <p data-bbox="204 1453 1437 1509">The LC 231 or LC 241 level controllers offer a comprehensive range of features for control and monitoring of pumps in MULTILIFTs.</p> <p data-bbox="204 1516 1422 1572">The controllers are designed for level control, monitoring and protection of Grundfos lifting stations with one or two pumps.</p> <p data-bbox="204 1579 1334 1606">An analogue level sensor is integrated into the controller and connected to the sensor tube by an air hose.</p> <p data-bbox="204 1644 1449 1700">The controller is pre-set from factory to the lowest possible starting level. Adjustment to a higher starting level can be done with the Grundfos GO app.</p> <p data-bbox="204 1706 1377 1769">With the Grundfos GO app, all detailed pump settings can be easily configured, monitored and commissioned. The display also offers the possibility to change the operating mode from auto to manual start/stop. The controller is equipped with configurable input/output terminals.</p> <p data-bbox="204 1807 1460 1863">The controller integrates seamlessly into the Grundfos range of communication modules, ensuring an easy fit into any supervisory system such as SCADA or Grundfos CLOUD.</p> <p data-bbox="204 1870 1453 1924">With the built-in motor protection, and the current measurement, the LC controller provide a service indicator function that helps keep track of when service is needed.</p> <p data-bbox="204 1930 1054 1957">The controller maintains a detailed alarm and warning log with the last 20 alerts.</p> <p data-bbox="204 1964 1453 2020">The alarm log can be accessed remotely via SCADA or Grundfos CLOUD. You can also use Grundfos GO to inspect the logs in localized, translated text for easy troubleshooting and remedial measures at the pumping station.</p> <p data-bbox="204 2067 1174 2094">Configurable input/output terminals that can be used as digital input/output, analogue input.</p>

Project:

Reference Number:

Client:

Client Number:

Contact:

Qty.	Description
1	<p>Prevent the mains load when several pumping stations are started up at the same time with power-on delay.</p> <ul style="list-style-type: none"> - Selection of automatic alarm resetting - Setting of stop delays matching the actual operating conditions - Shows the actual liquid level - Alarm indication via a build in buzzer - Alarm indication of: <ul style="list-style-type: none"> - Power/current overload - High water level - Optional high water level alarm (needs additional level switch) - Incorrect phase sequences or missing phase - Sensor inconsistency or failure - Intrusion detection - Water on floor - Too many restarts - Pump overheating and moisture detection <p>The MULTILIFT range is designed according to the EN12050-1 standard, approved and monitored by external institute LGA. Further approvals are VDE, GHOST, CB, EMV</p> <p>Controls: Type of control box: LC241</p> <p>Liquid: Liquid temperature range: 0 .. 40 °C Density: 998.2 kg/m³</p> <p>Technical: Pump speed on which pump data are based: 1430 rpm Rated flow: 5.5 l/s Maximum flow: 13.9 l/s Rated head: 6.2 m Type of impeller: VORTEX Max. Particle: 50 mm Approvals: CE,EAC,MORO,UKCA,SEPRO Non-return valve type: Flap valve</p> <p>Materials: Pump housing: LDPE Impeller: LURANYL Tank: PLASTIC LDPE Gasket: NBR</p> <p>Installation: Range of ambient temperature: 0 .. 40 °C Type of outlet connection: DIN Size of outlet connection: DN 80 Pressure rating for connection: PN 6</p> <p>Electrical data: Power input P1: 1.9 kW Rated power - P2: 1.4 kW Mains frequency: 50 Hz</p>



Company name:

Created by:

Phone:

Date: 29/11/2023

Project:

Reference Number:

Client:

Client Number:

Contact:

Qty.	Description
1	<p>Rated voltage: 1 x 230 V Voltage tolerance: +10/-14 % Max starts per hour: 60 Rated current: 2 X 9,0 A Cos phi - power factor: 0.93 Motor efficiency at full load: 71.4 % Capacitor size - run: 60 µF Number of poles: 4 Start. method: direct-on-line Enclosure class (IEC 34-5): IP68 Insulation class (IEC 85): F Length of cable: 1.5 m Power plug: CEE 2P+PE</p> <p>Tank: Total volume of tank(s): 130 l Total effective volume of collecting tank at 180 mm inlet: 49 l Total effective volume of collecting tank at 250 mm inlet: 69 l Total effective volume of collecting tank at 315 mm inlet: 86 l</p> <p>Others: Net weight: 118 kg Gross weight: 141 kg Danish VVS No.: 154031012 Norwegian NRF no.: 9045344 Country of origin: DE Custom tariff no.: 84137021</p>



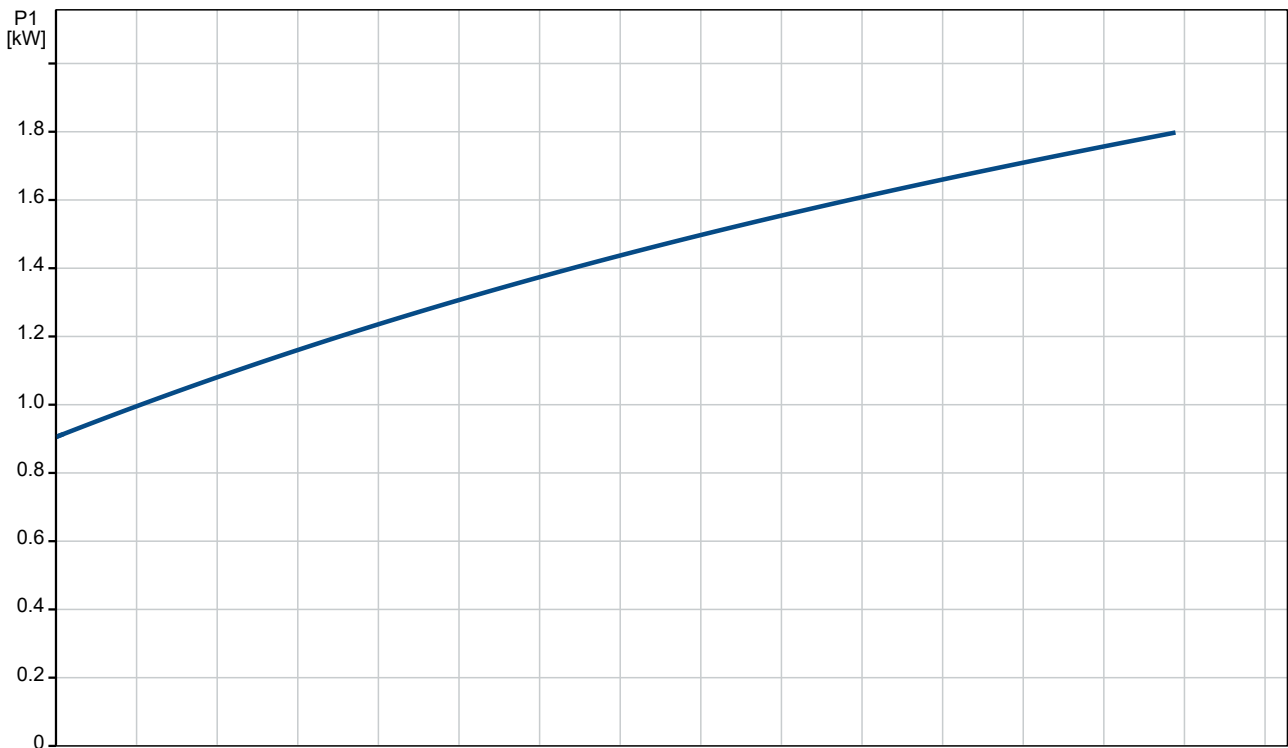
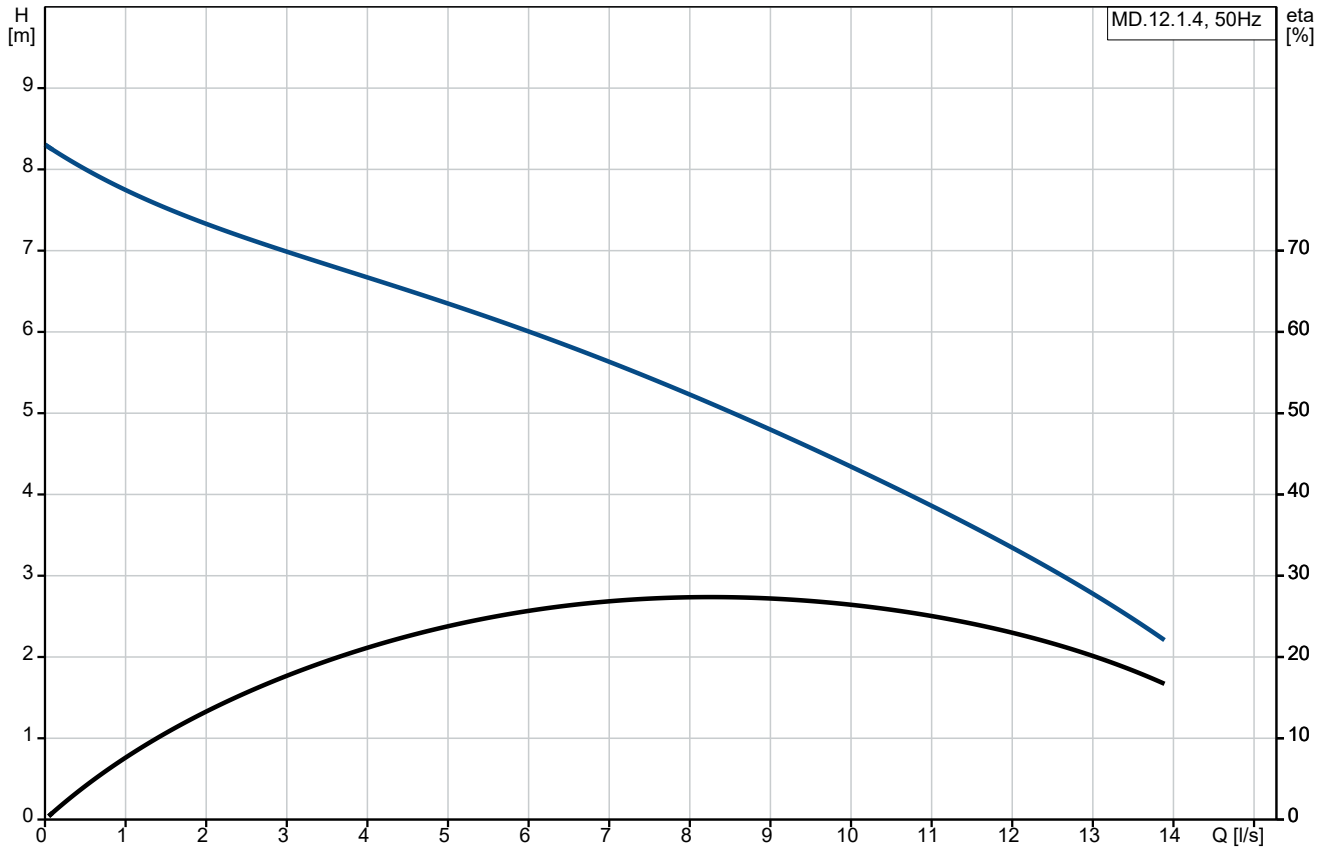
Company name:
Created by:
Phone:

Date: 29/11/2023

Project:
Reference Number:

Client:
Client Number:
Contact:

On request MD.12.1.4 50 Hz



Project:

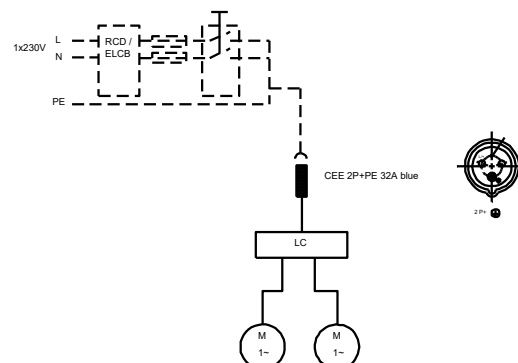
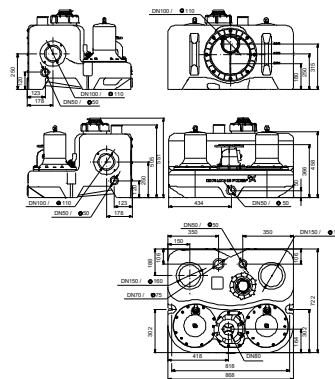
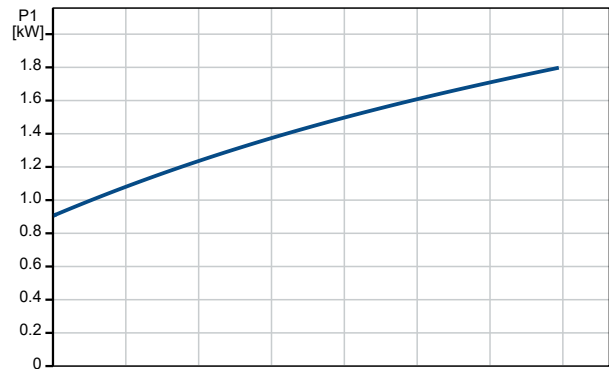
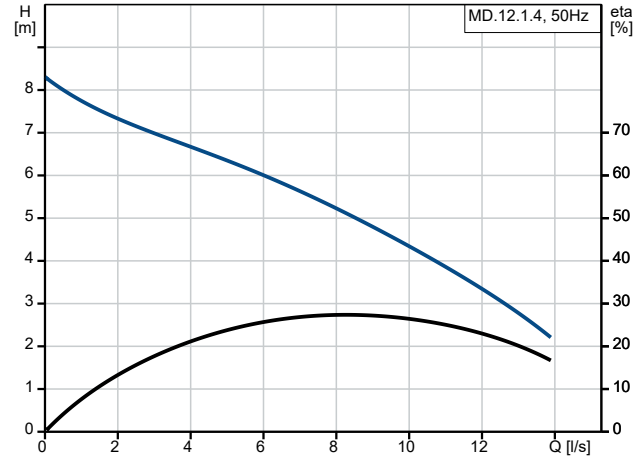
Reference Number:

Client:

Client Number:

Contact:

Description	Value
General information:	
Product name:	MD.12.1.4
Product No:	On request
EAN number:	On request
Technical:	
Pump speed on which pump data are based:	1430 rpm
Rated flow:	5.5 l/s
Maximum flow:	13.9 l/s
Rated head:	6.2 m
Maximum head:	8.3 m
Type of impeller:	VORTEX
Max. Particle:	50 mm
Approvals:	CE,EAC,MORO,UKCA,SE PRO
Non-return valve type:	Flap valve
Materials:	
Pump housing:	LDPE
Impeller:	LURANYL
Tank:	PLASTIC
Tank:	LDPE
Gasket:	NBR
Installation:	
Range of ambient temperature:	0 .. 40 °C
Type of outlet connection:	DIN
Size of outlet connection:	DN 80
Pressure rating for connection:	PN 6
Liquid:	
Liquid temperature range:	0 .. 40 °C
Density:	998.2 kg/m ³
Electrical data:	
Power input P1:	1.9 kW
Rated power - P2:	1.4 kW
Mains frequency:	50 Hz
Rated voltage:	1 x 230 V
Voltage tolerance:	+10/-14 %
Max starts per hour:	60
Rated current:	2 X 9,0 A
Cos phi - power factor:	0.93
Motor efficiency at full load:	71.4 %
Capacitor size - run:	60 µF
Number of poles:	4
Start. method:	direct-on-line
Enclosure class (IEC 34-5):	IP68
Insulation class (IEC 85):	F
Thermal protec:	BIMETAL THERMAL SWITCH
Length of cable:	1.5 m
Motor cable:	4 m
Cable type:	H07 RN-F
Power plug:	CEE 2P+PE
Cable size:	4X1,5+2X1
Mains cable:	H05 VV-F
Controls:	
Type of control box:	LC241





Company name:

Created by:

Phone:

Date: 29/11/2023

Project:

Reference Number:

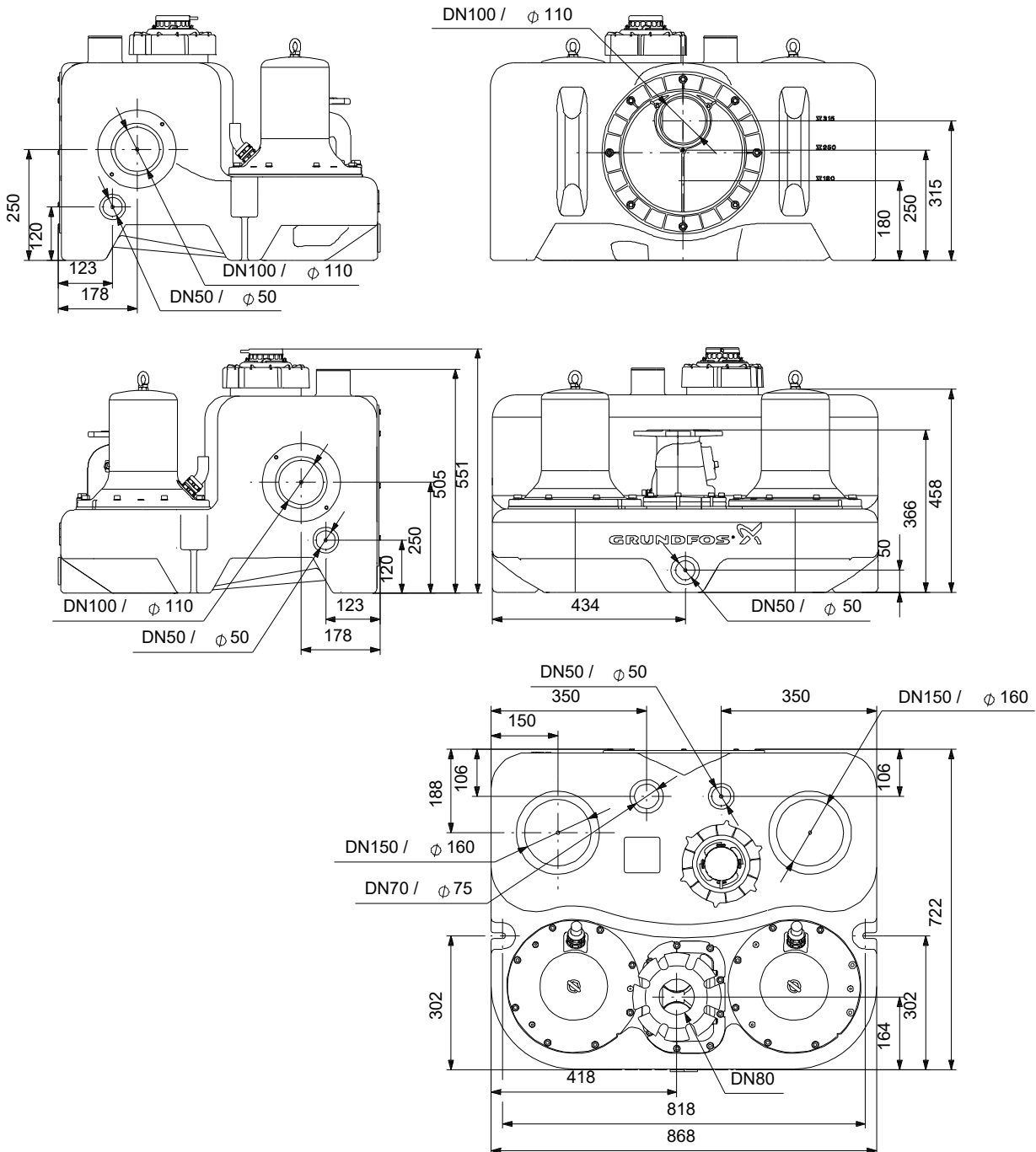
Client:

Client Number:

Contact:

Description	Value
Operation mode:	S3-50%,1MIN
Tank:	
Total volume of tank(s):	130 l
Total effective volume of collecting tank at 180 mm inlet:	49 l
Total effective volume of collecting tank at 250 mm inlet:	69 l
Total effective volume of collecting tank at 315 mm inlet:	86 l
Others:	
Net weight:	118 kg
Gross weight:	141 kg
Danish VVS No.:	154031012
Norwegian NRF no.:	9045344
Country of origin:	DE
Custom tariff no.:	84137021

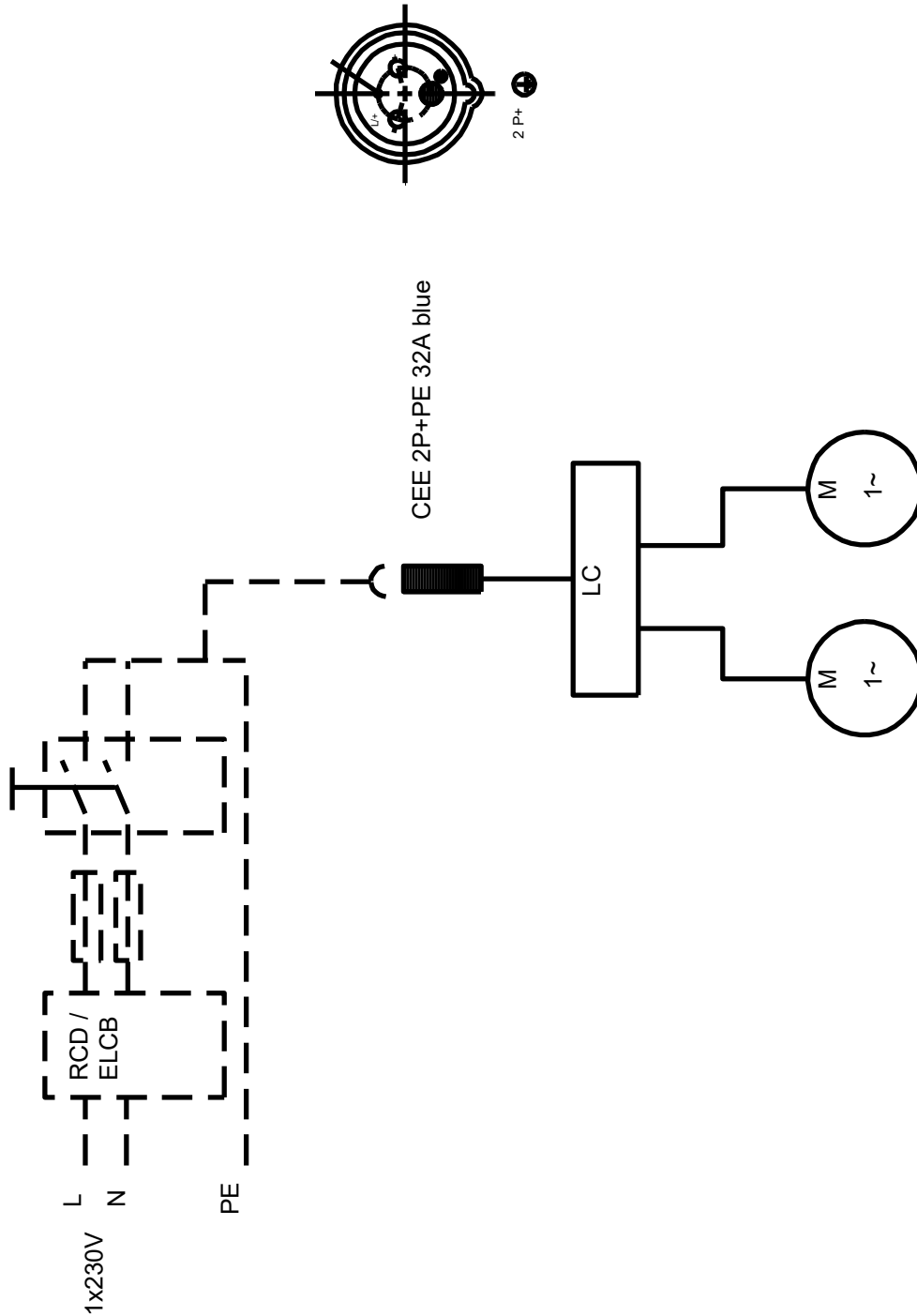
On request MD.12.1.4 50 Hz



Note! All units are in [mm] unless others are stated.

Disclaimer: This simplified dimensional drawing does not show all details.

On request MD.12.1.4 50 Hz



Note! All units are in [mm] unless others are stated.

