

Project:

Reference Number:

Client:

Client Number:

Contact:

Qty. Description

1 MOG.15.3.2



Note! Product picture may differ from actual product

Product No.: On request

Supplied as complete unit ready for installation, MULTILIFT consist of a fully integrated collecting tank with grinder pump and submersible motor mounted on the collecting tank and a pre-wired controller including a level sensor (non-return valves and discharge pipes are available as accessories).

The fully integrated collecting tank has all necessary ports for the connection of inlet pipe, discharge pipe, vent pipe and a manually operated diaphragm pump (accessory).

The collecting tank contains 7 inlet sockets.

The back inlet DN100 is placed on a patented inlet disk to connect all inlet pipe levels (centre) between 180 and 315 mm stepless.

There are DN100 and DN50 inlet sockets on each side and DN150, DN50 sockets on the top of the tank.

MULTILIFT corrosion-free polyethylen collecting tanks are gas- and odour-proof as well as watertight.

The chamfered bottom design ensures a reduction of residual water and less sedimentation.

The grinder pump features a Vortex impeller, submersible motor.

The oil chamber is with physiological harmless oil filling between a mechanical cartridge shaft seal.

Pump discharges with inner threads of 1 1/4 inch.

The LC 231 or LC 241 level controllers offer a comprehensive range of features for control and monitoring of pumps in MULTILIFTs.

The controllers are designed for level control, monitoring and protection of Grundfos lifting stations with one or two pumps.

An analogue level sensor is integrated into the controller and connected to the sensor tube by an air hose.

The controller is pre-set from factory to the lowest possible starting level. Adjustment to a higher starting level can be done with the Grundfos GO app.

With the Grundfos GO app, all detailed pump settings can be easily configured, monitored and commissioned.

The display also offers the possibility to change the operating mode from auto to manual start/stop.

The controller is equipped with configurable input/output terminals.

The controller integrates seamlessly into the Grundfos range of communication modules, ensuring an easy fit into any supervisory system such as SCADA or Grundfos CLOUD.

With the built-in motor protection, and the current measurement, the LC controller provide a service indicator function that helps keep track of when service is needed.

The controller maintains a detailed alarm and warning log with the last 20 alerts.

The alarm log can be accessed remotely via SCADA or Grundfos CLOUD. You can also use Grundfos GO to inspect the logs in localized, translated text for easy troubleshooting and remedial measures at the pumping station.

Configurable input/output terminals that can be used as digital input/output, analogue input.

Project:

Reference Number:

Client:

Client Number:

Contact:

Qty.	Description
1	<p>Prevent the mains load when several pumping stations are started up at the same time with power-on delay.</p> <ul style="list-style-type: none"> - Selection of automatic alarm resetting - Setting of stop delays matching the actual operating conditions - Shows the actual liquid level - Alarm indication via a build in buzzer - Alarm indication of: <ul style="list-style-type: none"> - Power/current overload - High water level - Optional high water level alarm (needs additional level switch) - Incorrect phase sequences or missing phase - Sensor inconsistency or failure - Intrusion detection - Water on floor - Too many restarts - Pump overheating and moisture detection <p>The MULTILIFT range is designed according to the EN12050-1 standard, approved and monitored by external institute LGA. Further approvals are VDE, GHOST, CB, EMV</p> <p>Technical:</p> <p>Pump speed on which pump data are based: 2700 rpm</p> <p>Rated flow: 0.889 l/s</p> <p>Maximum flow: 5.2 l/s</p> <p>Rated head: 24 m</p> <p>Type of impeller: GRINDER SYSTEM</p> <p>Max. Particle: 50 mm</p> <p>Approvals: CE,EAC,MORO,UKCA,SEPRO</p> <p>Materials:</p> <p>Pump housing: EN 1561 EN-GJL-200 ASTM A48-30B</p> <p>Tank: PLASTIC LDPE</p> <p>Gasket: SIC/SIC</p> <p>Installation:</p> <p>Range of ambient temperature: 0 .. 40 °C</p> <p>Type of outlet connection: Oval</p> <p>Size of outlet connection: DN 32</p> <p>Pressure rating for connection: PN 6</p> <p>Liquid:</p> <p>Liquid temperature range: 0 .. 40 °C</p> <p>Density: 998.2 kg/m³</p> <p>Electrical data:</p> <p>Power input P1: 2.3 kW</p> <p>Rated power - P2: 1.5 kW</p> <p>Mains frequency: 50 Hz</p> <p>Rated voltage: 3 x 400 V</p> <p>Voltage tolerance: +10/-10 %</p> <p>Max starts per hour: 60</p> <p>Rated current: 3.8 A</p>



Company name:

Created by:

Phone:

Date: 29/11/2023

Project:

Reference Number:

Client:

Client Number:

Contact:

Qty.	Description
1	<p>Cos phi - power factor: 0.87 Motor efficiency at full load: 72 % Number of poles: 2 Start. method: direct-on-line Enclosure class (IEC 34-5): IP68 Insulation class (IEC 85): F Built-in motor protection: THERMAL SWITCH Length of cable: 1.5 m Power plug: CEE 3P+N+E</p> <p>Controls: Type of control box: LC231</p> <p>Tank: Total volume of tank(s): 93 l Total effective volume of collecting tank at 180 mm inlet: 23 l Total effective volume of collecting tank at 250 mm inlet: 37 l Total effective volume of collecting tank at 315 mm inlet: 50 l</p> <p>Others: Net weight: 69.4 kg Gross weight: 92.8 kg Danish VVS No.: 154032215 Swedish RSK No.: 5886081 Finnish LVI No.: 4965369 Norwegian NRF no.: 9045336 Country of origin: DE Custom tariff no.: 84137021 Environmental approvals: WEEE</p>



Company name:

Created by:

Phone:

Date:

29/11/2023

Project:

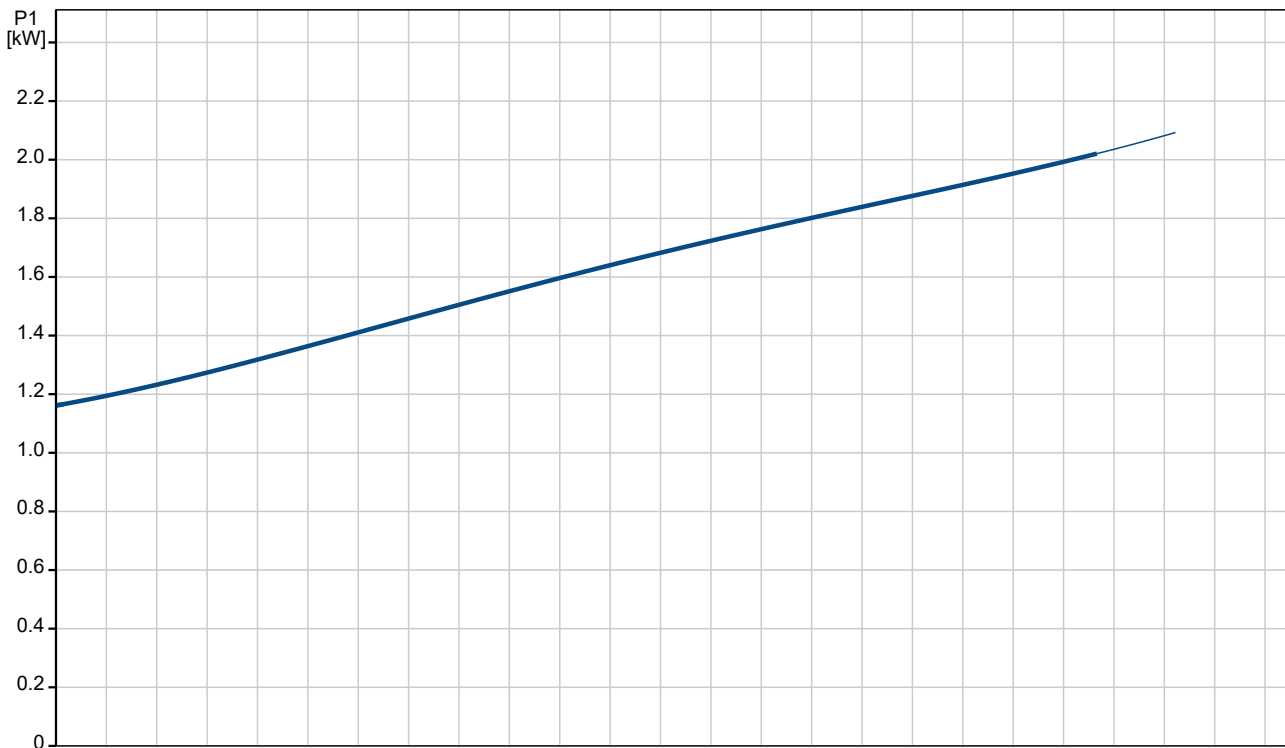
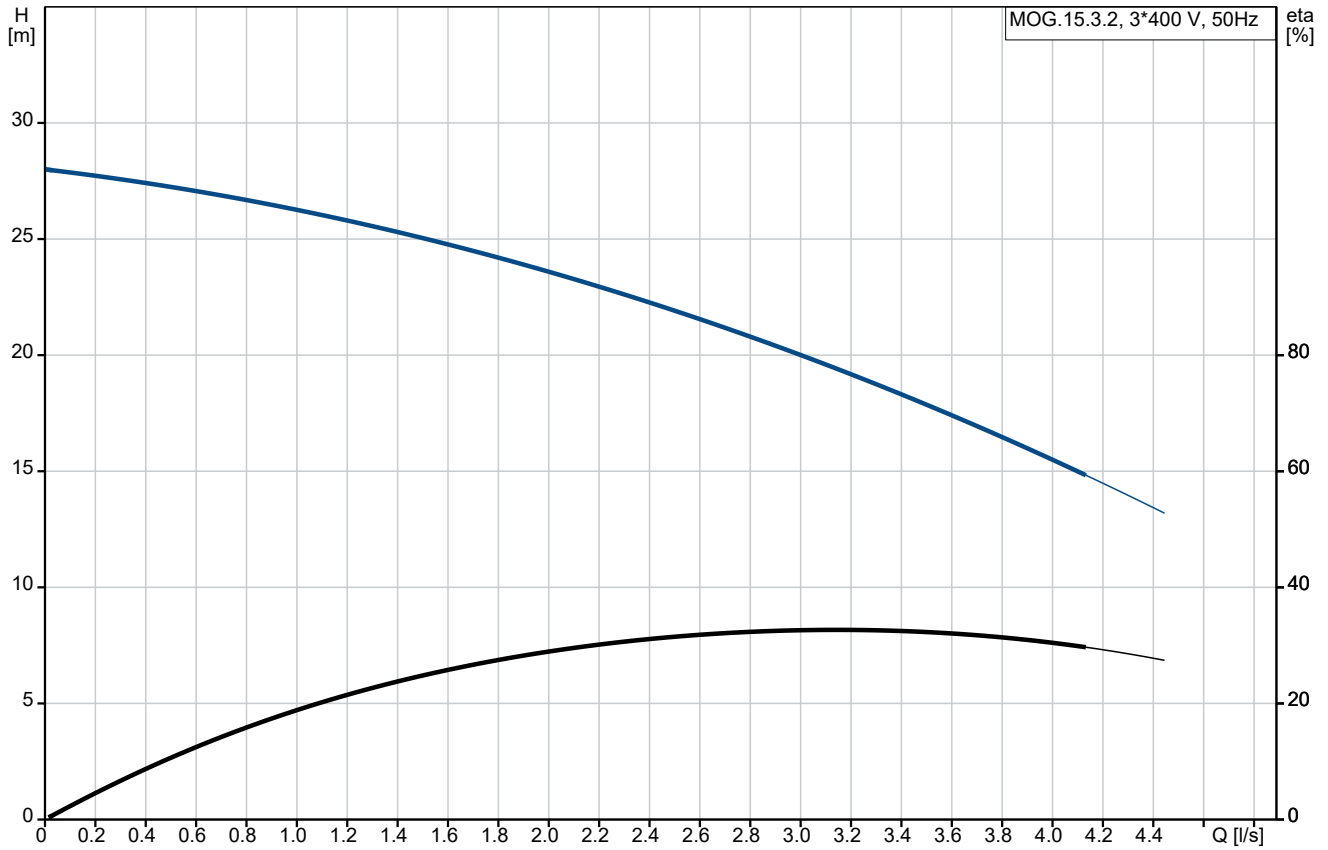
Reference Number:

Client:

Client Number:

Contact:

On request MOG.15.3.2 50 Hz



Project:

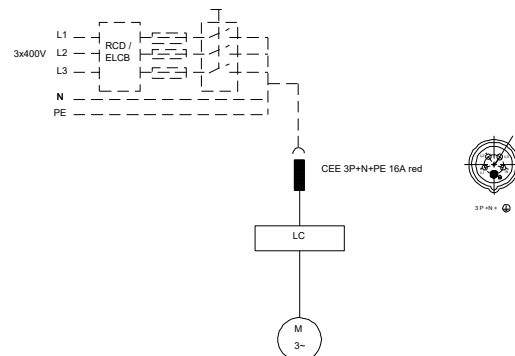
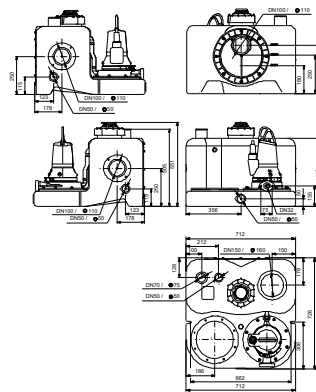
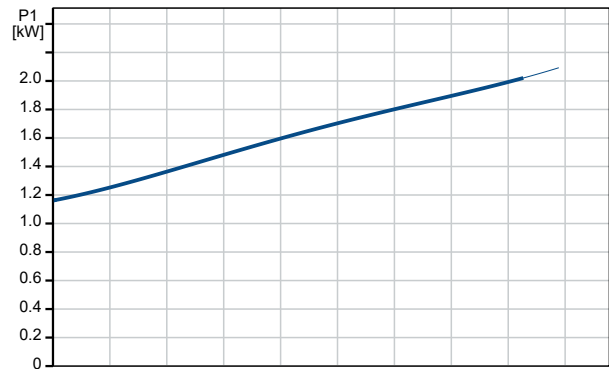
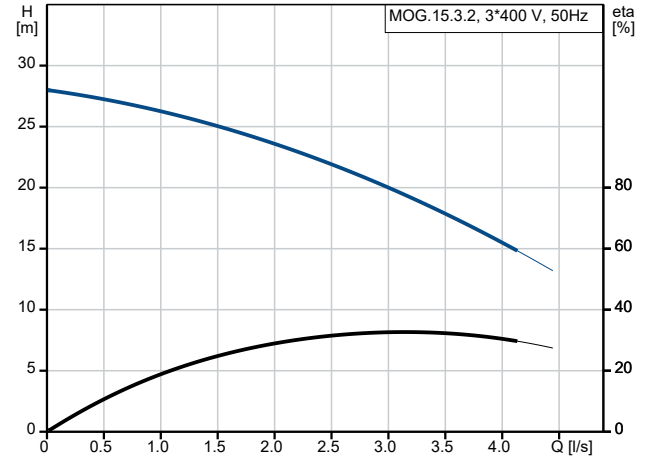
Reference Number:

Client:

Client Number:

Contact:

Description	Value
General information:	
Product name:	MOG.15.3.2
Product No:	On request
EAN number:	On request
Technical:	
Pump speed on which pump data are based:	2700 rpm
Rated flow:	0.889 l/s
Maximum flow:	5.2 l/s
Rated head:	24 m
Maximum head:	25.8 m
Type of impeller:	GRINDER SYSTEM
Max. Particle:	50 mm
Approvals:	CE,EAC,MORO,UKCA,SE PRO
Materials:	
Pump housing:	EN 1561 EN-GJL-200
Pump housing:	ASTM A48-30B
Tank:	PLASTIC
Tank:	LDPE
Gasket:	SIC/SIC
Installation:	
Range of ambient temperature:	0 .. 40 °C
Type of outlet connection:	Oval
Size of outlet connection:	DN 32
Pressure rating for connection:	PN 6
Liquid:	
Liquid temperature range:	0 .. 40 °C
Density:	998.2 kg/m ³
Electrical data:	
Power input P1:	2.3 kW
Rated power - P2:	1.5 kW
Mains frequency:	50 Hz
Rated voltage:	3 x 400 V
Voltage tolerance:	+10/-10 %
Max starts per hour:	60
Rated current:	3.8 A
Cos phi - power factor:	0.87
Motor efficiency at full load:	72 %
Number of poles:	2
Start. method:	direct-on-line
Enclosure class (IEC 34-5):	IP68
Insulation class (IEC 85):	F
Built-in motor protection:	THERMAL SWITCH
Length of cable:	1.5 m
Motor cable:	10 m
Cable type:	H07RN-F
Power plug:	CEE 3P+N+E
Mains cable:	H05 VV-F
Controls:	
Type of control box:	LC231
Operation mode:	S3-35% 1MIN
Tank:	
Total volume of tank(s):	93 l





Company name:

Created by:

Phone:

Date: 29/11/2023

Project:

Reference Number:

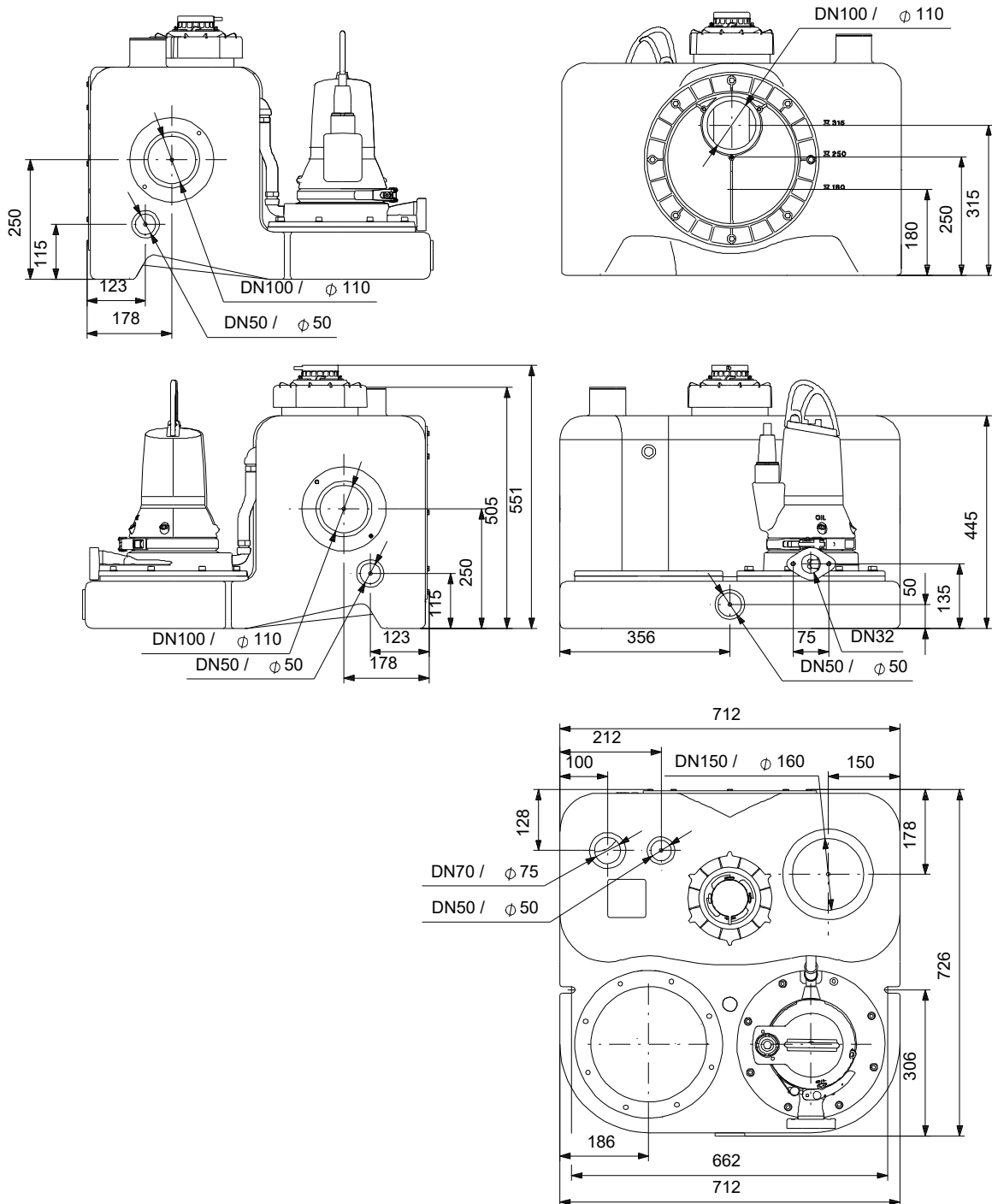
Client:

Client Number:

Contact:

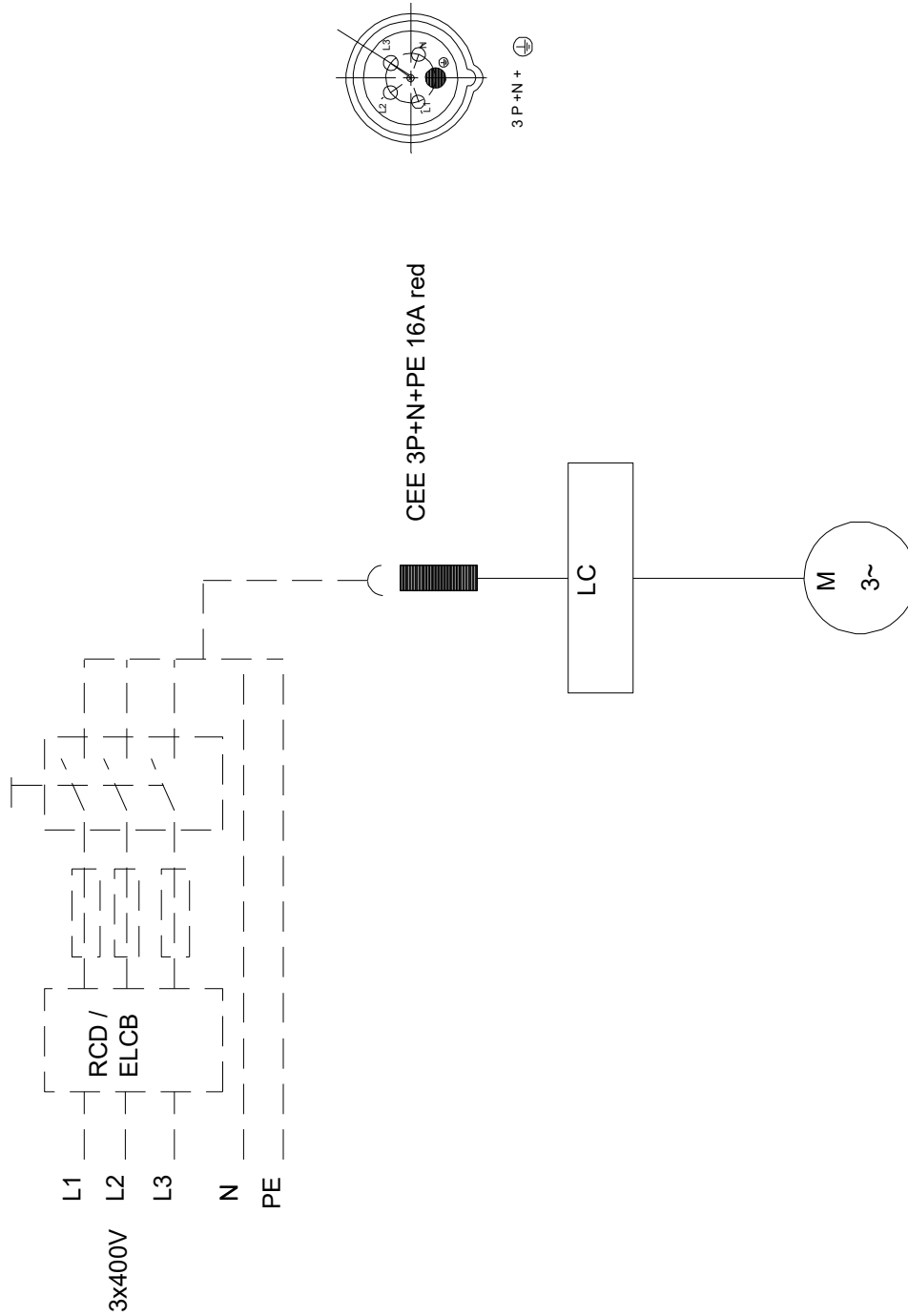
Description	Value
Total effective volume of collecting tank at 180 mm inlet:	23 l
Total effective volume of collecting tank at 250 mm inlet:	37 l
Total effective volume of collecting tank at 315 mm inlet:	50 l
Others:	
Net weight:	69.4 kg
Gross weight:	92.8 kg
Danish VVS No.:	154032215
Swedish RSK No.:	5886081
Finnish LVI No.:	4965369
Norwegian NRF no.:	9045336
Country of origin:	DE
Custom tariff no.:	84137021
Environmental approvals:	WEEE

On request MOG.15.3.2 50 Hz



Note! All units are in [mm] unless others are stated.
Disclaimer: This simplified dimensional drawing does not show all details.

On request MOG.15.3.2 50 Hz



Note! All units are in [mm] unless others are stated.

