


Qty.	Description
1	<p data-bbox="204 450 336 479">MDG.40.3.2</p>  <p data-bbox="592 795 1062 819" style="text-align: center;">Note! Product picture may differ from actual product</p> <p data-bbox="204 828 478 853">Product No.: On request</p> <p data-bbox="204 891 1417 965">Supplied as complete unit ready for installation, MULTILIFT consist of a fully integrated collecting tank with two grinder pumps and submersible motors mounted on the collecting tank and a pre-wired controller including a level sensor (non-return valves and discharge pipes are available as accessories).</p> <p data-bbox="204 1003 1433 1055">The fully integrated collecting tank has all necessary ports for the connection of inlet pipe, discharge pipe, vent pipe and a manually operated diaphragm pump (accessory).</p> <p data-bbox="204 1093 667 1120">The collecting tank contains 7 inlet sockets.</p> <p data-bbox="204 1126 1444 1178">The back inlet DN100 is placed on a patented inlet disk to connect all inlet pipe levels (centre) between 180 and 315 mm stepless.</p> <p data-bbox="204 1184 1321 1211">There are DN100 and DN50 inlet sockets on each side and DN150, DN50 sockets on the top of the tank.</p> <p data-bbox="204 1218 1284 1245">MULTILIFT corrosion-free polyethylen collecting tanks are gas- and odour-proof as well as watertight.</p> <p data-bbox="204 1252 1185 1279">The chamfered bottom design ensures a reduction of residual water and less sedimentation.</p> <p data-bbox="204 1317 895 1344">The grinder pump features a Vortex impeller, submersible motor.</p> <p data-bbox="204 1350 1257 1377">The oil chamber is with physiological harmless oil filling between a mechanical cartridge shaft seal.</p> <p data-bbox="204 1384 730 1411">Pump discharges with inner threads of 1 1/4 inch.</p> <p data-bbox="204 1449 1439 1500">The LC 231 or LC 241 level controllers offer a comprehensive range of features for control and monitoring of pumps in MULTILIFTs.</p> <p data-bbox="204 1507 1422 1559">The controllers are designed for level control, monitoring and protection of Grundfos lifting stations with one or two pumps.</p> <p data-bbox="204 1565 1334 1592">An analogue level sensor is integrated into the controller and connected to the sensor tube by an air hose.</p> <p data-bbox="204 1630 1449 1682">The controller is pre-set from factory to the lowest possible starting level. Adjustment to a higher starting level can be done with the Grundfos GO app.</p> <p data-bbox="204 1688 1377 1715">With the Grundfos GO app, all detailed pump settings can be easily configured, monitored and commissioned.</p> <p data-bbox="204 1722 1257 1749">The display also offers the possibility to change the operating mode from auto to manual start/stop.</p> <p data-bbox="204 1756 911 1783">The controller is equipped with configurable input/output terminals.</p> <p data-bbox="204 1821 1460 1872">The controller integrates seamlessly into the Grundfos range of communication modules, ensuring an easy fit into any supervisory system such as SCADA or Grundfos CLOUD.</p> <p data-bbox="204 1879 1453 1930">With the built-in motor protection, and the current measurement, the LC controller provide a service indicator function that helps keep track of when service is needed.</p> <p data-bbox="204 1937 1054 1964">The controller maintains a detailed alarm and warning log with the last 20 alerts.</p> <p data-bbox="204 1971 1453 2022">The alarm log can be accessed remotely via SCADA or Grundfos CLOUD. You can also use Grundfos GO to inspect the logs in localized, translated text for easy troubleshooting and remedial measures at the pumping station.</p> <p data-bbox="204 2038 1174 2065">Configurable input/output terminals that can be used as digital input/output, analogue input.</p>



Company name:

Created by:

Phone:

Date: 29/11/2023

Project:

Reference Number:

Client:

Client Number:

Contact:

Qty.	Description
1	Rated current: 2 X 8,0 A Cos phi - power factor: 0.92 Motor efficiency at full load: 82 % Number of poles: 2 Start. method: direct-on-line Enclosure class (IEC 34-5): IP68 Insulation class (IEC 85): F Built-in motor protection: THERMAL SWITCH Length of cable: 1.5 m Power plug: CEE 3P+N+E Controls: Type of control box: LC231 Tank: Total volume of tank(s): 93 l Total effective volume of collecting tank at 180 mm inlet: 23 l Total effective volume of collecting tank at 250 mm inlet: 37 l Total effective volume of collecting tank at 315 mm inlet: 50 l



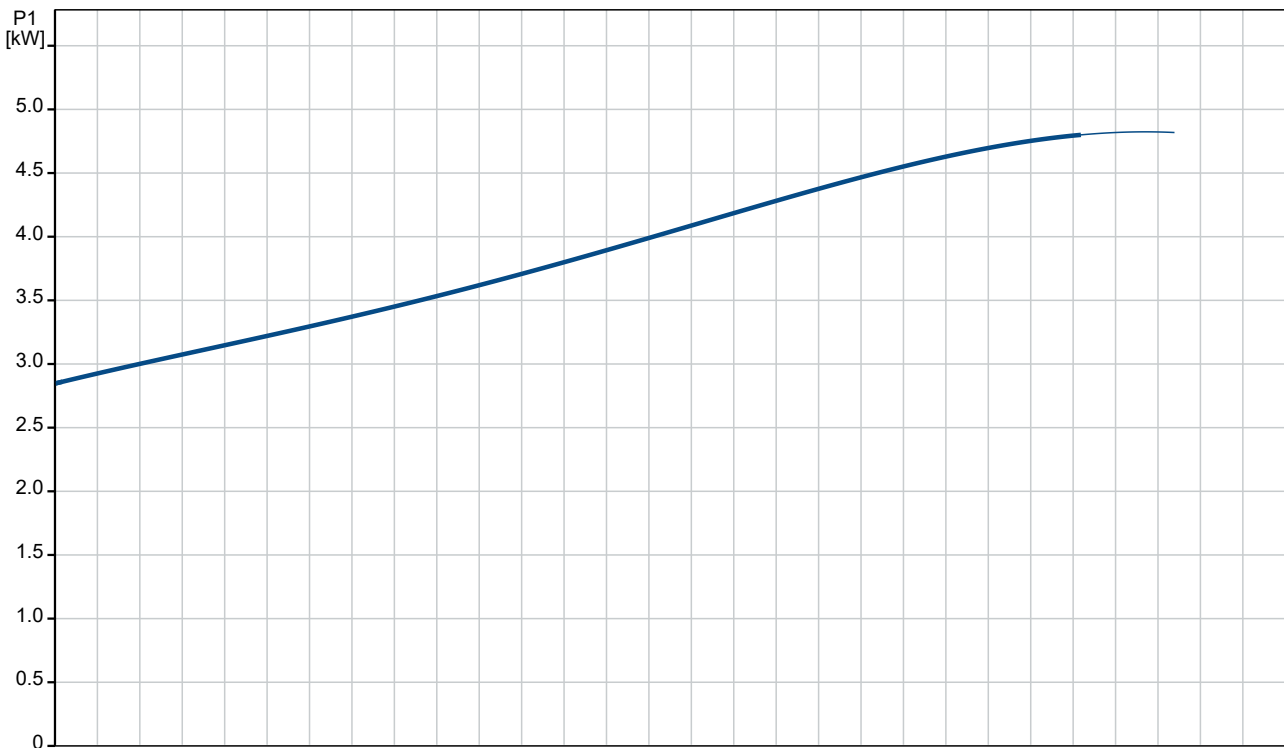
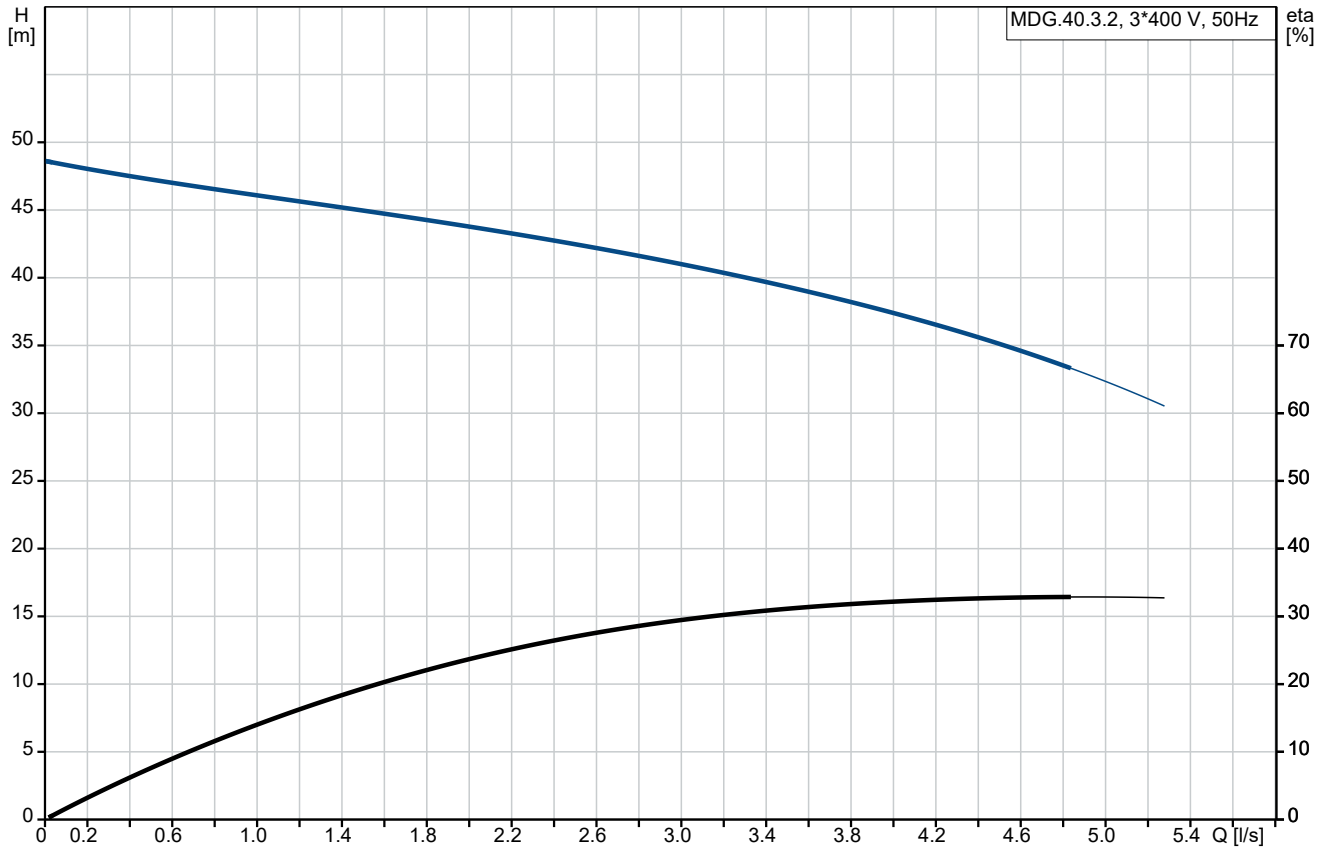
Company name:
Created by:
Phone:

Date: 29/11/2023

Project:
Reference Number:

Client:
Client Number:
Contact:

On request MDG.40.3.2 50 Hz



Project:

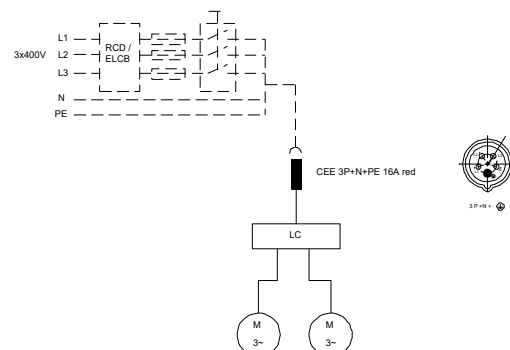
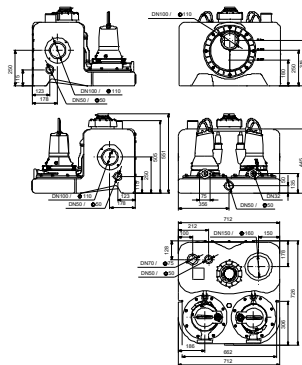
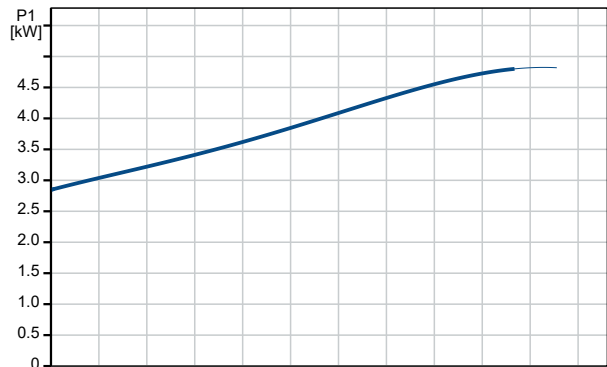
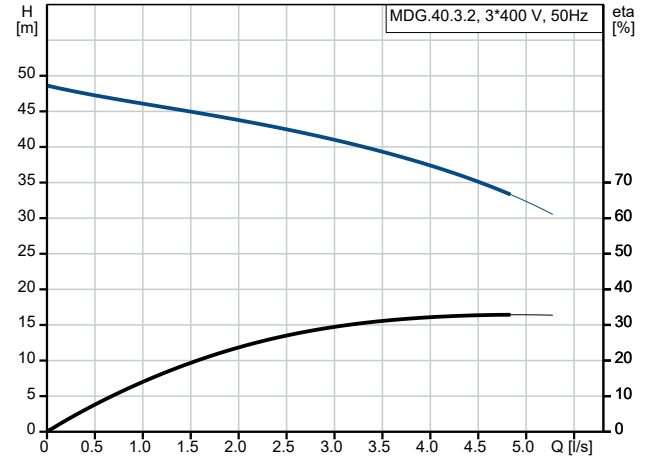
Reference Number:

Client:

Client Number:

Contact:

Description	Value
General information:	
Product name:	MDG.40.3.2
Product No:	On request
EAN number:	On request
Technical:	
Pump speed on which pump data are based:	2830 rpm
Rated flow:	0.889 l/s
Maximum flow:	4.67 l/s
Rated head:	43.7 m
Maximum head:	45.7 m
Type of impeller:	GRINDER SYSTEM
Max. Particle:	50 mm
Approvals:	CE,EAC,MORO,UKCA,SE PRO
Materials:	
Pump housing:	EN 1561 EN-GJL-200
Pump housing:	ASTM A48-30B
Tank:	PLASTIC
Tank:	LDPE
Gasket:	SIC/SIC
Installation:	
Range of ambient temperature:	0 .. 40 °C
Type of outlet connection:	Oval
Size of outlet connection:	DN 32
Pressure rating for connection:	PN 6
Liquid:	
Liquid temperature range:	0 .. 40 °C
Density:	998.2 kg/m ³
Electrical data:	
Power input P1:	5.2 kW
Rated power - P2:	4 kW
Mains frequency:	50 Hz
Rated voltage:	3 x 400 V
Voltage tolerance:	+10/-10 %
Max starts per hour:	60
Rated current:	2 X 8,0 A
Cos phi - power factor:	0.92
Motor efficiency at full load:	82 %
Number of poles:	2
Start. method:	direct-on-line
Enclosure class (IEC 34-5):	IP68
Insulation class (IEC 85):	F
Built-in motor protection:	THERMAL SWITCH
Length of cable:	1.5 m
Motor cable:	10 m
Cable type:	H07RN-F
Power plug:	CEE 3P+N+PE
Mains cable:	H05 VV-F
Controls:	
Type of control box:	LC231
Operation mode:	S3-30%,1MIN
Tank:	
Total volume of tank(s):	93 l





Company name:

Created by:

Phone:

Date: 29/11/2023

Project:

Reference Number:

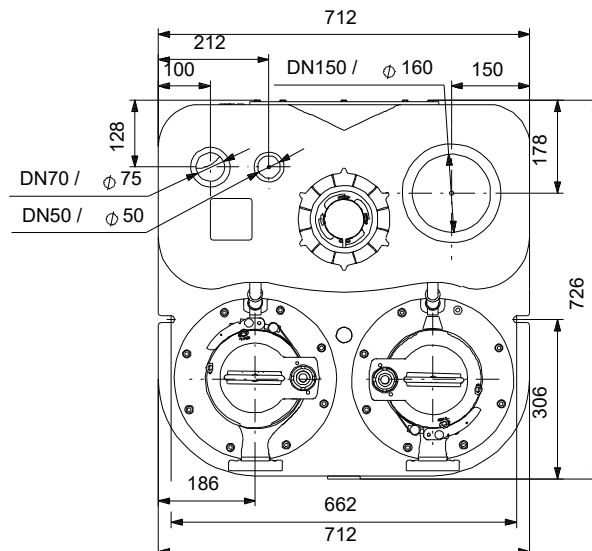
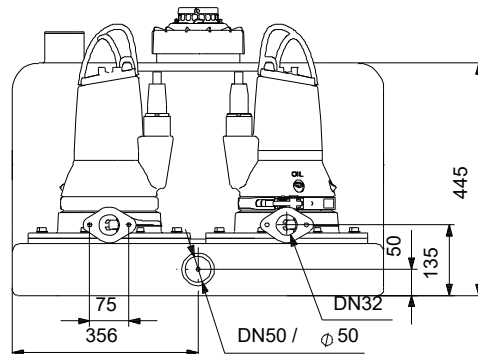
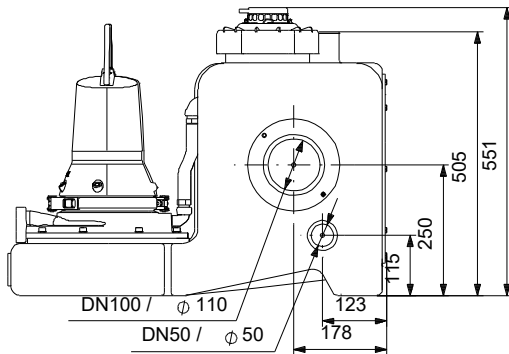
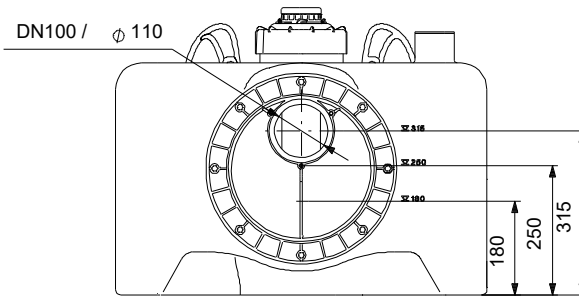
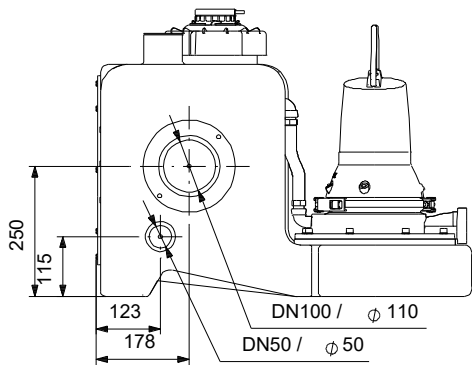
Client:

Client Number:

Contact:

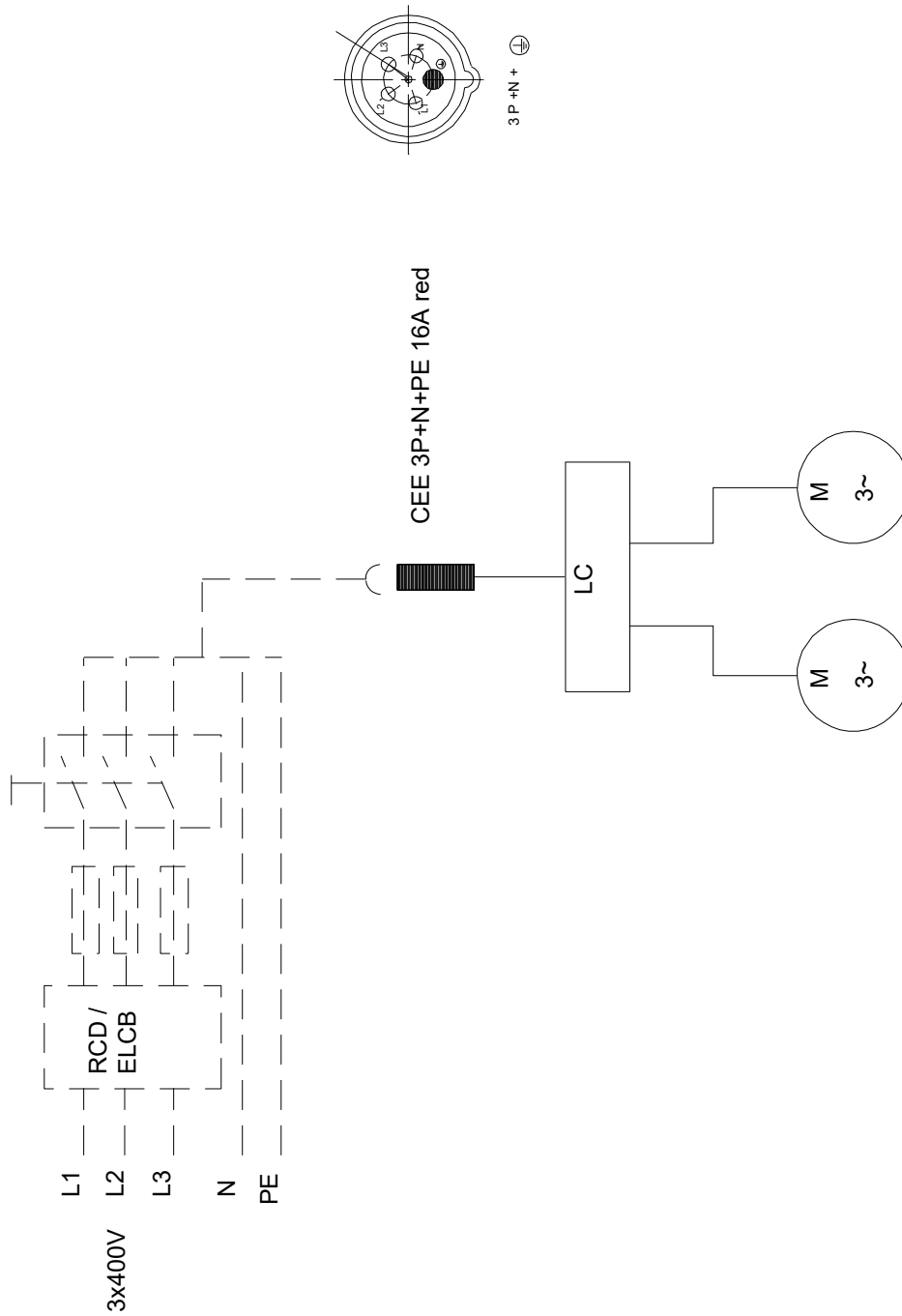
Description	Value
Total effective volume of collecting tank at 180 mm inlet:	23 l
Total effective volume of collecting tank at 250 mm inlet:	37 l
Total effective volume of collecting tank at 315 mm inlet:	50 l
Others:	
Net weight:	167 kg
Gross weight:	190 kg
Danish VVS No.:	154035240
Swedish RSK No.:	5886090
Finnish LVI No.:	4965378
Norwegian NRF no.:	9045316
Country of origin:	DE
Custom tariff no.:	84137021
Environmental approvals:	WEEE

On request MDG.40.3.2 50 Hz



Note! All units are in [mm] unless others are stated.
Disclaimer: This simplified dimensional drawing does not show all details.

On request MDG.40.3.2 50 Hz



Note! All units are in [mm] unless others are stated.

