

# Submittal Data

PROJECT:	UNIT TAG:	QUANTITY:
REPRESENTATIVE: _____	TYPE OF SERVICE:	DATE: _____
ENGINEER:	SUBMITTED BY:	DATE:
CONTRACTOR:	APPROVED BY:	DATE:
	ORDER NO.:	DATE:

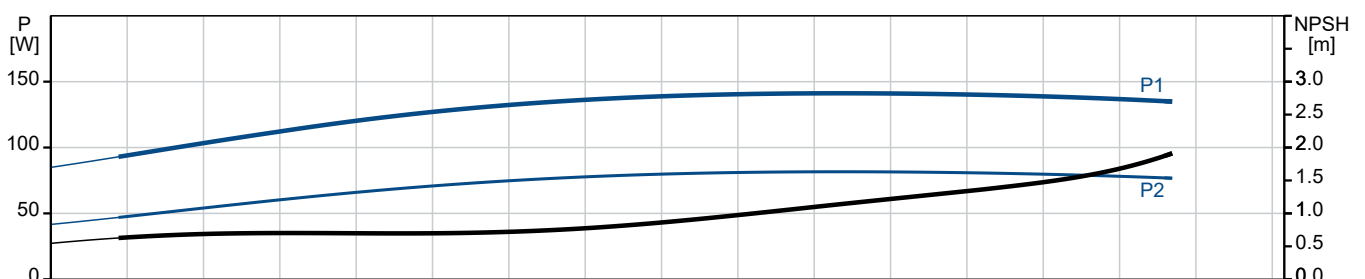
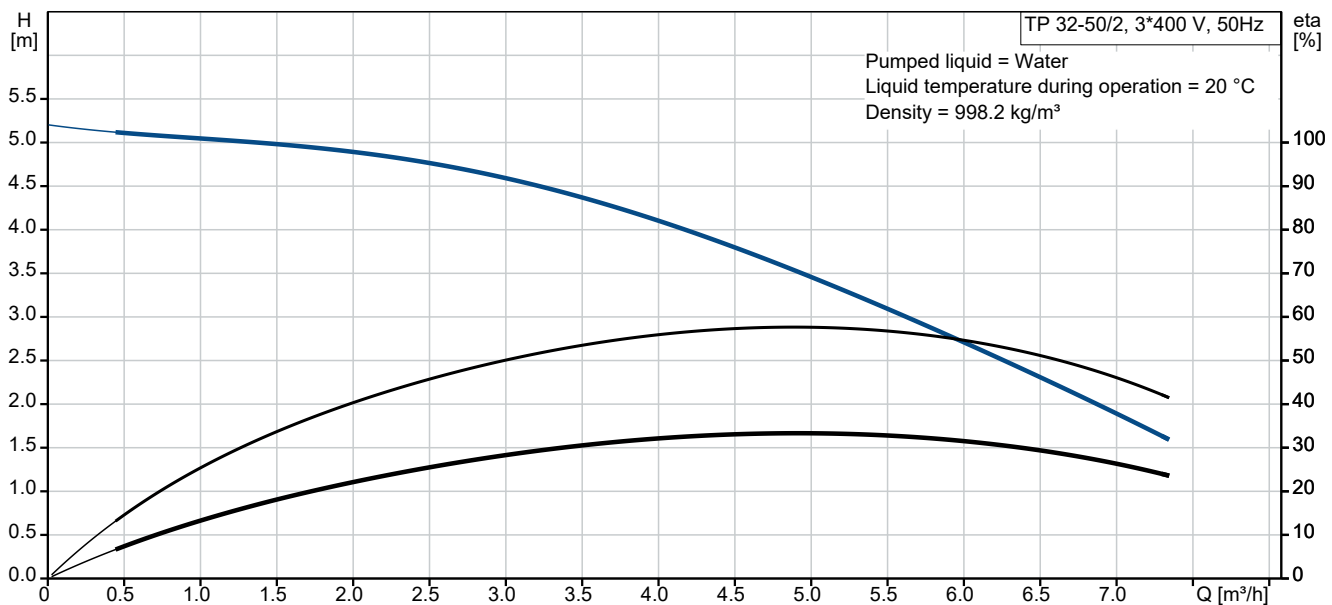


## TP 32-50/2 A-O-A-BQQE-AW1

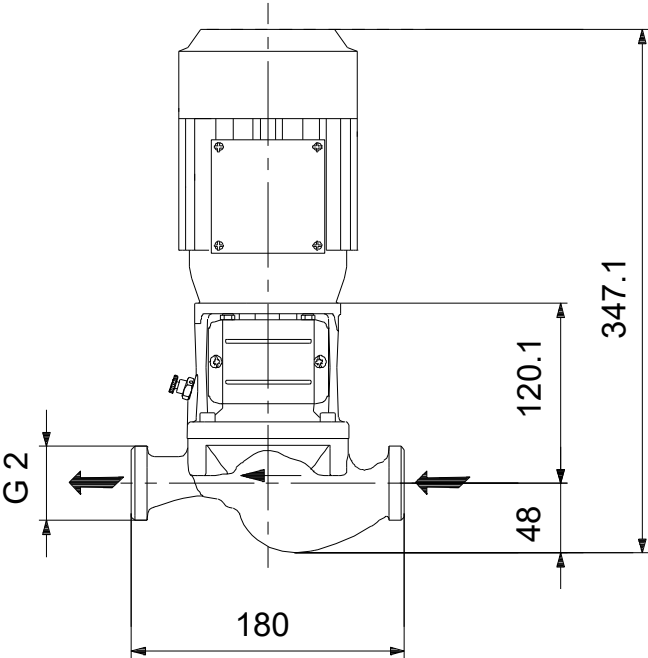
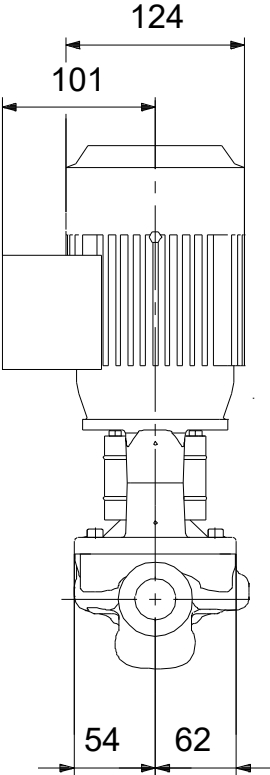
Grundfos TP pumps are single-stage, close-coupled in-line centrifugal pumps with mechanical shaft seal and primely for applications such as heating/cooling/district energy. The pumps are fitted with fixed speed motors.

Note! Product picture may differ from actual product

Conditions of Service	Pump Data	Motor Data
	Max pressure at stated temp: 10 bar / 120 °C Liquid temperature range: -25 .. 120 °C Maximum ambient temperature: 40 °C Shaft seal: BQQE Product number: On request	Rated voltage: 220-240D/380-415Y V Mains frequency: 50 Hz Enclosure class: IP55 Insulation class: F Motor protection: NONE Motor type: SIEMENS Eta 1/1: 60.8-60.8 %



# Submittal Data



**Materials:**  
Pump housing: Cast iron  
Pump housing: ASTM class 25  
Impeller: Composite  
Material code: A

**Qty. Description**

1 TP 32-50/2 A-O-A-BQQE-AW1



**Note! Product picture may differ from actual product**

Product No.: On request

Single-stage, close-coupled, volute pump with in-line suction and discharge ports of identical diameter. The pump is of the top-pull-out design, i.e. the power head (motor, pump head and impeller) can be removed for maintenance or service while the pump housing remains in the pipework.

The pump is fitted with an unbalanced rubber bellows seal. The shaft seal is according to EN 12756. The pump is fitted with a fan-cooled asynchronous motor.

Cast-iron parts have an epoxy-based coating made in a cathodic electro-deposition (CED) process. CED is a high-quality dip-painting process where an electrical field around the products ensures deposition of paint particles as a thin, well-controlled layer on the surface.

## Pump

The pump housing is provided with a replaceable stainless steel/PTFE neck ring to reduce the amount of liquid running from the discharge side of the impeller to the suction side.

The impeller is secured with a split cone pressed onto the shaft.

The pump is fitted with an unbalanced rubber bellows seal with torque transmission across the spring and around the bellows. Due to the bellows, the seal does not wear the shaft, and the axial movement is not prevented by deposits on the shaft.

Seal faces:

- Rotating seal ring material: silicon carbide (SiC)
- Stationary seat material: silicon carbide (SiC)

This material pairing is used where higher corrosion resistance is required. The high hardness of this material pairing offers good resistance against abrasive particles.

Secondary seal material: EPDM (ethylene-propylene rubber)

EPDM has excellent resistance to hot water. EPDM is not suitable for mineral oils.

A circulation of liquid through the duct of the air vent screw ensures lubrication and cooling of the shaft seal.

The motor stool forms connection between the pump housing and the motor, and is equipped with a manual air vent screw for venting of the pump housing and the shaft seal chamber. The sealing between motor stool and pump housing is an O-ring or a flat gasket.

The central part of the motor stool is provided with guards for protection against the shaft and coupling. Motor and pump shaft are connected via a shell coupling.

## Motor

The motor is a totally enclosed, fan-cooled motor with principal dimensions to IEC and DIN standards. Electrical tolerances comply with IEC 60034.

The motor is flange-mounted with tapped-hole flange (FT).

Motor-mounting designation in accordance with IEC 60034-7: IM B 14, IM V 18 (Code I) / IM 3601, IM 3611 (Code II).

The motor efficiency is classified as IE3 in accordance with IEC 60034-30-1.

The motor does not incorporate motor protection and must be connected to a motor-protective circuit breaker which can be manually reset. The motor-protective circuit breaker must be set according to the rated current of the motor (I1/1).

## Further product details

Cast-iron parts have an epoxy-based coating made in a cathodic electro-deposition (CED) process. CED is a high-quality dip-painting process where an electrical field around the products ensures deposition of paint particles as a thin, well-controlled layer on the surface.

**Qty. Description**

**1 Technical data**

Controls:

Frequency converter: None

Liquid:

Liquid temperature range: -25 .. 120 °C

Technical:

Pump speed on which pump data are based: 2800 rpm

Rated flow: 4.91 m<sup>3</sup>/h

Rated head: 3.29 m

Actual impeller diameter: 68 mm

Code for shaft seal: BQQE

Curve tolerance: ISO9906:2012 3B2

Materials:

Pump housing: Cast iron  
EN-GJL-150  
ASTM class 25

Impeller: Composite  
PES+30% GF

Installation:

Range of ambient temperature: -30 .. 40 °C

Maximum operating pressure: 10 bar

Max pressure at stated temp: 10 bar / 120 °C

Type of connection: G

Size of connection: DN 32

Pressure rating for connection: PN 10

Port-to-port length: 180 mm

Flange size for motor: FT75

Electrical data:

Motor type: SIEMENS

Rated power - P2: 0.12 kW

Mains frequency: 50 Hz

Rated voltage: 3 x 220-240D/380-415Y V

Rated current: 0,64-0,66/0,37-0,38 A

Starting current: 450-450 %

Cos phi - power factor: 0.78

Rated speed: 2830 rpm

IE efficiency: IE3 60,8%

IE Efficiency class: IE3

Motor efficiency at full load: 60.8-60.8 %

Motor efficiency at 3/4 load: 59.4-59.4 %

Motor efficiency at 1/2 load: 53.7-53.7 %

Number of poles: 2

Enclosure class (IEC 34-5): IP55

Insulation class (IEC 85): F

Motor No: 81602312

Others:

Net weight: 8 kg

Gross weight: 9 kg

Shipping volume: 0.026 m<sup>3</sup>

Danish VVS No.: 381811050

Finnish LVI No.: 4616004



Company name:

Created by:

Phone:

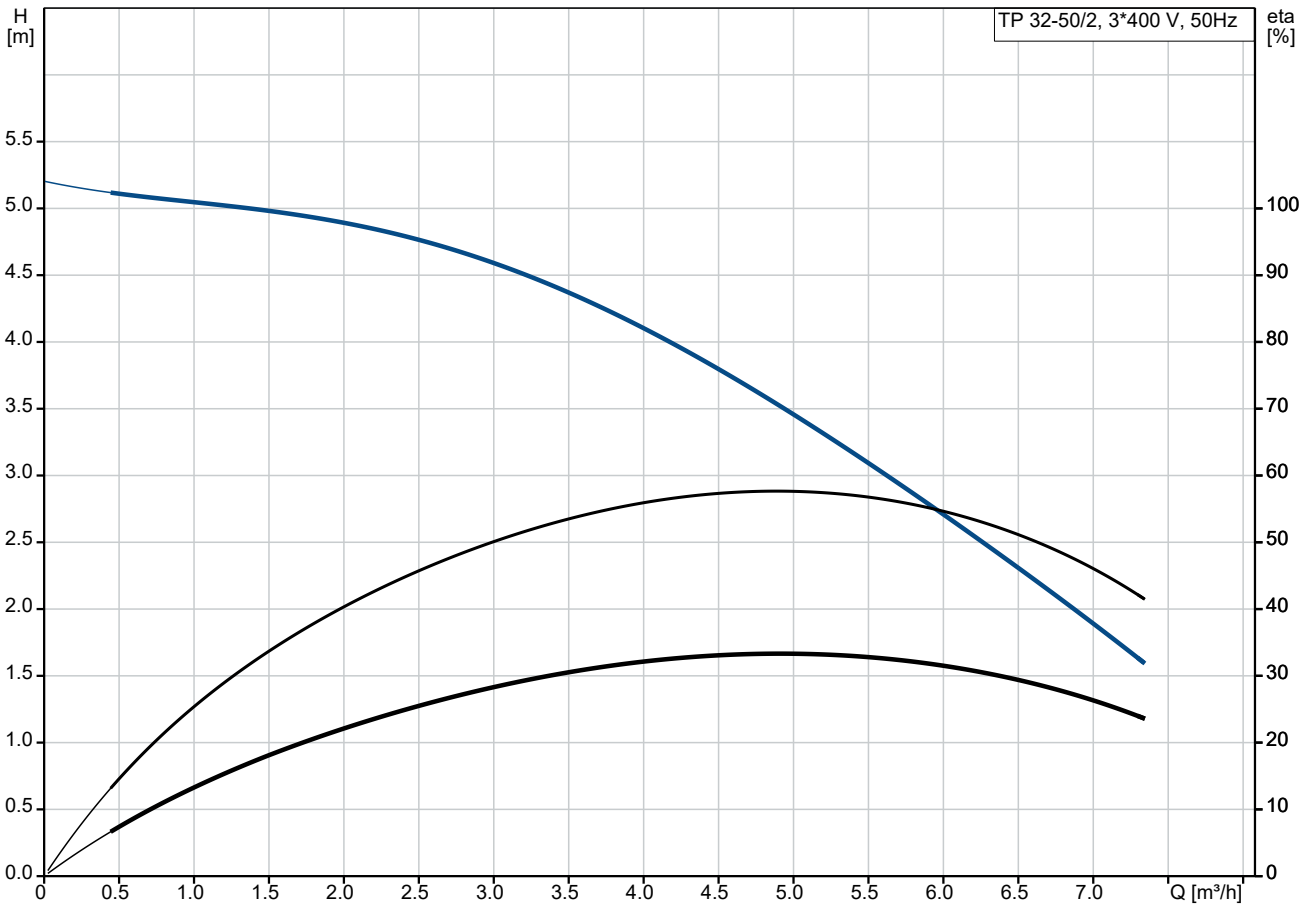
Date:

29/11/2023

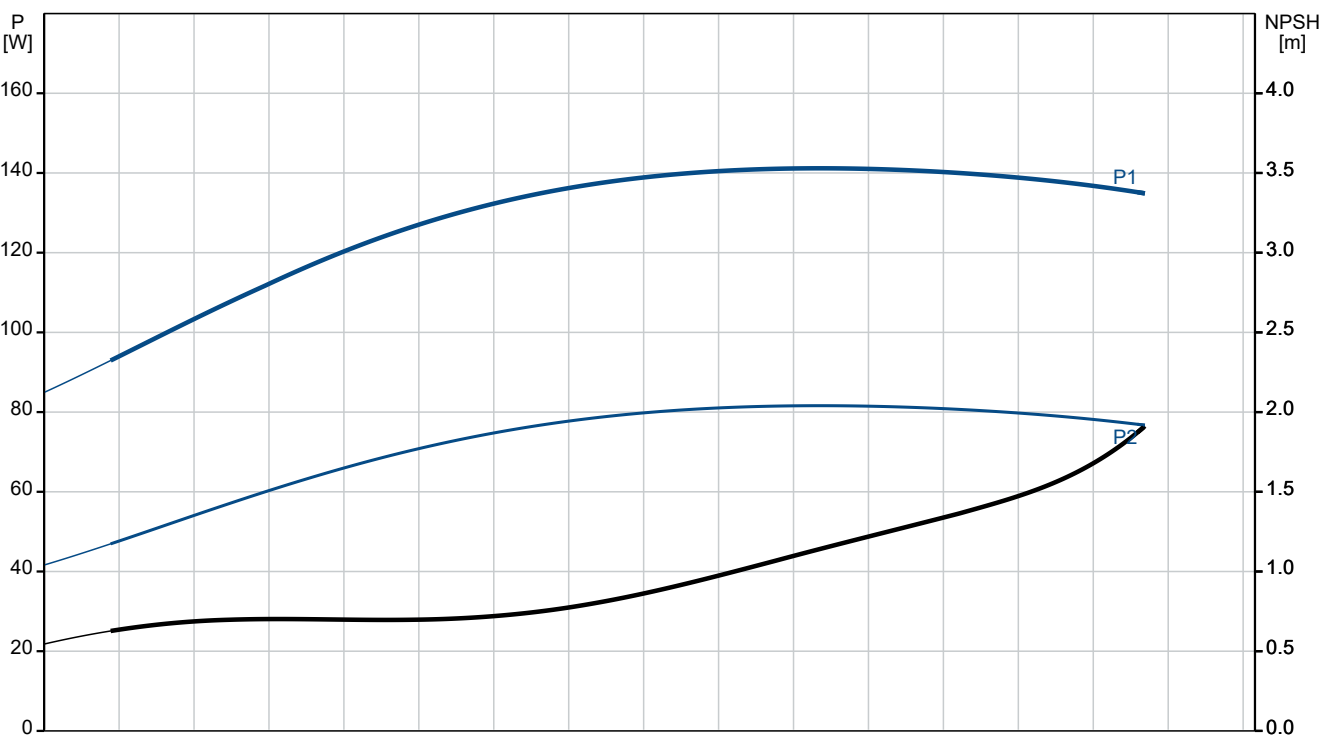
Qty.	Description
------	-------------

1	Norwegian NRF no.: 9043523 Country of origin: HU Custom tariff no.: 84137051
---	--

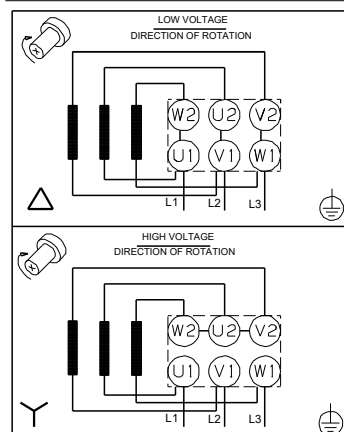
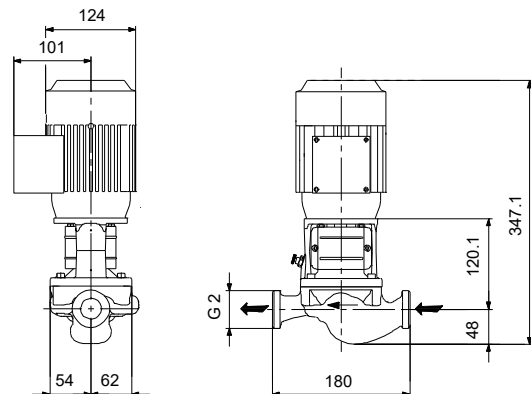
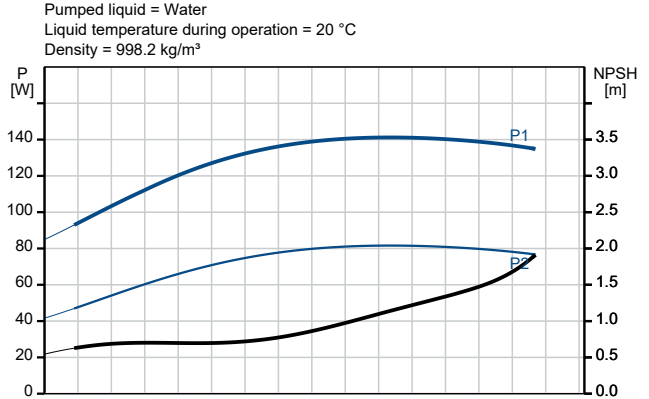
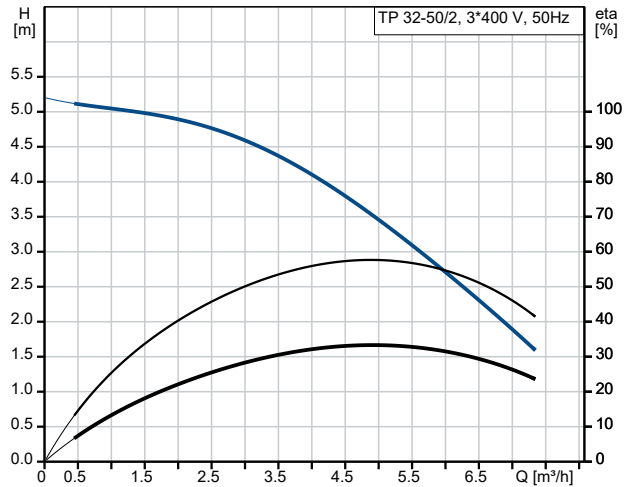
## On request TP 32-50/2 A-O-A-BQQE-AW1 50 Hz



Pumped liquid = Water  
 Liquid temperature during operation = 20 °C  
 Density = 998.2 kg/m³



Description	Value
<b>General information:</b>	
Product name:	TP 32-50/2 A-O-A-BQQE-AW1
Product No:	On request
EAN number:	On request
<b>Technical:</b>	
Pump speed on which pump data are based:	2800 rpm
Rated flow:	4.91 m <sup>3</sup> /h
Rated head:	3.29 m
Maximum head:	50 dm
Actual impeller diameter:	68 mm
Code for shaft seal:	BQQE
Curve tolerance:	ISO9906:2012 3B2
Pump version:	A
<b>Materials:</b>	
Pump housing:	Cast iron
Pump housing:	EN-GJL-150
Pump housing:	ASTM class 25
Impeller:	Composite
Impeller:	PES+30% GF
Material code:	A
<b>Installation:</b>	
Range of ambient temperature:	-30 .. 40 °C
Maximum operating pressure:	10 bar
Max pressure at stated temp:	10 bar / 120 °C
Type of connection:	G
Size of connection:	DN 32
Pressure rating for connection:	PN 10
Port-to-port length:	180 mm
Flange size for motor:	FT75
Connect code:	O
<b>Liquid:</b>	
Liquid temperature range:	-25 .. 120 °C
<b>Electrical data:</b>	
Motor type:	SIEMENS
Rated power - P2:	0.12 kW
Mains frequency:	50 Hz
Rated voltage:	3 x 220-240D/380-415Y V
Rated current:	0,64-0,66/0,37-0,38 A
Starting current:	450-450 %
Cos phi - power factor:	0.78
Rated speed:	2830 rpm
IE efficiency:	IE3 60,8%
IE Efficiency class:	IE3
Motor efficiency at full load:	60.8-60.8 %
Motor efficiency at 3/4 load:	59.4-59.4 %
Motor efficiency at 1/2 load:	53.7-53.7 %
Number of poles:	2
Enclosure class (IEC 34-5):	IP55
Insulation class (IEC 85):	F
Built-in motor protection:	NONE
Motor No:	81602312
<b>Controls:</b>	
Frequency converter:	None
<b>Others:</b>	
Net weight:	8 kg
Gross weight:	9 kg





Company name:

Created by:

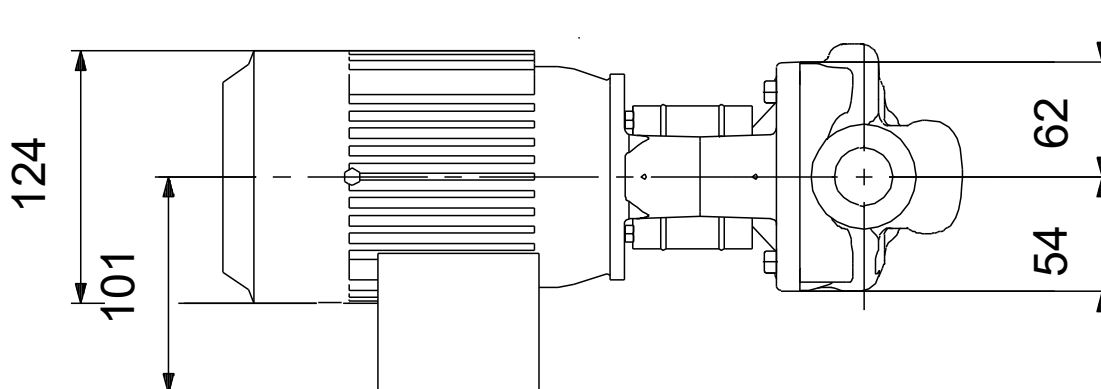
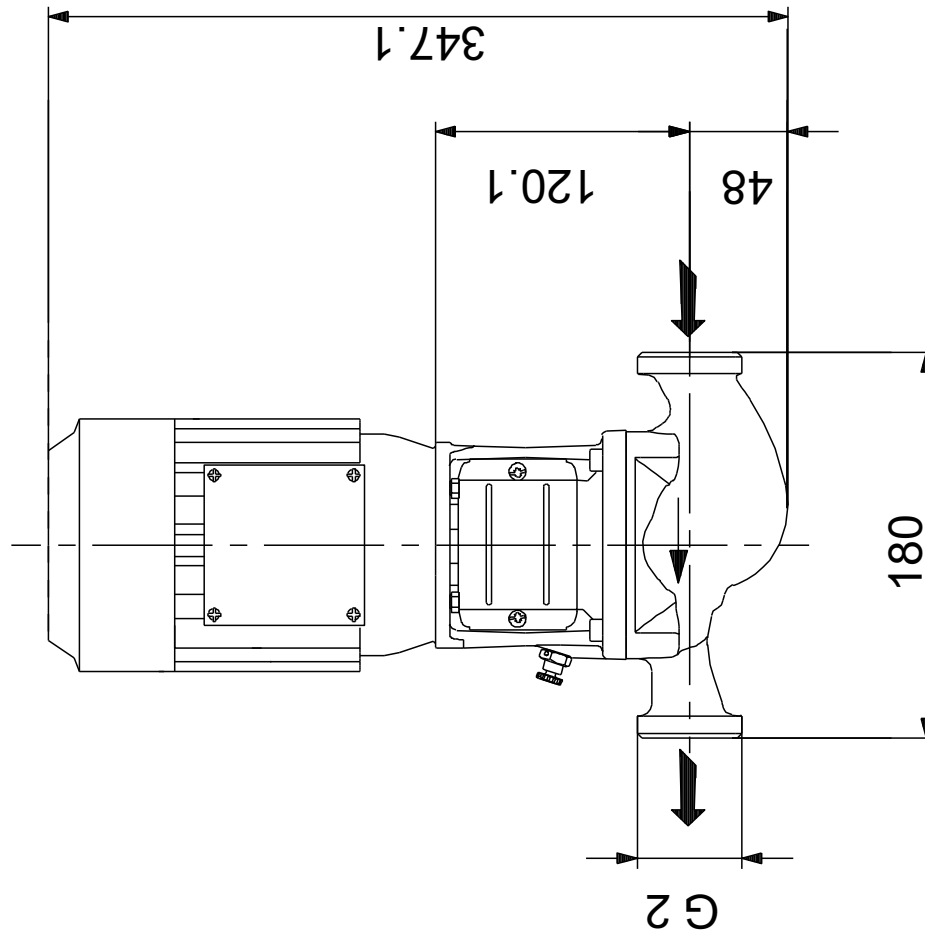
Phone:

Date:

29/11/2023

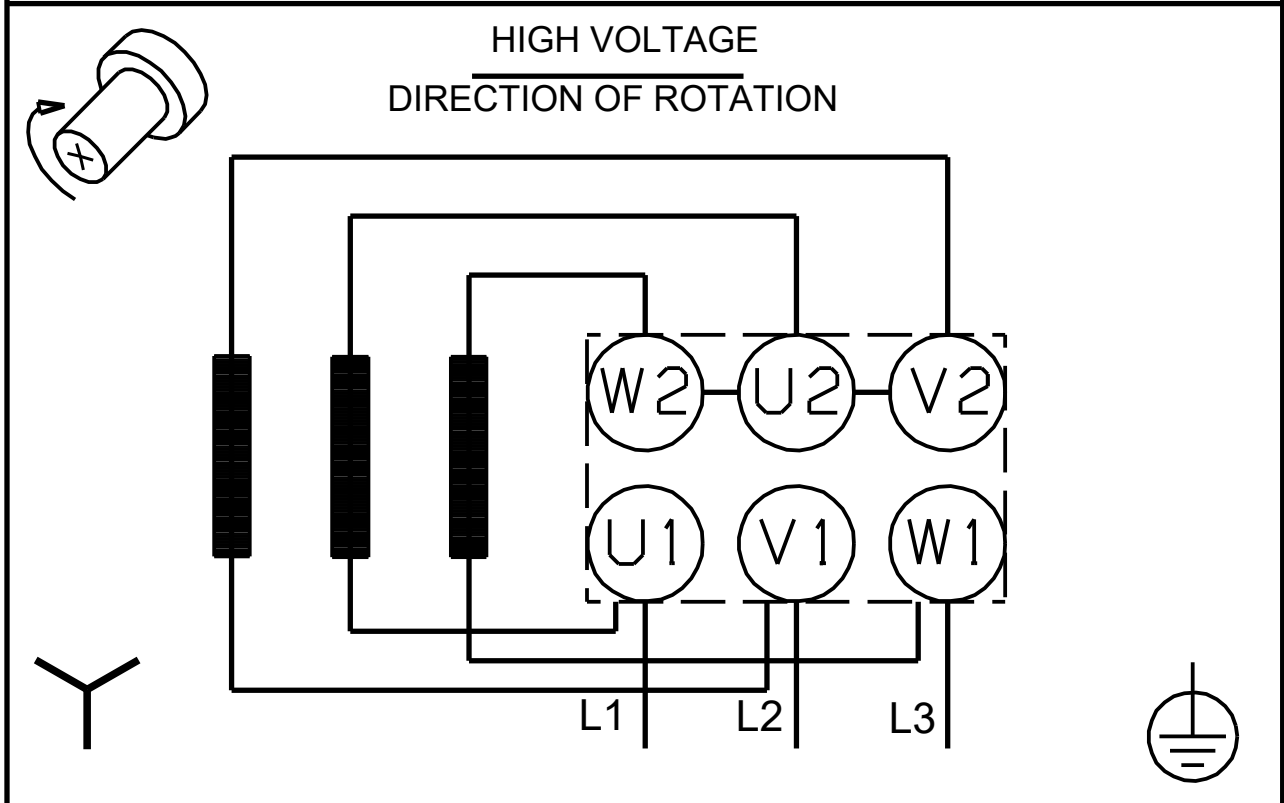
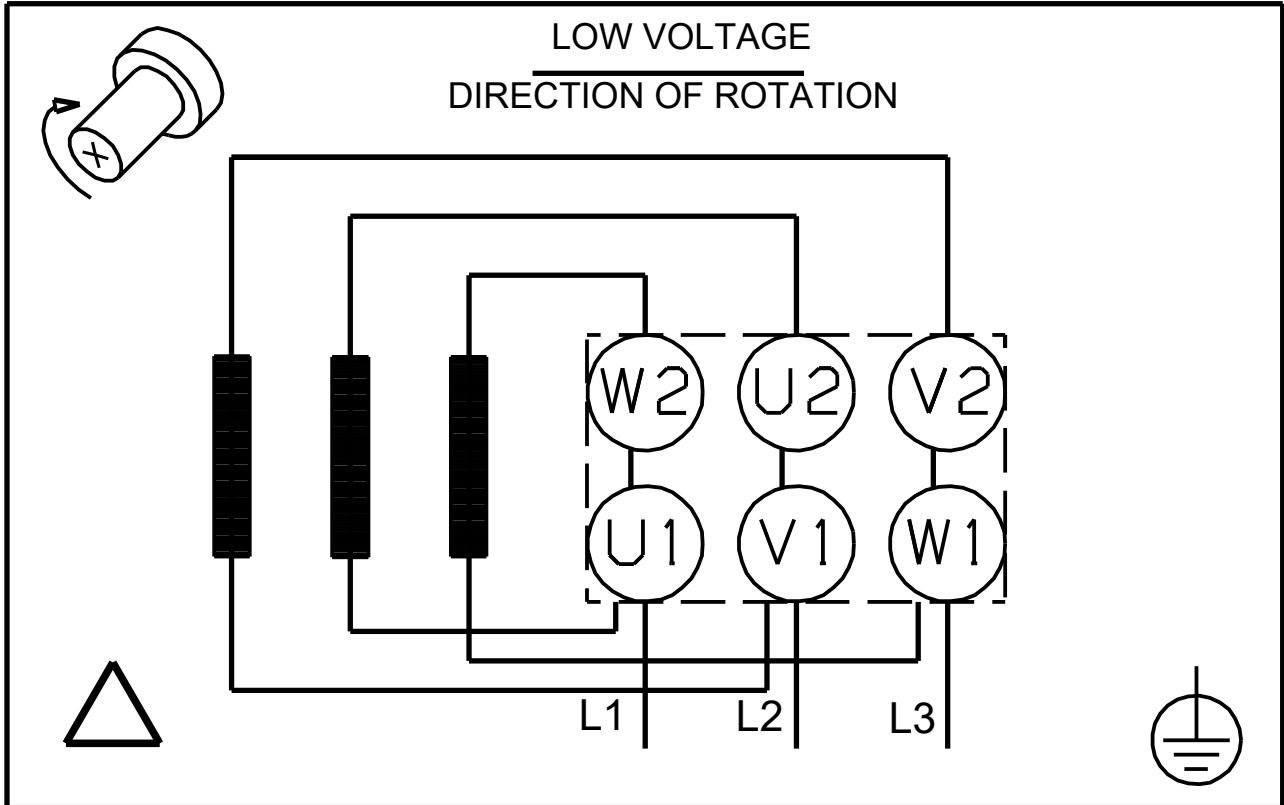
Description	Value
Shipping volume:	0.026 m <sup>3</sup>
Danish VVS No.:	381811050
Finnish LVI No.:	4616004
Norwegian NRF no.:	9043523
Country of origin:	HU
Custom tariff no.:	84137051

## On request TP 32-50/2 A-O-A-BQQE-AW1 50 Hz



Note! All units are in [mm] unless others are stated.  
Disclaimer: This simplified dimensional drawing does not show all details.

**On request TP 32-50/2 A-O-A-BQQE-AW1 50 Hz**



Note! All units are in [mm] unless others are stated.

