

# Submittal Data

PROJECT:	UNIT TAG:	QUANTITY:
REPRESENTATIVE: _____	TYPE OF SERVICE:	DATE: _____
ENGINEER:	SUBMITTED BY:	DATE:
CONTRACTOR:	APPROVED BY:	DATE:
	ORDER NO.:	DATE:

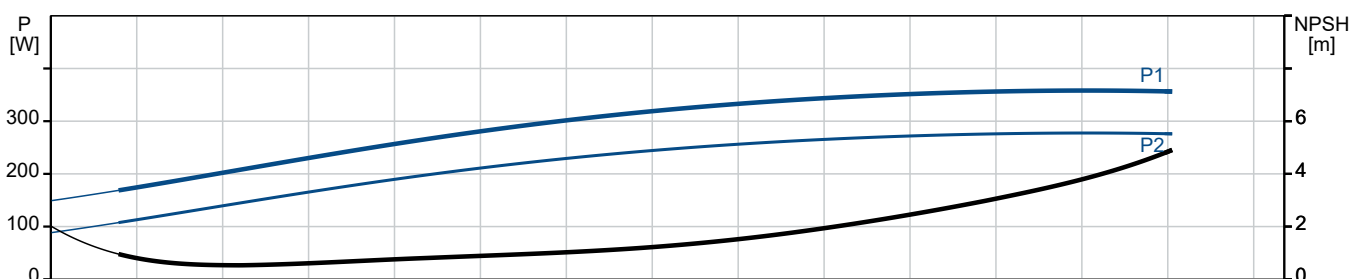
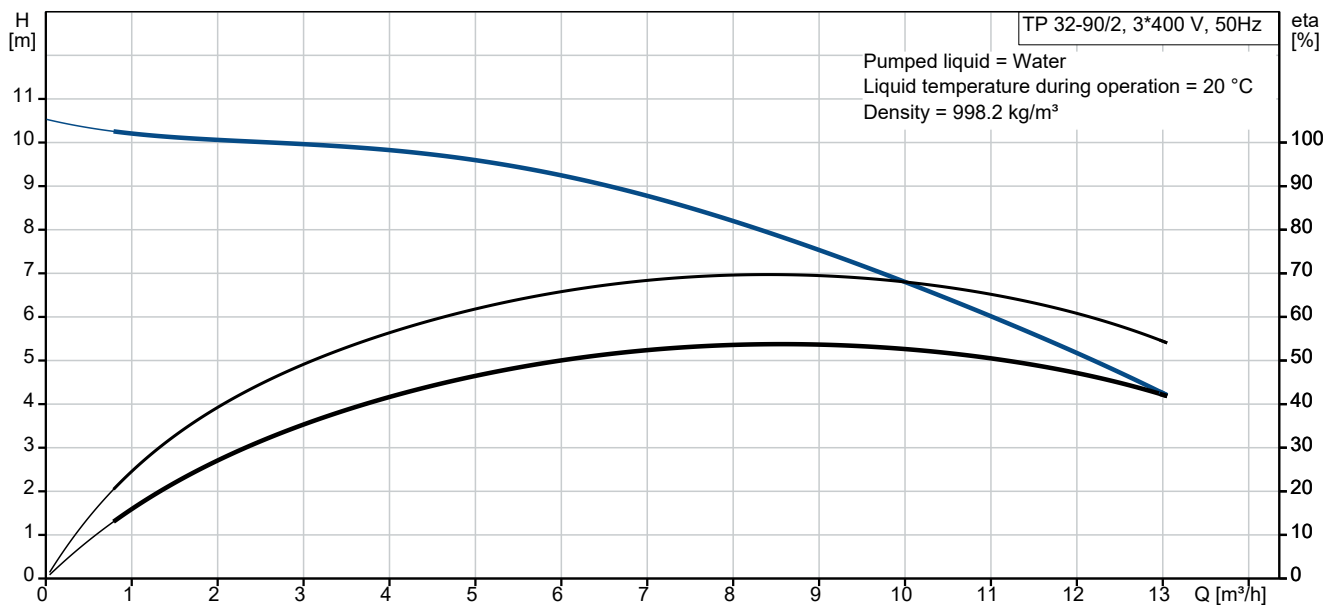


## TP 32-90/2 A-O-A-BQQE-DW1

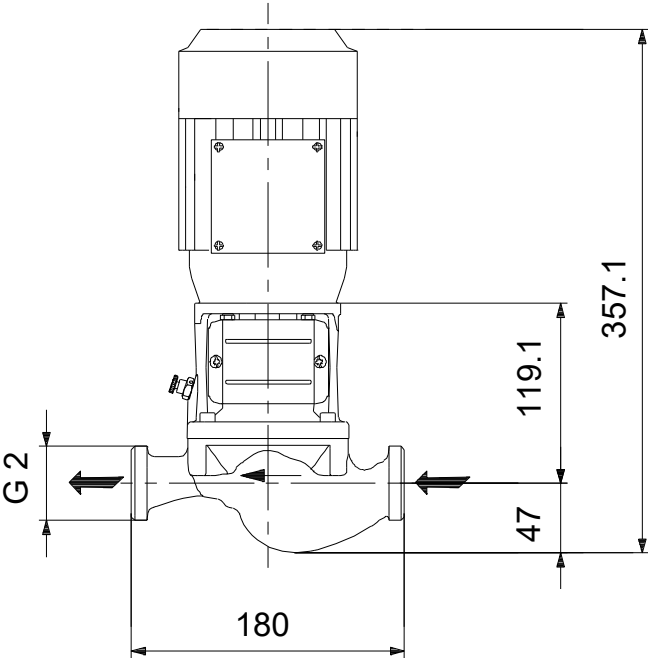
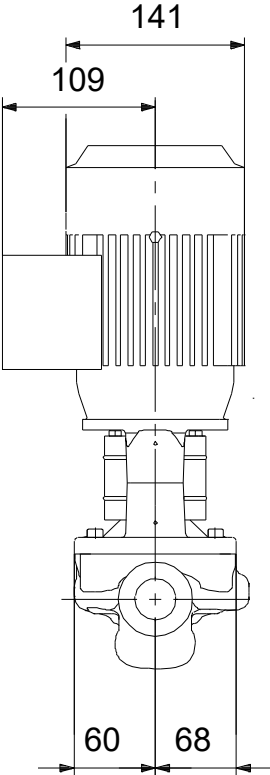
Grundfos TP pumps are single-stage, close-coupled in-line centrifugal pumps with mechanical shaft seal and primely for applications such as heating/cooling/district energy. The pumps are fitted with fixed speed motors.

Note! Product picture may differ from actual product

Conditions of Service	Pump Data	Motor Data
	Max pressure at stated temp: 10 bar / 120 °C Liquid temperature range: -25 .. 120 °C Maximum ambient temperature: 60 °C Shaft seal: BQQE Product number: On request	Rated voltage: 220-240D/380-415Y V Mains frequency: 50 Hz Enclosure class: 55 Dust/Jetting Insulation class: F Motor protection: NONE Motor type: 71A Eta 1/1: 73.8-73.8 %



# Submittal Data



**Materials:**  
Pump housing: Cast iron  
Pump housing: ASTM class 30  
Impeller: Composite  
Material code: A

Qty. Description

1 TP 32-90/2 A-O-A-BQQE-DW1



Note! Product picture may differ from actual product

Product No.: On request

Single-stage, close-coupled, volute pump with in-line suction and discharge ports of identical diameter. The pump is of the top-pull-out design, i.e. the power head (motor, pump head and impeller) can be removed for maintenance or service while the pump housing remains in the pipework.

The pump is fitted with an unbalanced rubber bellows seal. The shaft seal is according to EN 12756. The pump is fitted with a fan-cooled asynchronous motor.

The product's minimum efficiency index (MEI) is greater or equal to 0.70. This is by the Commission Regulation (EU) considered as an indicative benchmark for best-performing water pump available on the market as from 1 January 2013.

Cast-iron parts have an epoxy-based coating made in a cathodic electro-deposition (CED) process. CED is a high-quality dip-painting process where an electrical field around the products ensures deposition of paint particles as a thin, well-controlled layer on the surface.

## Pump

The pump housing is provided with a replaceable stainless steel/PTFE neck ring to reduce the amount of liquid running from the discharge side of the impeller to the suction side.

The impeller is secured with a split cone pressed onto the shaft.

The pump is fitted with an unbalanced rubber bellows seal with torque transmission across the spring and around the bellows. Due to the bellows, the seal does not wear the shaft, and the axial movement is not prevented by deposits on the shaft.

Seal faces:

- Rotating seal ring material: silicon carbide (SiC)
- Stationary seat material: silicon carbide (SiC)

This material pairing is used where higher corrosion resistance is required. The high hardness of this material pairing offers good resistance against abrasive particles.

Secondary seal material: EPDM (ethylene-propylene rubber)

EPDM has excellent resistance to hot water. EPDM is not suitable for mineral oils.

A circulation of liquid through the duct of the air vent screw ensures lubrication and cooling of the shaft seal.

The motor stool forms connection between the pump housing and the motor, and is equipped with a manual air vent screw for venting of the pump housing and the shaft seal chamber. The sealing between motor stool and pump housing is an O-ring or a flat gasket.

The central part of the motor stool is provided with guards for protection against the shaft and coupling. Motor and pump shaft are connected via a shell coupling.

## Motor

The motor is a totally enclosed, fan-cooled motor with principal dimensions to IEC and DIN standards. Electrical tolerances comply with IEC 60034.

The motor is flange-mounted with tapped-hole flange (FT).

Motor-mounting designation in accordance with IEC 60034-7: IM B 14, IM V 18 (Code I) / IM 3601, IM 3611 (Code II).

The motor efficiency is classified as IE3 in accordance with IEC 60034-30-1.

The motor does not incorporate motor protection and must be connected to a motor-protective circuit breaker which can be manually reset. The motor-protective circuit breaker must be set according to the rated current of the motor (I1/1).

## Further product details

Qty.	Description
1	<p>Cast-iron parts have an epoxy-based coating made in a cathodic electro-deposition (CED) process. CED is a high-quality dip-painting process where an electrical field around the products ensures deposition of paint particles as a thin, well-controlled layer on the surface.</p> <p><b>Technical data</b></p> <p>Controls:            Frequency converter:                   None</p> <p>Liquid:            Liquid temperature range:           -25 .. 120 °C</p> <p>Technical:            Pump speed on which pump data are based:   2865 rpm            Rated flow:                               8.78 m³/h            Rated head:                               7.35 m            Actual impeller diameter:           89 mm            Code for shaft seal:                   BQQE            Curve tolerance:                       ISO9906:2012 3B2</p> <p>Materials:            Pump housing:                           Cast iron              EN-GJL-200              ASTM class 30            Impeller:                                Composite              PES+30% GF</p> <p>Installation:            Range of ambient temperature:       -30 .. 60 °C            Maximum operating pressure:        10 bar            Max pressure at stated temp:        10 bar / 120 °C            Type of connection:                   G            Size of connection:                    DN 32            Pressure rating for connection:      PN 10            Port-to-port length:                  180 mm            Flange size for motor:                FT85</p> <p>Electrical data:            Motor type:                             71A            Rated power - P2:                     0.37 kW            Mains frequency:                     50 Hz            Rated voltage:                         3 x 220-240D/380-415Y V            Rated current:                         1.74/1.00 A            Starting current:                      490-530 %            Cos phi - power factor:             0.80-0.70            Rated speed:                          2850-2880 rpm            IE Efficiency class:                   IE3            Motor efficiency at full load:       73.8-73.8 %            Motor efficiency at 3/4 load:       79.0-76.5 %            Motor efficiency at 1/2 load:       75.5-71.5 %            Number of poles:                     2            Enclosure class (IEC 34-5):         55 Dust/Jetting            Insulation class (IEC 85):         F            Motor No:                              85805102</p> <p>Others:            Minimum efficiency index, MEI ≥:   0.70</p>



Company name:

Created by:

Phone:

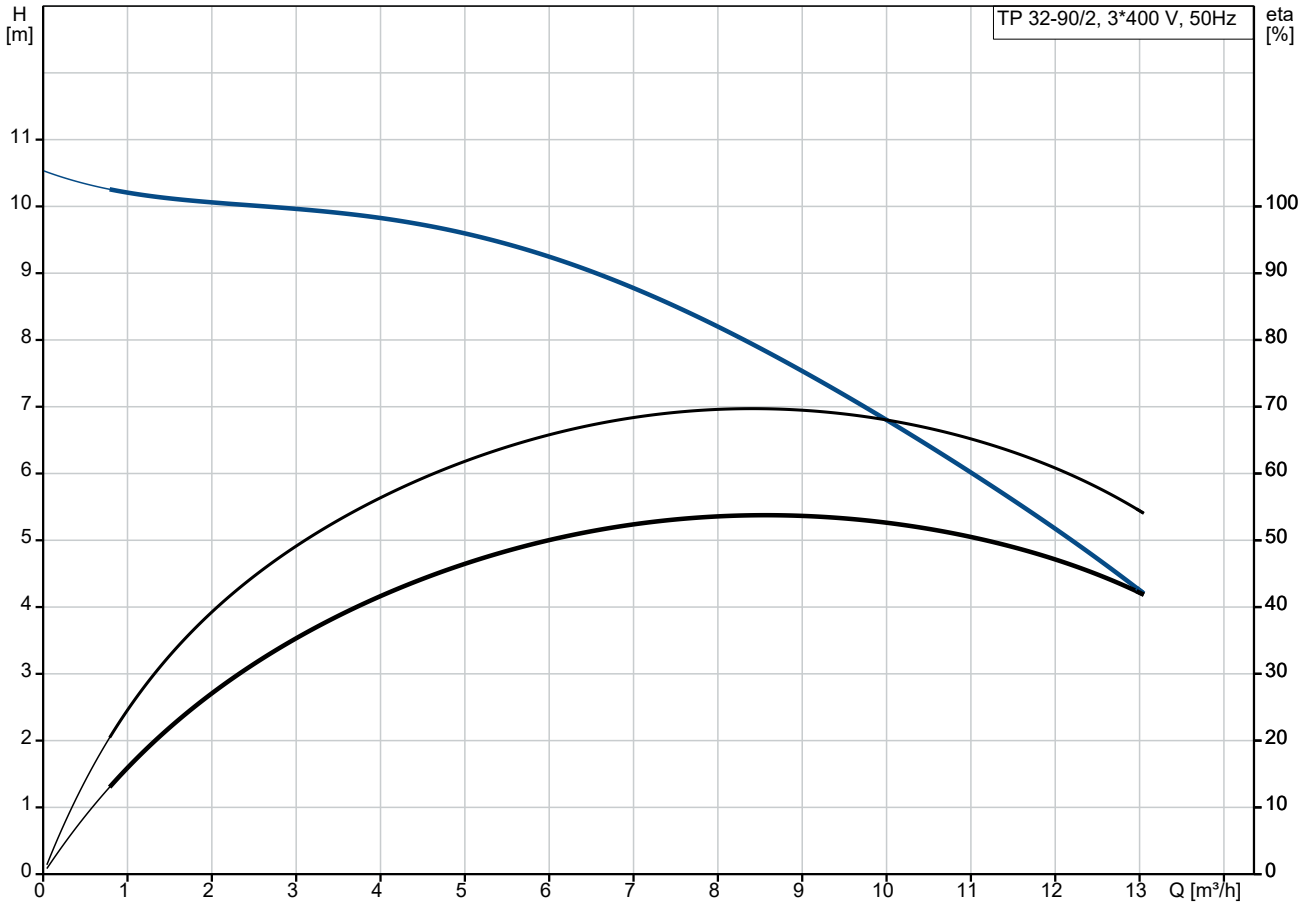
Date:

30/11/2023

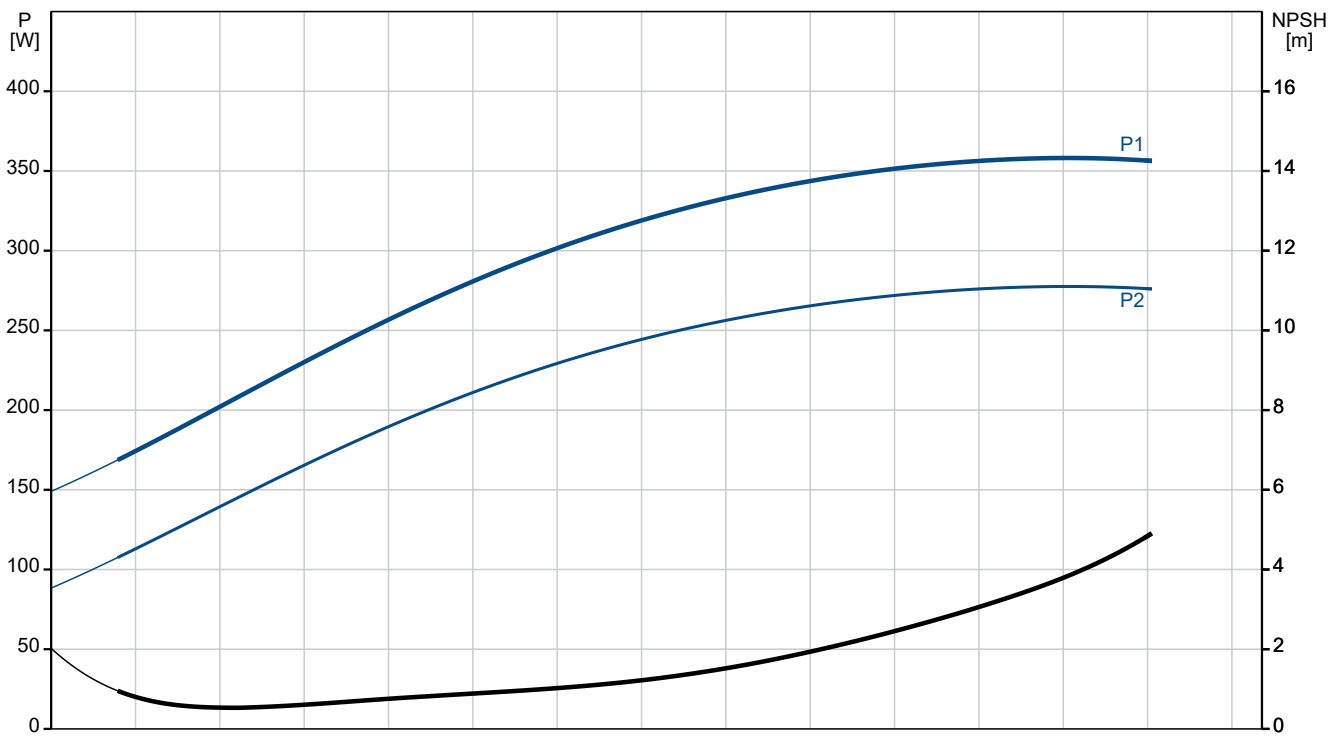
Qty.	Description
------	-------------

1	Net weight: 10.1 kg
	Gross weight: 11.1 kg
	Shipping volume: 0.026 m <sup>3</sup>
	Danish VVS No.: 381811090
	Finnish LVI No.: 4616006
	Norwegian NRF no.: 9043525
	Country of origin: HU
	Custom tariff no.: 84137051

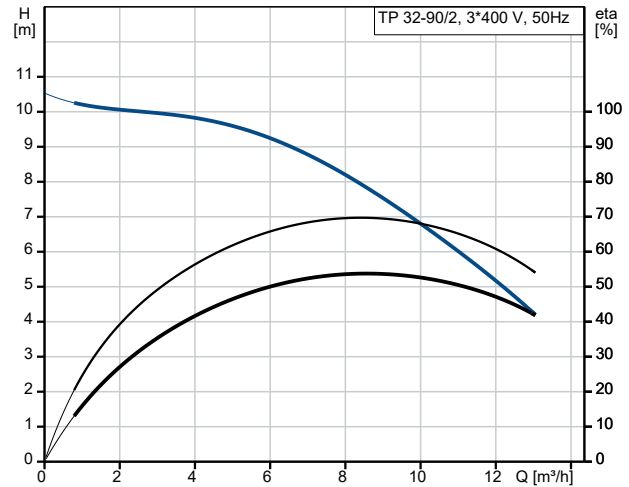
## On request TP 32-90/2 A-O-A-BQQE-DW1 50 Hz



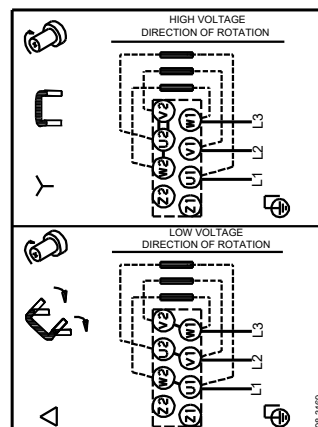
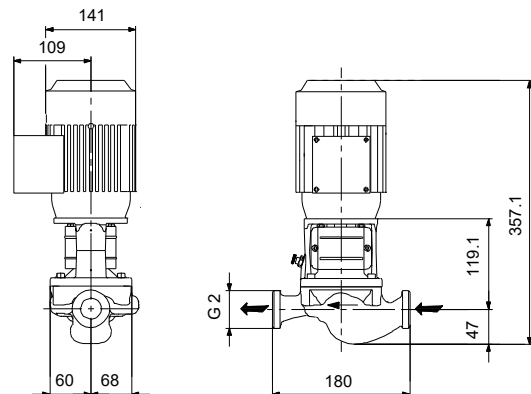
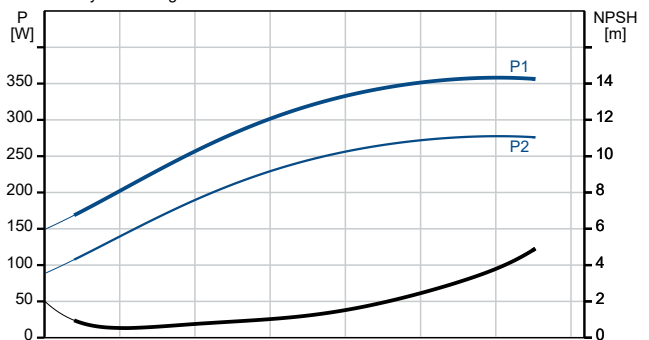
Pumped liquid = Water  
Liquid temperature during operation = 20 °C  
Density = 998.2 kg/m³



Description	Value
<b>General information:</b>	
Product name:	TP 32-90/2 A-O-A-BQQE-DW1
Product No:	On request
EAN number:	On request
<b>Technical:</b>	
Pump speed on which pump data are based:	2865 rpm
Rated flow:	8.78 m <sup>3</sup> /h
Rated head:	7.35 m
Maximum head:	90 dm
Actual impeller diameter:	89 mm
Code for shaft seal:	BQQE
Curve tolerance:	ISO9906:2012 3B2
Pump version:	A
<b>Materials:</b>	
Pump housing:	Cast iron
Pump housing:	EN-GJL-200
Pump housing:	ASTM class 30
Impeller:	Composite
Impeller:	PES+30% GF
Material code:	A
<b>Installation:</b>	
Range of ambient temperature:	-30 .. 60 °C
Maximum operating pressure:	10 bar
Max pressure at stated temp:	10 bar / 120 °C
Type of connection:	G
Size of connection:	DN 32
Pressure rating for connection:	PN 10
Port-to-port length:	180 mm
Flange size for motor:	FT85
Connect code:	O
<b>Liquid:</b>	
Liquid temperature range:	-25 .. 120 °C
<b>Electrical data:</b>	
Motor type:	71A
Rated power - P2:	0.37 kW
Mains frequency:	50 Hz
Rated voltage:	3 x 220-240D/380-415Y V
Rated current:	1.74/1.00 A
Starting current:	490-530 %
Cos phi - power factor:	0.80-0.70
Rated speed:	2850-2880 rpm
IE Efficiency class:	IE3
Motor efficiency at full load:	73.8-73.8 %
Motor efficiency at 3/4 load:	79.0-76.5 %
Motor efficiency at 1/2 load:	75.5-71.5 %
Number of poles:	2
Enclosure class (IEC 34-5):	55 Dust/Jetting
Insulation class (IEC 85):	F
Built-in motor protection:	NONE
Motor No:	85805102
<b>Controls:</b>	
Frequency converter:	None
<b>Others:</b>	
Minimum efficiency index, MEI ≥:	0.70
Net weight:	10.1 kg
Gross weight:	11.1 kg



Pumped liquid = Water  
Liquid temperature during operation = 20 °C  
Density = 998.2 kg/m<sup>3</sup>





Company name:

Created by:

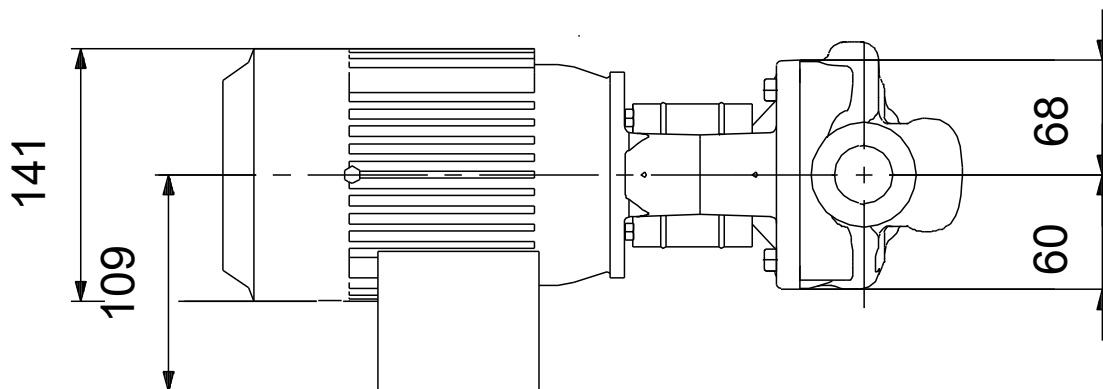
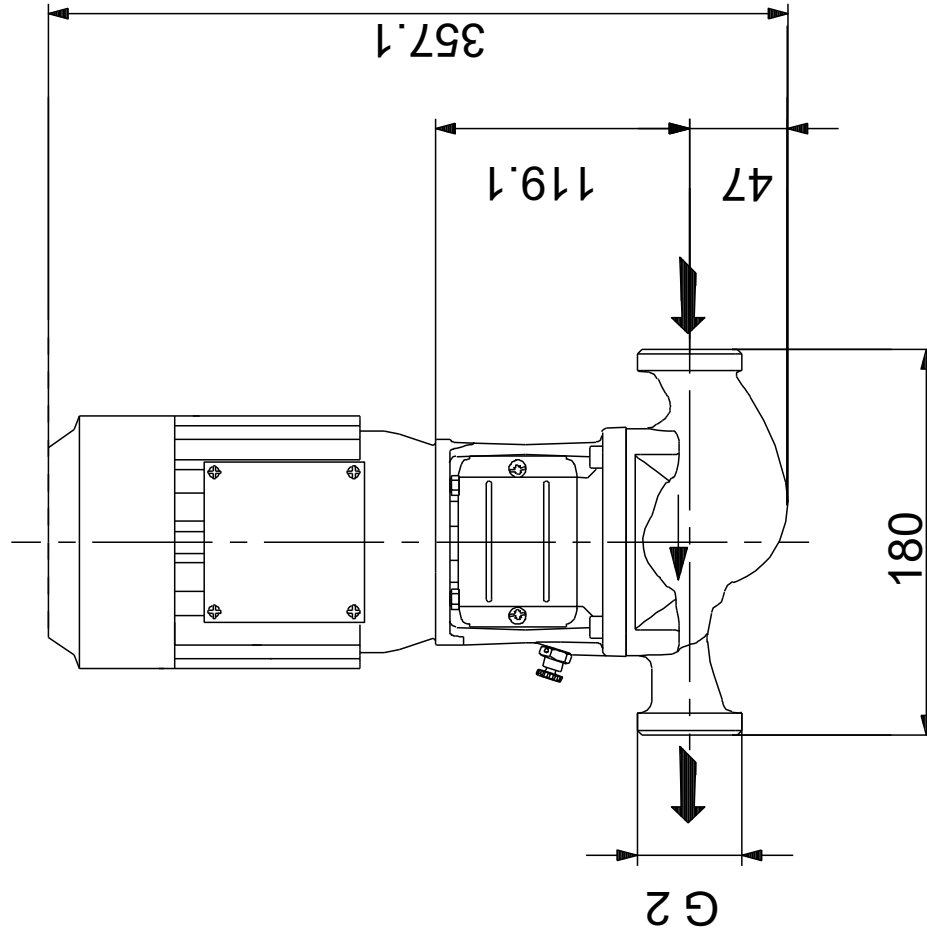
Phone:

Date:

30/11/2023

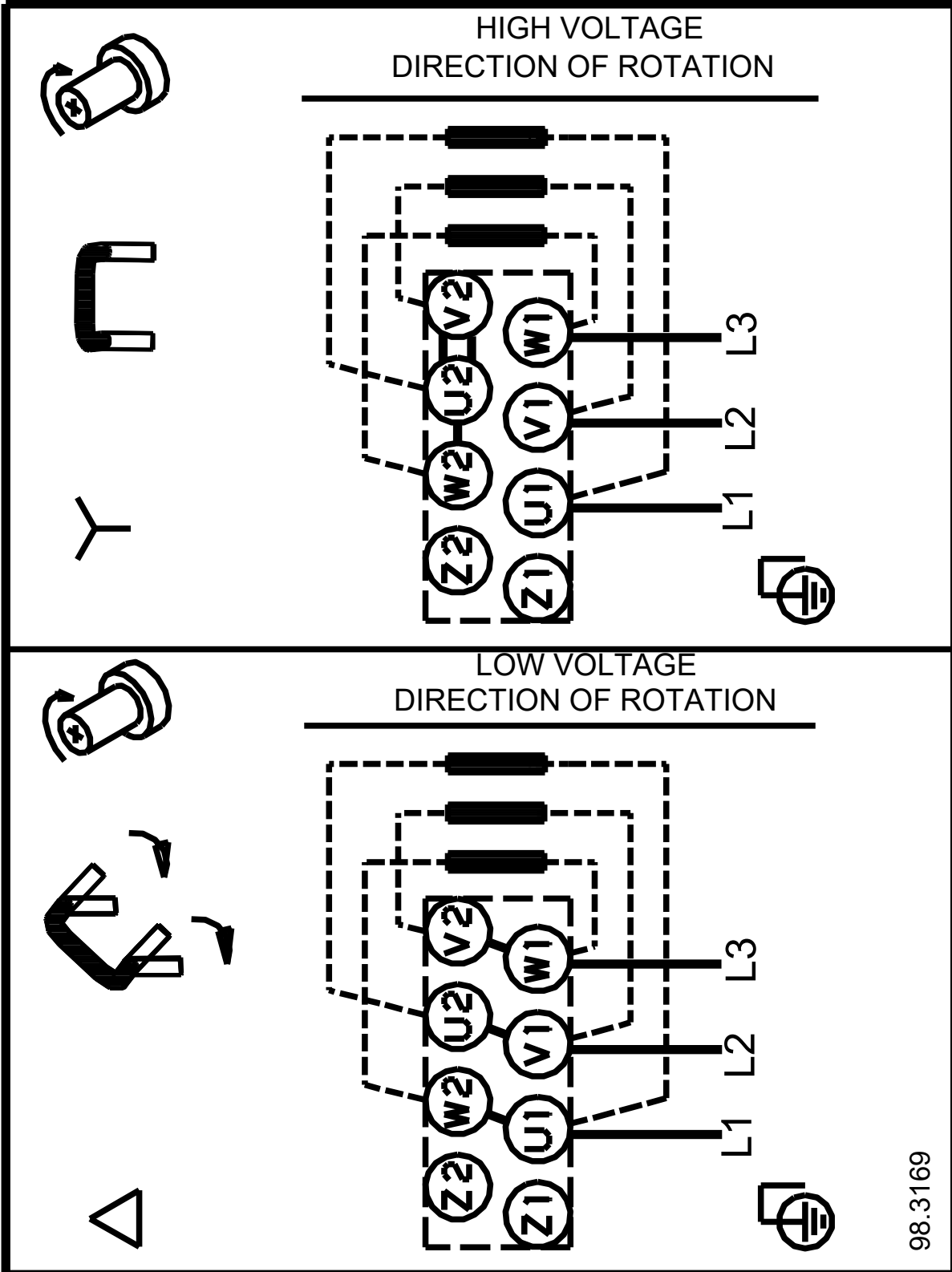
Description	Value
Shipping volume:	0.026 m <sup>3</sup>
Danish VVS No.:	381811090
Finnish LVI No.:	4616006
Norwegian NRF no.:	9043525
Country of origin:	HU
Custom tariff no.:	84137051

## On request TP 32-90/2 A-O-A-BQQE-DW1 50 Hz



Note! All units are in [mm] unless others are stated.  
Disclaimer: This simplified dimensional drawing does not show all details.

On request TP 32-90/2 A-O-A-BQQE-DW1 50 Hz



Note! All units are in [mm] unless others are stated.

