

Qty.	Description
------	-------------

1	Unilift CC9 - A1 HG
---	---------------------



Note! Product picture may differ from actual product

Product No.: On request

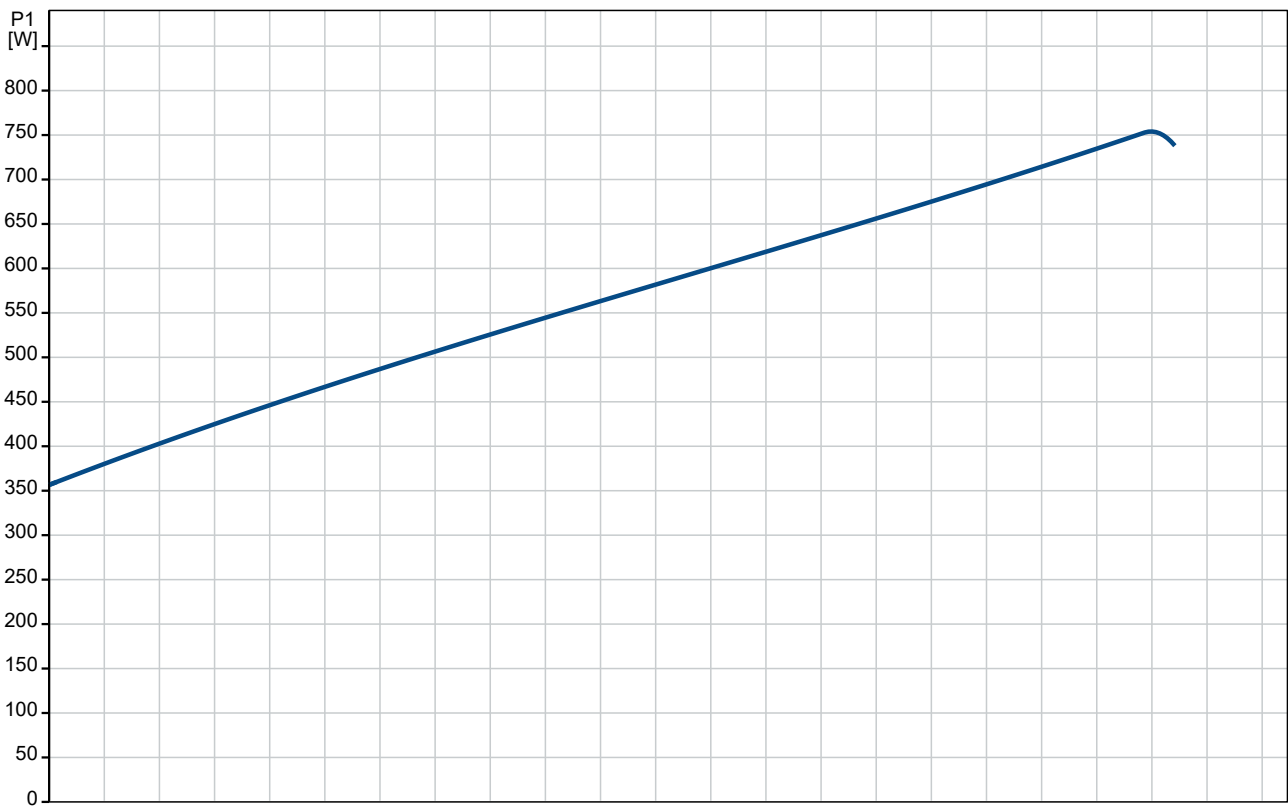
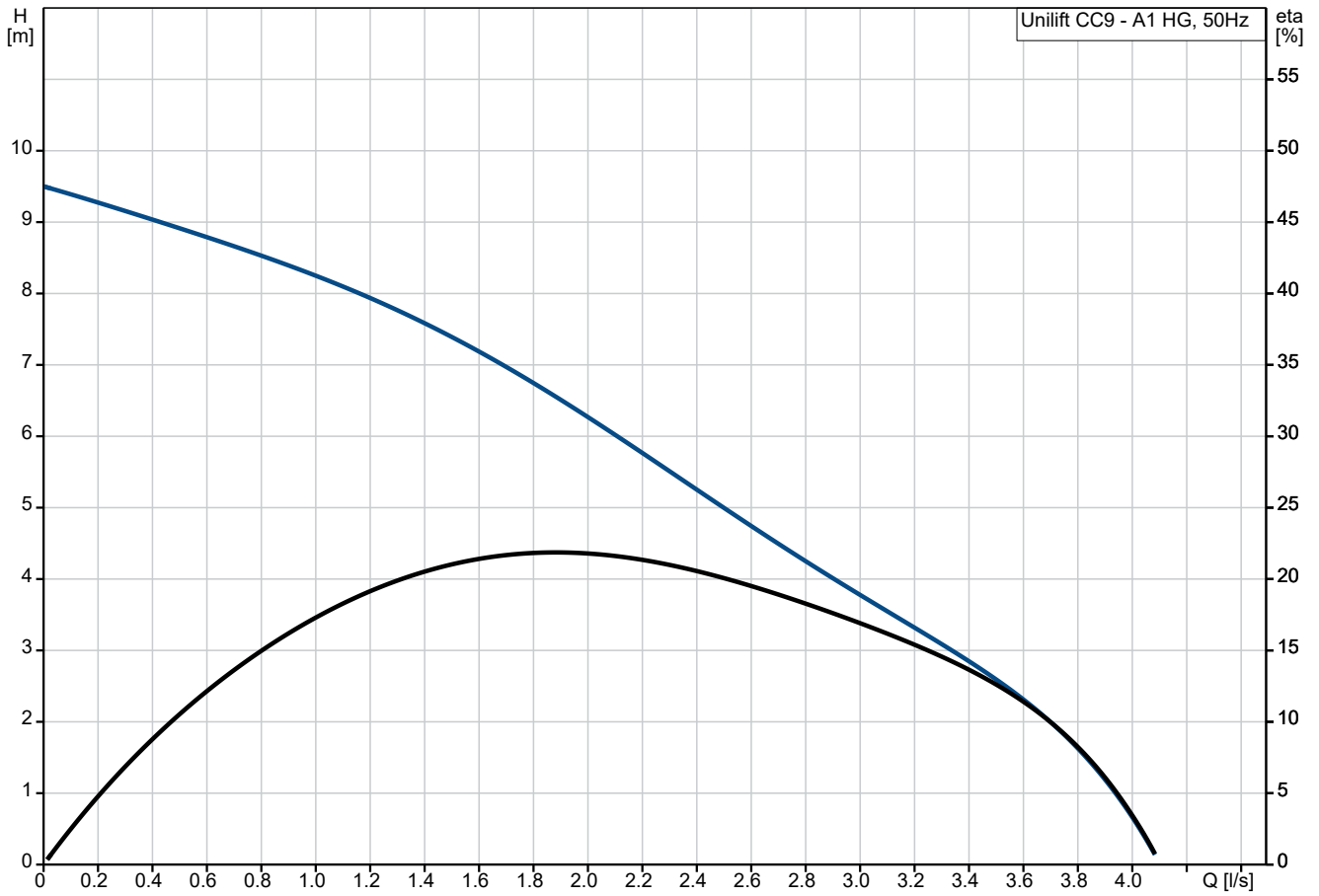
Grundfos UNILIFTCC pumps are single-stage submersible pumps capable of pumping down to 3 mm water level.

The pumps are designed for pumping less aggressive grey water and salty media such as brackish water in harbors, sea water, salt brine from water softeners etc.

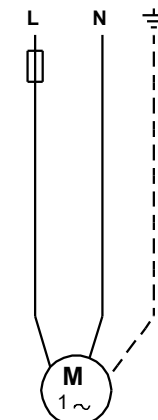
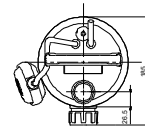
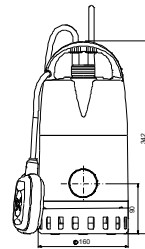
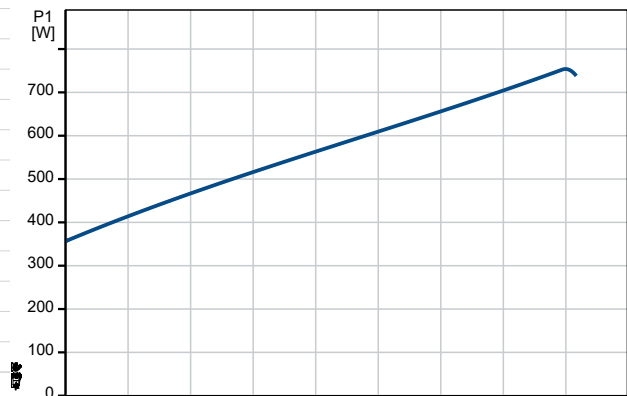
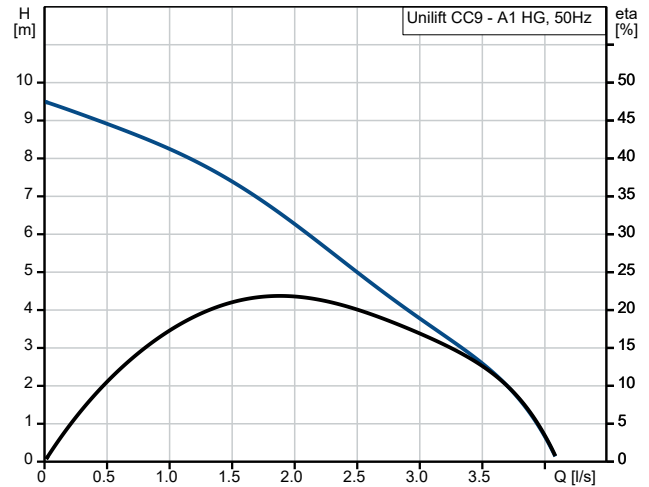
The pumps are suitable for both stationary and portable use. They are for automatic operation, and they allow free passage of particles up to $\phi 10$ mm.

The motor incorporates automatic overload protection, cutting out the motor in case of overload. When cooled to normal temperature, the motor restarts automatically.

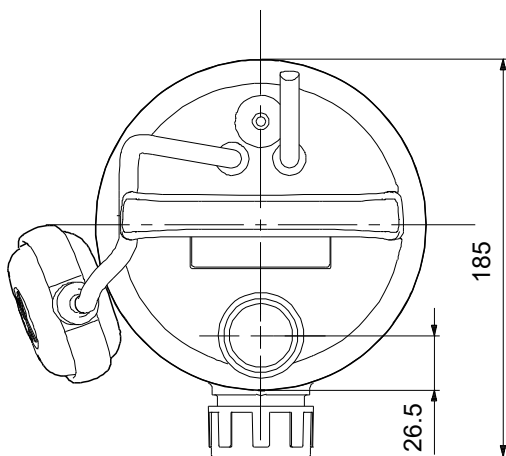
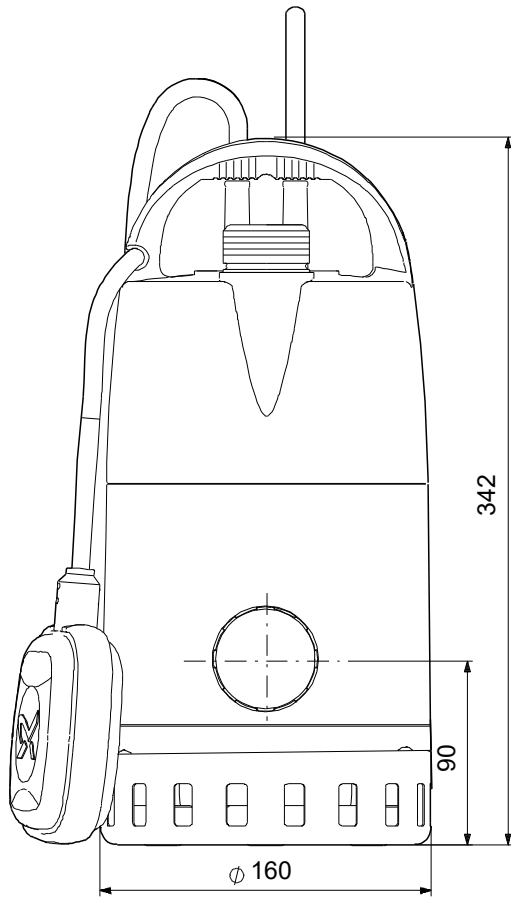
On request Unilift CC9 - A1 HG 50 Hz



Description	Value
General information:	
Product name:	Unilift CC9 - A1 HG
Product No:	On request
EAN number:	On request
Technical:	
Rated flow:	1.85 l/s
Maximum flow:	3.89 l/s
Rated head:	6.56 m
Maximum head:	9 m
Max. Particle:	10 mm
Approvals:	CE, LGA, VDE, UKCA, SEPRO
Materials:	
Pump housing:	Polypropylene
Pump housing:	PP - GF15
Impeller:	Stainless steel
Impeller:	EN 1.4401
Motor:	Stainless steel
Motor:	EN 1.4401
Motor:	AISI 316
Shaft:	Stainless steel
Shaft:	EN 1.4401
Shaft:	AISI 316
Installation:	
Range of ambient temperature:	0 .. 40 °C
Type of connection:	R
Size of connection:	1 1/4 inch
Maximum installation depth:	7 m
Liquid:	
Liquid temperature range:	0 .. 40 °C
Density:	998.2 kg/m ³
Electrical data:	
Power input P1:	780 W
P2:	465 W
Mains frequency:	50 Hz
Rated voltage:	1 x 220-240 V
Rated current:	3.5 A
Rated speed:	2850 rpm
Capacitor size - run:	8 µF/450 V
Enclosure class (IEC 34-5):	IP68
Insulation class (IEC 85):	B
Built-in motor protection:	YES
Length of power cable:	10 m
Type of cable plug:	SCHUKO
Controls:	
Level switch:	float switch
Others:	
Net weight:	6.94 kg
Gross weight:	7.7 kg
Shipping volume:	0.021 m ³
Danish VVS No.:	391280393
Finnish LVI No.:	4822565
Norwegian NRF no.:	9045236
Country of origin:	HU
Custom tariff no.:	84137021
Environmental approvals:	WEEE



On request Unilift CC9 - A1 HG 50 Hz



Note! All units are in [mm] unless others are stated.
Disclaimer: This simplified dimensional drawing does not show all details.

