

# Submittal Data

PROJECT:	UNIT TAG:	QUANTITY:
REPRESENTATIVE: _____	TYPE OF SERVICE:	DATE: _____
ENGINEER:	SUBMITTED BY:	DATE:
CONTRACTOR:	APPROVED BY:	DATE:
	ORDER NO.:	DATE:

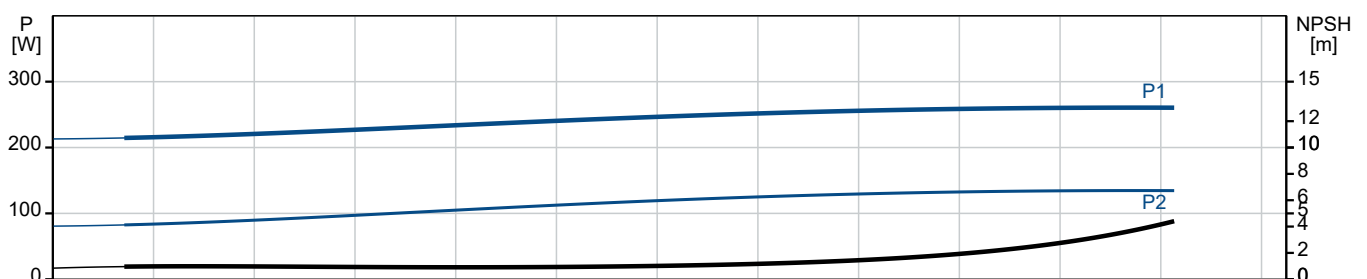
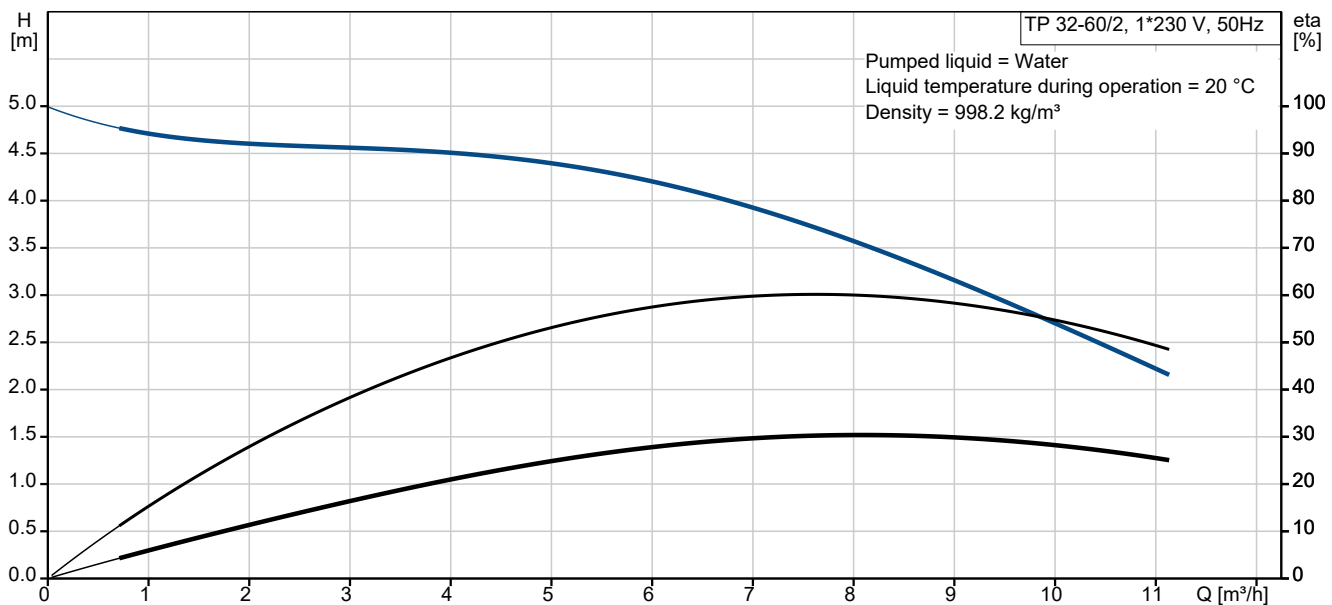


## TP 32-60/2 A-F-A-BQQE-CW1

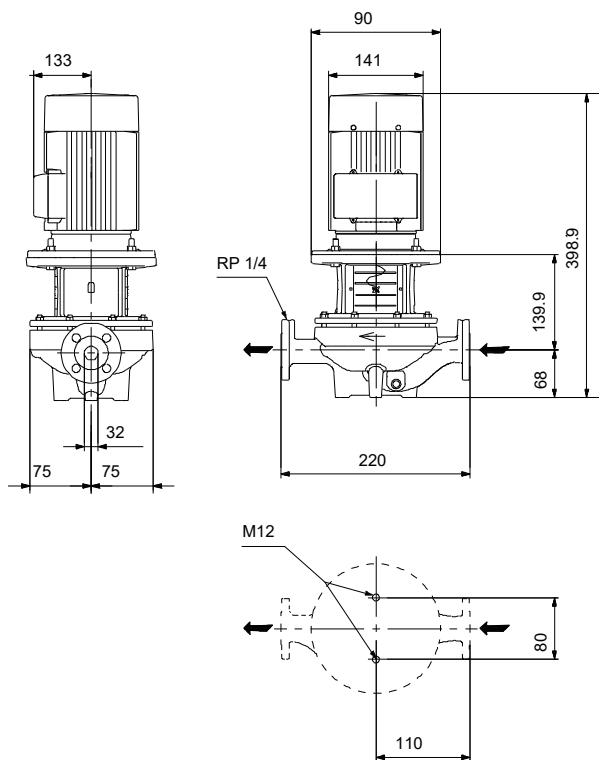
Grundfos TP pumps are single-stage, close-coupled in-line centrifugal pumps with mechanical shaft seal and primely for applications such as heating/cooling/district energy. The pumps are fitted with fixed speed motors.

Note! Product picture may differ from actual product

Conditions of Service	Pump Data	Motor Data
	Max pressure at stated temp: 10 bar / 120 °C Liquid temperature range: -25 .. 120 °C Maximum ambient temperature: 40 °C Shaft seal: BQQE Product number: On request	Rated voltage: 220-230 V Mains frequency: 50 Hz Enclosure class: 55 Dust/Jetting Insulation class: F Motor protection: PTO Motor type: 71A Eta 1/1: 66.0-66.0 %



# Submittal Data



## Materials:

Pump housing: Cast iron  
Pump housing: ASTM class 35  
Impeller: Stainless steel  
Impeller: AISI 304  
Impeller: EN 1.4301  
Material code: A

**Qty. Description**

1 TP 32-60/2 A-F-A-BQQE-CW1



**Note! Product picture may differ from actual product**

Product No.: On request

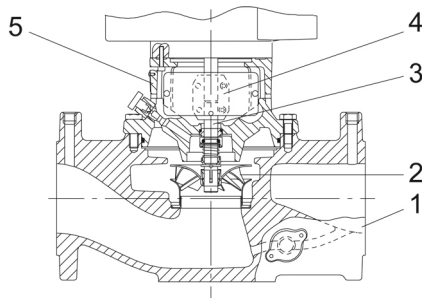
Single-stage, close-coupled, volute pump with in-line suction and discharge ports of identical diameter. The pump is of the top-pull-out design, i.e. the power head (motor, pump head and impeller) can be removed for maintenance or service while the pump housing remains in the pipework.

The pump is fitted with an unbalanced rubber bellows seal. The shaft seal is according to EN 12756. Pipework connection is via PN 6/10 DIN flanges (EN 1092-2 and ISO 7005-2).

The pump is fitted with a fan-cooled asynchronous motor.

Cast-iron parts have an epoxy-based coating made in a cathodic electro-deposition (CED) process. CED is a high-quality dip-painting process where an electrical field around the products ensures deposition of paint particles as a thin, well-controlled layer on the surface.

**Pump**



1: Pump housing

2: Impeller

3: Shaft

4: Coupling

5: Pump head

The pump housing is provided with a replaceable stainless steel/PTFE neck ring to reduce the amount of liquid running from the discharge side of the impeller to the suction side.

The impeller is secured with a split cone with nut.

The pump is fitted with an unbalanced rubber bellows seal with torque transmission across the spring and around the bellows. Due to the bellows, the seal does not wear the shaft, and the axial movement is not prevented by deposits on the shaft.

Seal faces:

- Rotating seal ring material: silicon carbide (SiC)
- Stationary seat material: silicon carbide (SiC)

This material pairing is used where higher corrosion resistance is required. The high hardness of this material pairing offers good resistance against abrasive particles.

Secondary seal material: EPDM (ethylene-propylene rubber)

EPDM has excellent resistance to hot water. EPDM is not suitable for mineral oils.

A circulation of liquid through the duct of the air vent screw ensures lubrication and cooling of the shaft seal.

The flanges have tapings for mounting of pressure gauges.

The motor stool forms connection between the pump housing and the motor, and is equipped with a manual air vent screw for venting of the pump housing and the shaft seal chamber. The sealing between motor stool and pump housing is an O-ring.

Qty.	Description
1	<p>The central part of the motor stool is provided with guards for protection against the shaft and coupling. Motor and pump shaft are connected via a shell coupling.</p> <p><b>Motor</b></p> <p>The motor is a totally enclosed, fan-cooled motor with principal dimensions to IEC and DIN standards. Electrical tolerances comply with IEC 60034.</p> <p>The motor is flange-mounted with tapped-hole flange (FT). Motor-mounting designation in accordance with IEC 60034-7: IM B 14, IM V 18 (Code I) / IM 3601, IM 3611 (Code II).</p> <p>The motor efficiency is classified as IE2 in accordance with IEC 60034-30.</p> <p>The motor has built-in thermal protection (PTO current and temperature sensors) in accordance with IEC 60034-11 and requires no further motor protection. The protection reacts to both slow- and quick-rising temperatures, e.g. constant overload and stalled conditions.</p> <p>As the thermal protection incorporates automatic reset, the motor must be connected in a way which ensures that the automatic reset cannot cause accidents.</p> <p><b>Further product details</b></p> <p>Cast-iron parts have an epoxy-based coating made in a cathodic electro-deposition (CED) process. CED is a high-quality dip-painting process where an electrical field around the products ensures deposition of paint particles as a thin, well-controlled layer on the surface.</p> <p><b>Technical data</b></p> <p>Controls: Frequency converter:                      None</p> <p>Liquid: Liquid temperature range:                -25 .. 120 °C</p> <p>Technical: Pump speed on which pump data are based:    2890 rpm Rated flow:                                      7.5 m<sup>3</sup>/h Rated head:                                        3.6 m Actual impeller diameter:                    64 mm Code for shaft seal:                            BQQE Curve tolerance:                                ISO9906:2012 3B2</p> <p>Materials: Pump housing:                                    Cast iron     EN-GJL-250     ASTM class 35</p> <p>Impeller:    Stainless steel     EN 1.4301     AISI 304</p> <p>Installation: Range of ambient temperature:            -30 .. 40 °C Maximum operating pressure:              10 bar Max pressure at stated temp:              10 bar / 120 °C Type of connection:                            DIN Size of connection:                             DN 32 Pressure rating for connection:            PN 6/10 Port-to-port length:                            220 mm Flange size for motor:                         FT75</p> <p>Electrical data: Motor type:                                        71A</p>



Company name:

Created by:

Phone:

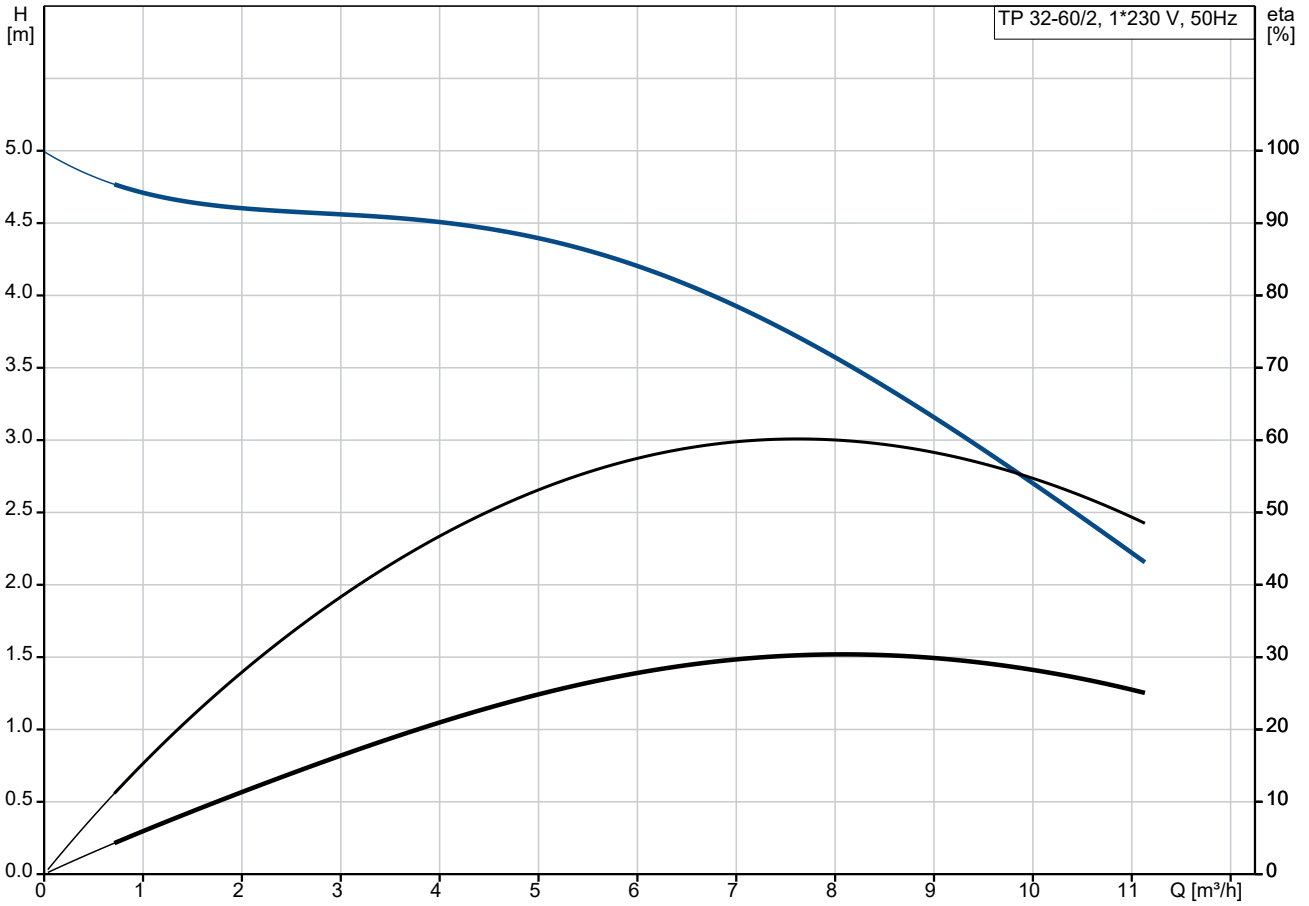
Date:

29/11/2023

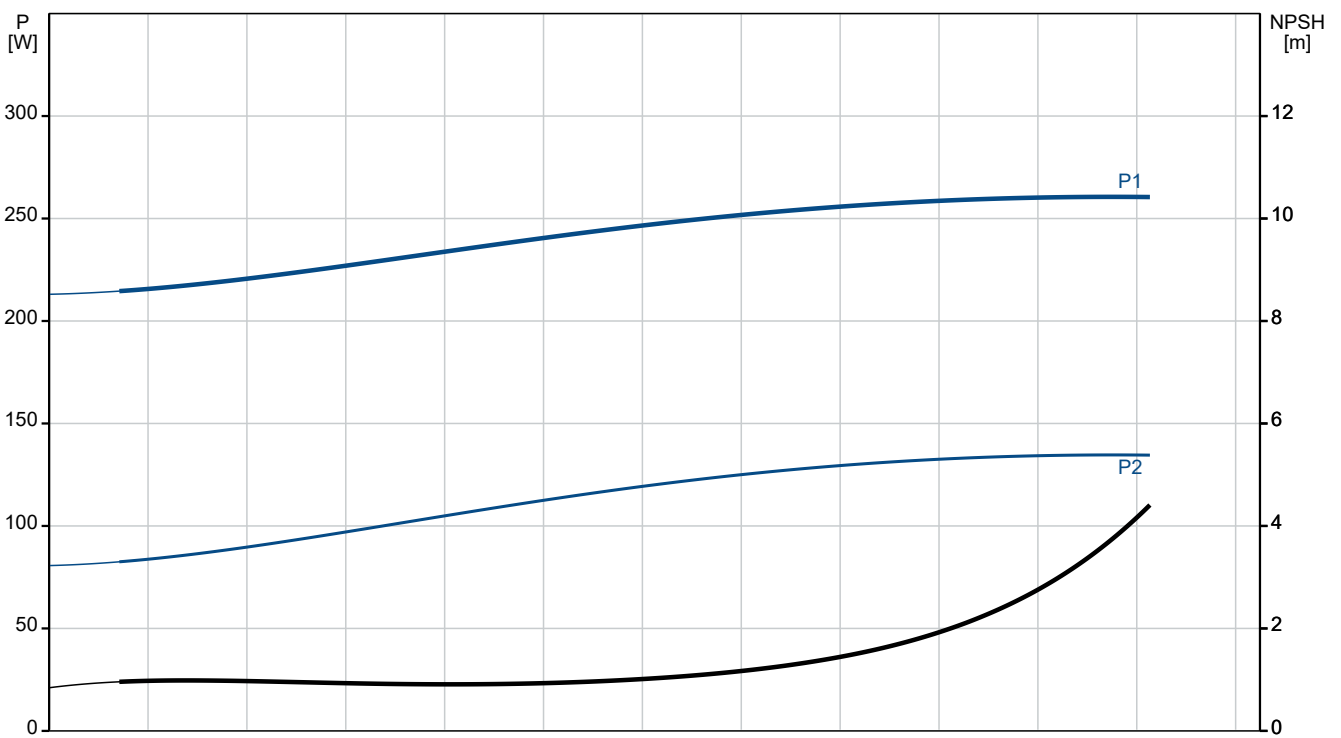
**Qty. Description**

1	Rated power - P2:	0.25 kW
	Mains frequency:	50 Hz
	Rated voltage:	1 x 220-230 V
	Rated current:	1.80-1.80 A
	Starting current:	450-490 %
	Cos phi - power factor:	0.99-0.98
	Rated speed:	2840-2850 rpm
	IE Efficiency class:	IE2
	Motor efficiency at full load:	66.0-66.0 %
	Motor efficiency at 3/4 load:	62.8-60.3 %
	Motor efficiency at 1/2 load:	52.7-49.8 %
	Number of poles:	2
	Enclosure class (IEC 34-5):	55 Dust/Jetting
	Insulation class (IEC 85):	F
	Motor No:	92696830
	Others:	
	Minimum efficiency index, MEI $\geq$ :	0.56
	Net weight:	18.9 kg
	Gross weight:	22.4 kg
	Shipping volume:	0.08 m <sup>3</sup>
	Country of origin:	HU
	Custom tariff no.:	84137051

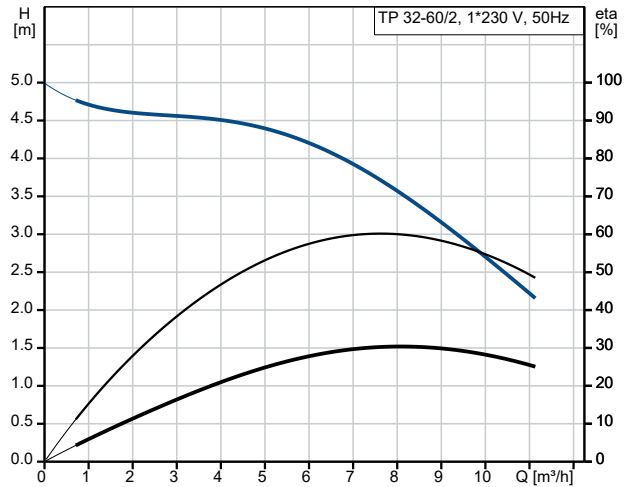
## On request TP 32-60/2 A-F-A-BQQE-CW1 50 Hz



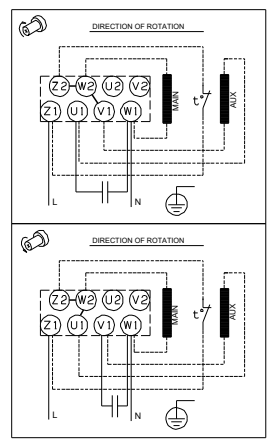
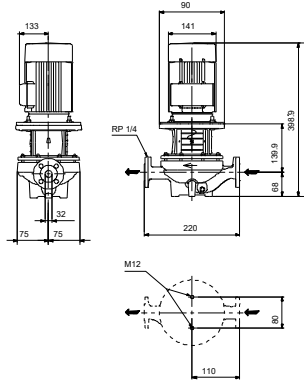
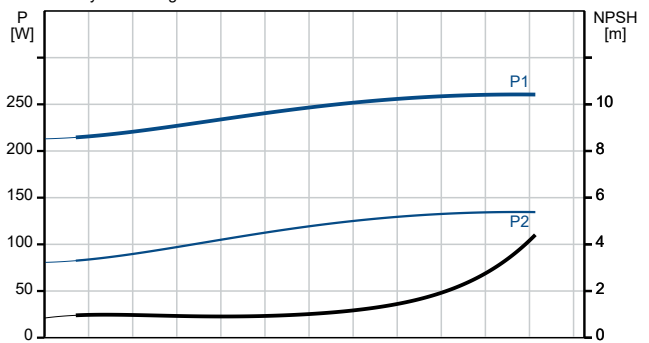
Pumped liquid = Water  
Liquid temperature during operation = 20 °C  
Density = 998.2 kg/m³



Description	Value
<b>General information:</b>	
Product name:	TP 32-60/2 A-F-A-BQQE-CW1
Product No:	On request
EAN number:	On request
<b>Technical:</b>	
Pump speed on which pump data are based:	2890 rpm
Rated flow:	7.5 m <sup>3</sup> /h
Rated head:	3.6 m
Maximum head:	60 dm
Actual impeller diameter:	64 mm
Code for shaft seal:	BQQE
Curve tolerance:	ISO9906:2012 3B2
Pump version:	A
<b>Materials:</b>	
Pump housing:	Cast iron
Pump housing:	EN-GJL-250
Pump housing:	ASTM class 35
Impeller:	Stainless steel
Impeller:	EN 1.4301
Impeller:	AISI 304
Material code:	A
<b>Installation:</b>	
Range of ambient temperature:	-30 .. 40 °C
Maximum operating pressure:	10 bar
Max pressure at stated temp:	10 bar / 120 °C
Type of connection:	DIN
Size of connection:	DN 32
Pressure rating for connection:	PN 6/10
Port-to-port length:	220 mm
Flange size for motor:	FT75
Connect code:	F
<b>Liquid:</b>	
Liquid temperature range:	-25 .. 120 °C
<b>Electrical data:</b>	
Motor type:	71A
Rated power - P2:	0.25 kW
Mains frequency:	50 Hz
Rated voltage:	1 x 220-230 V
Rated current:	1.80-1.80 A
Starting current:	450-490 %
Cos phi - power factor:	0.99-0.98
Rated speed:	2840-2850 rpm
IE Efficiency class:	IE2
Motor efficiency at full load:	66.0-66.0 %
Motor efficiency at 3/4 load:	62.8-60.3 %
Motor efficiency at 1/2 load:	52.7-49.8 %
Number of poles:	2
Enclosure class (IEC 34-5):	55 Dust/Jetting
Insulation class (IEC 85):	F
Built-in motor protection:	PTO
Motor No:	92696830
<b>Controls:</b>	
Frequency converter:	None
<b>Others:</b>	
Minimum efficiency index, MEI ≥:	0.56
Net weight:	18.9 kg



Pumped liquid = Water  
 Liquid temperature during operation = 20 °C  
 Density = 998.2 kg/m<sup>3</sup>





Company name:

Created by:

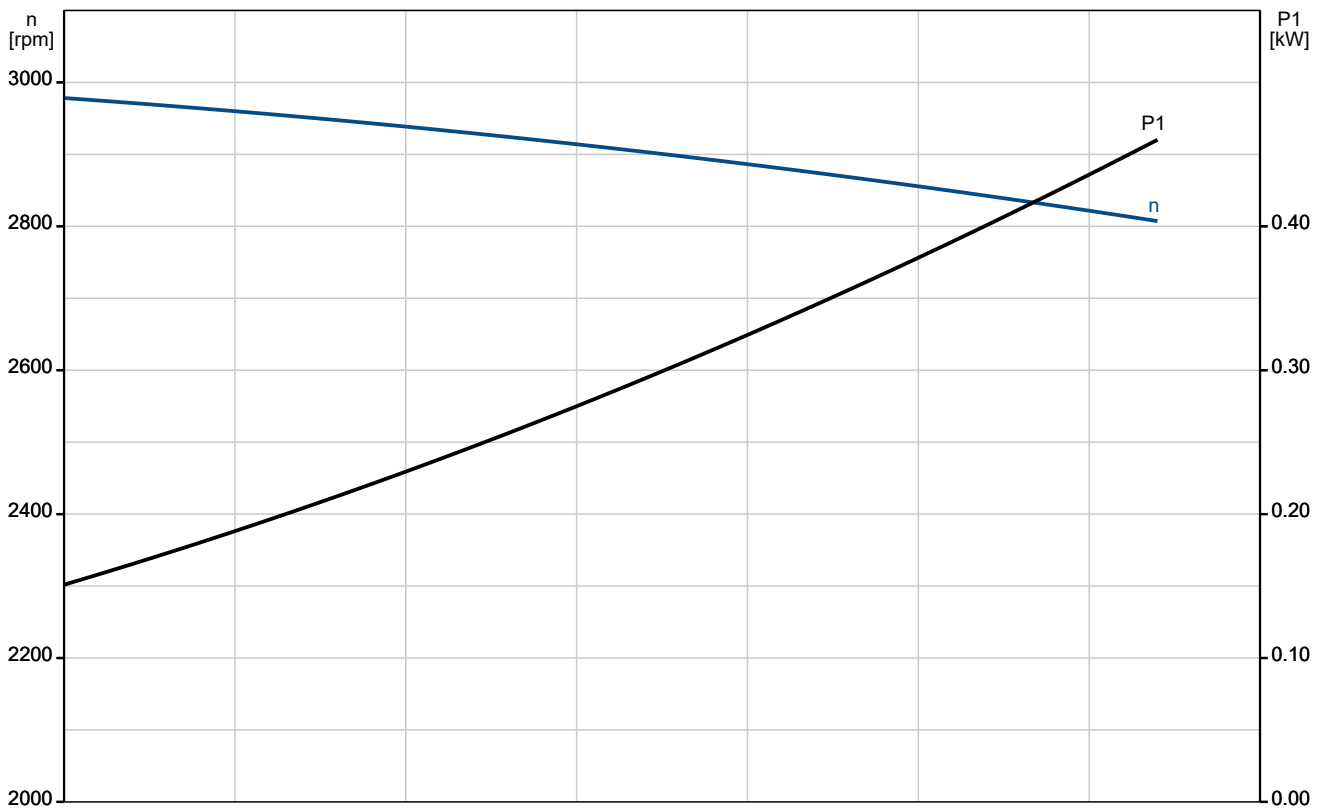
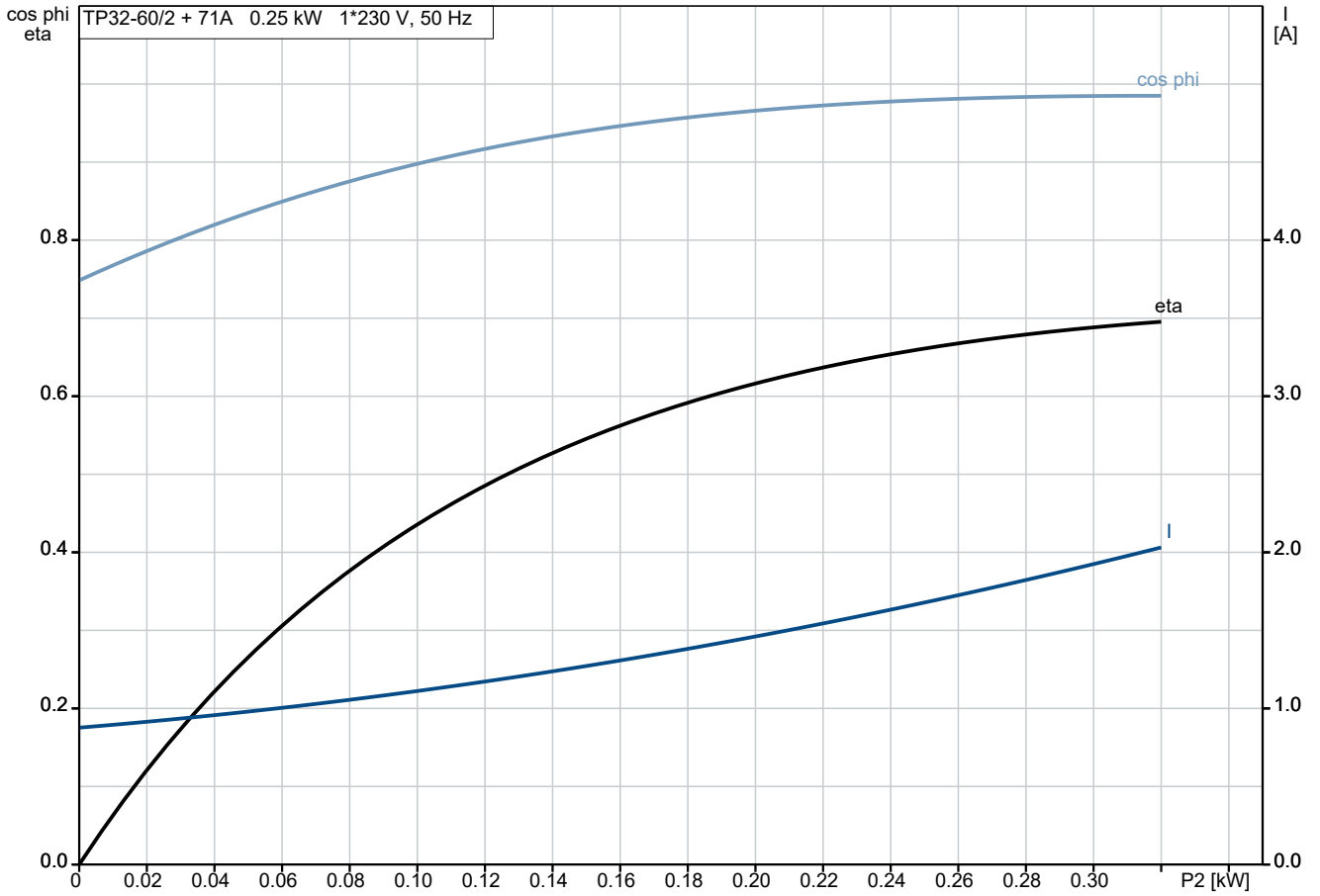
Phone:

Date:

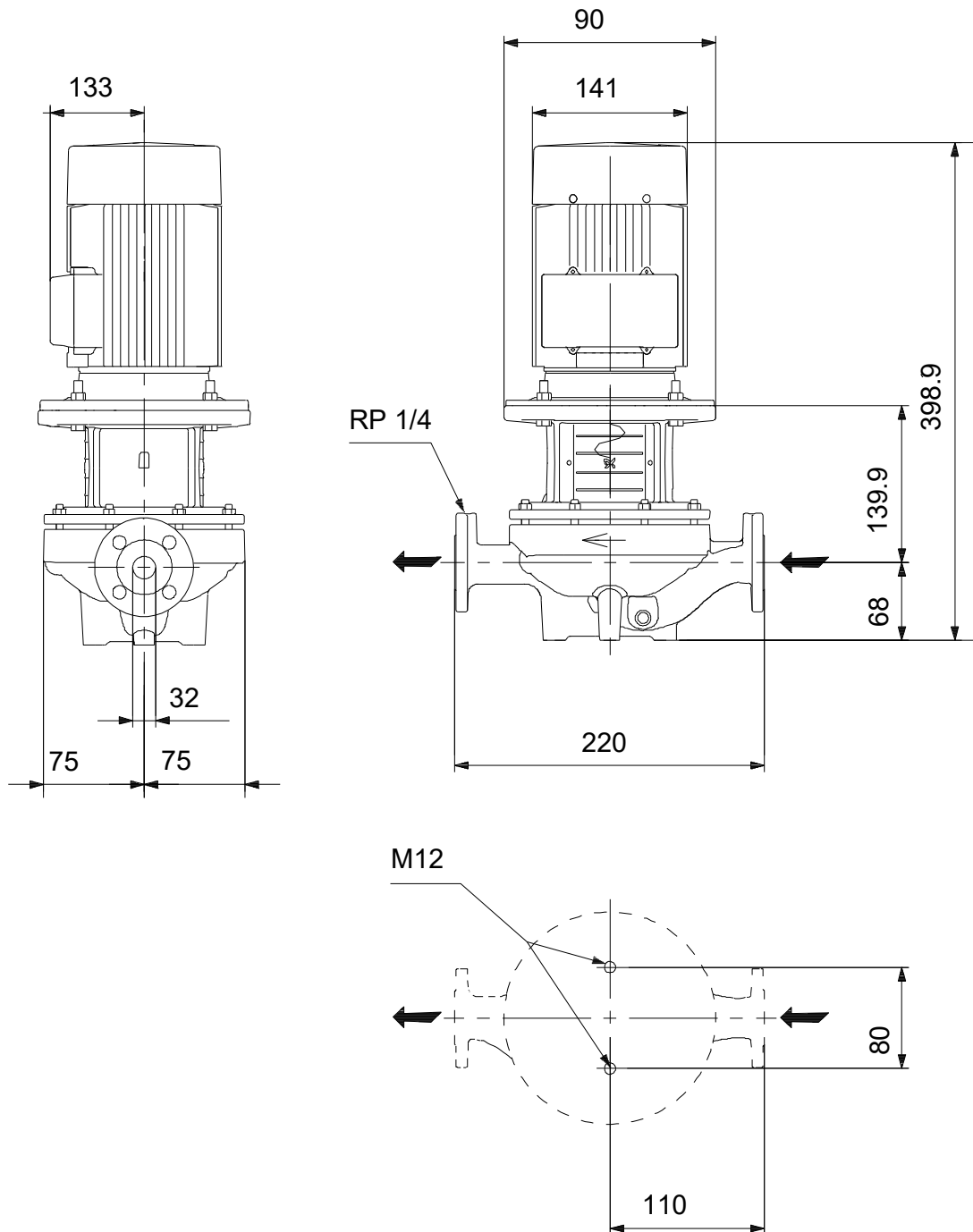
29/11/2023

Description	Value
Gross weight:	22.4 kg
Shipping volume:	0.08 m <sup>3</sup>
Country of origin:	HU
Custom tariff no.:	84137051

## On request TP 32-60/2 A-F-A-BQQE-CW1 50 Hz

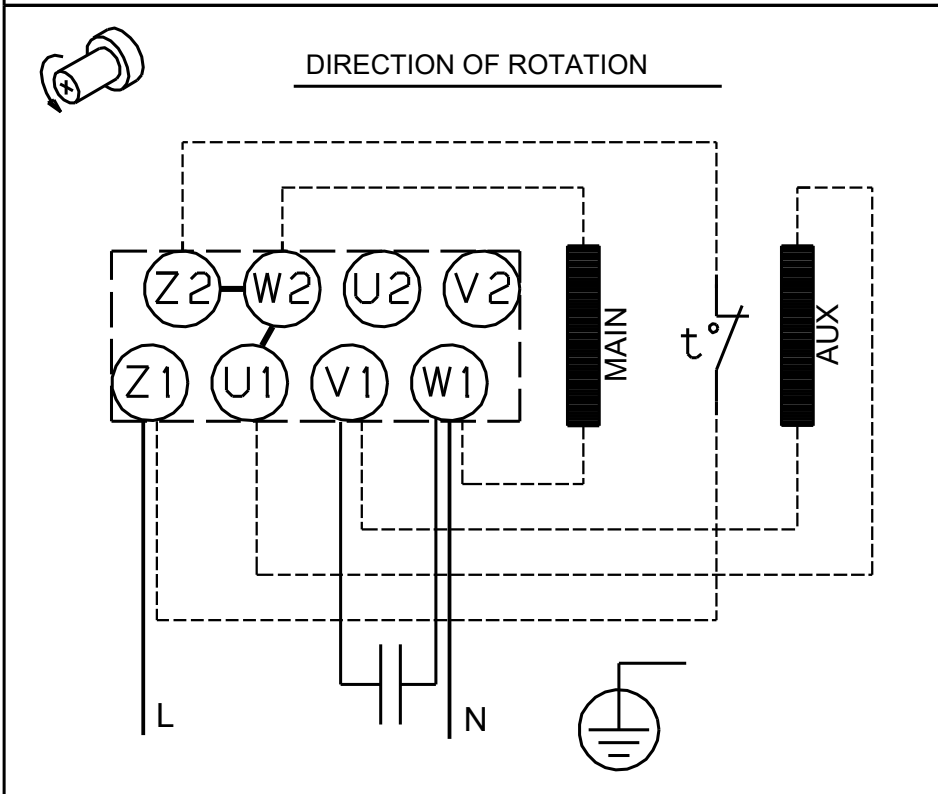
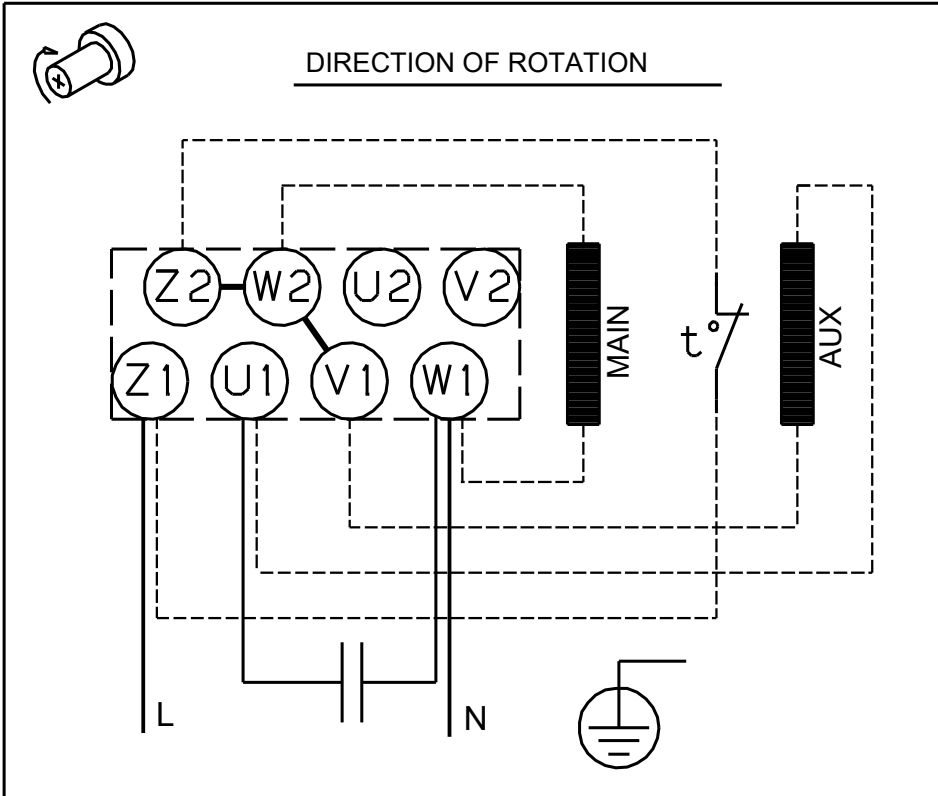


## On request TP 32-60/2 A-F-A-BQQE-CW1 50 Hz



Note! All units are in [mm] unless others are stated.  
Disclaimer: This simplified dimensional drawing does not show all details.

## On request TP 32-60/2 A-F-A-BQQE-CW1 50 Hz



Note! All units are in [mm] unless others are stated.

