

Submittal Data

| | | |
|-----------------------|------------------|-------------|
| PROJECT: | UNIT TAG: | QUANTITY: |
| REPRESENTATIVE: _____ | TYPE OF SERVICE: | DATE: _____ |
| ENGINEER: | SUBMITTED BY: | DATE: |
| CONTRACTOR: | APPROVED BY: | DATE: |
| | ORDER NO.: | DATE: |

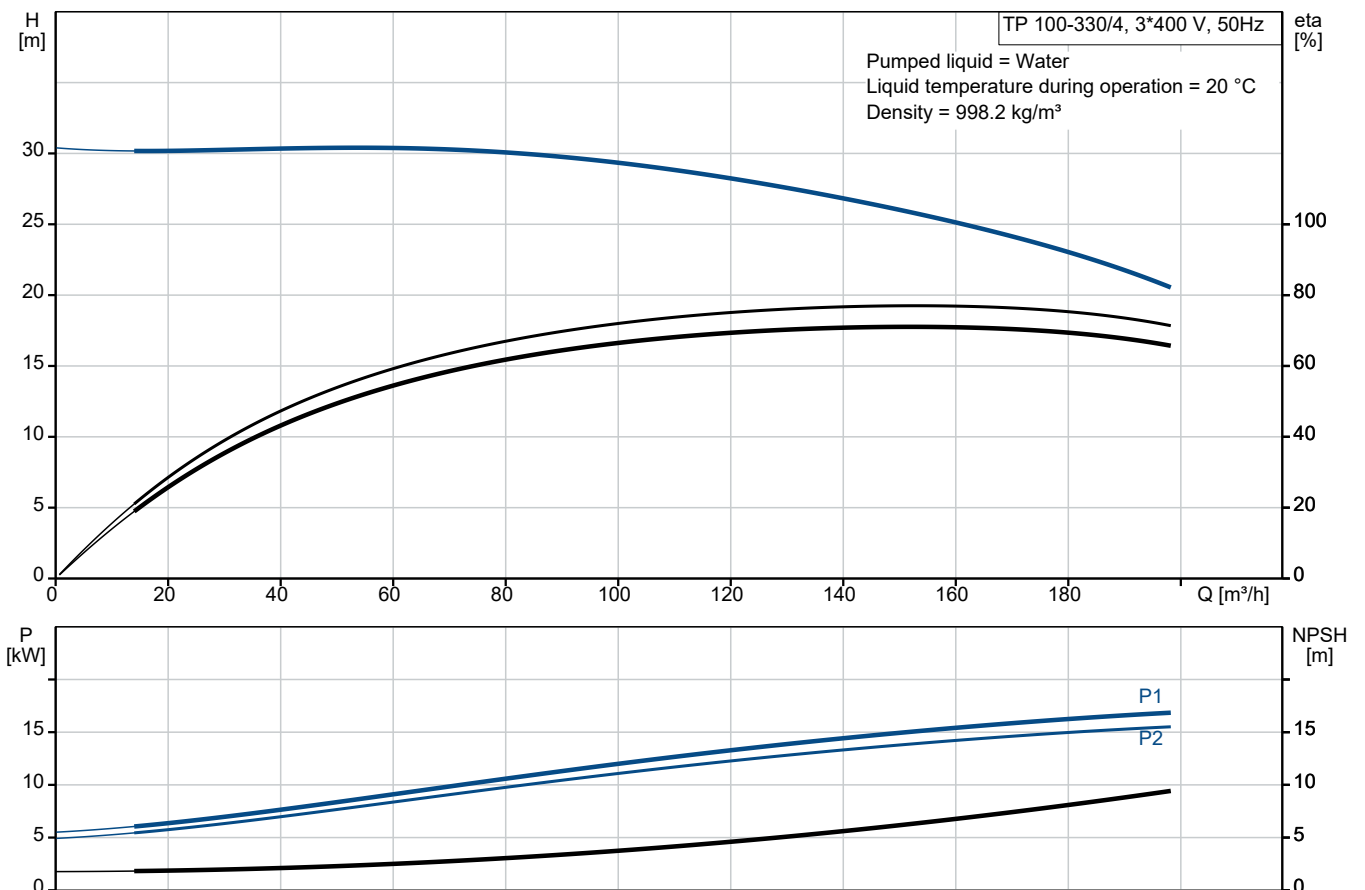


TP 100-330/4 A3-F-O-DAQF-OW3

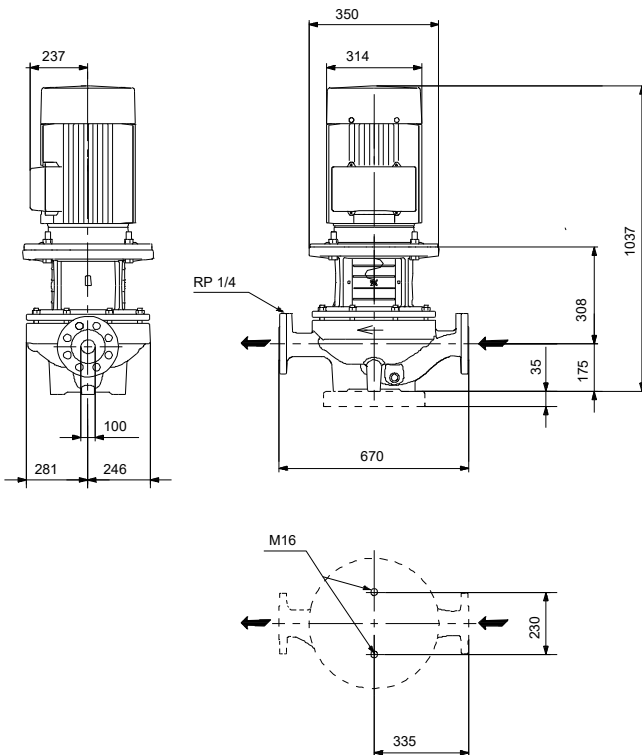
Grundfos TP pumps are single-stage, close-coupled in-line centrifugal pumps with mechanical shaft seal and primely for applications such as heating/cooling/district energy. The pumps are fitted with fixed speed motors.

Note! Product picture may differ from actual product

| Conditions of Service | Pump Data | Motor Data |
|-----------------------|---|--|
| | Max pressure at stated temp: 25 bar / 140 °C Liquid temperature range: 0 .. 140 °C Maximum ambient temperature: 55 °C Shaft seal: DAQF Product number: On request | Rated voltage: 380-420D/660-725Y V Mains frequency: 50 Hz Enclosure class: IP55 Insulation class: F Motor protection: PTC Motor type: SIEMENS Eta 1/1: 92.1-92.1 % |



Submittal Data



Materials:

Pump housing: Ductile iron
Pump housing: ASTM Grade 60-40-18
Impeller: Cast iron
Impeller: ASTM class 30
Impeller: EN-GJL-200
Material code: O

Qty. Description

1 TP 100-330/4 A3-F-O-DAQF-OW3



Note! Product picture may differ from actual product

Product No.: On request

Single-stage, close-coupled, volute pump with in-line suction and discharge ports of identical diameter. The pump is of the top-pull-out design, i.e. the power head (motor, pump head and impeller) can be removed for maintenance or service while the pump housing remains in the pipework.

The pump is fitted with a balanced O-ring seal. The shaft seal is according to EN 12756. Pipework connection is via PN 25 DIN flanges (EN 1092-2 and ISO 7005-2).

The pump is fitted with a fan-cooled asynchronous motor.

Cast-iron parts have an epoxy-based coating made in a cathodic electro-deposition (CED) process. CED is a high-quality dip-painting process where an electrical field around the products ensures deposition of paint particles as a thin, well-controlled layer on the surface.

Pump



- 1: Pump housing
- 2: Impeller
- 3: Stub shaft
- 4: Pump head/motor stool
- 5: Wear rings

The pump housing is provided with a replaceable brass neck ring to reduce the amount of liquid running from the outlet side of the impeller to the inlet side.

The impeller is secured to the shaft with a nut.

The pump is fitted with a balanced O-ring seal. Due to the balancing, this seal type is suitable for high-pressure applications. This seal type is excellent for high-viscosity, dirt- and fibre-containing liquids due to the spring location on the atmospheric side. The seal features a rigid torque-transmission design.

Seal faces:

- Rotating seal ring material: carbon graphite, metal-impregnated
- Stationary seat material: silicon carbide (SiC)

Due to the favourable lubricating properties of carbon graphite, the seal is suitable for use even under poor lubricating conditions, such as hot water.

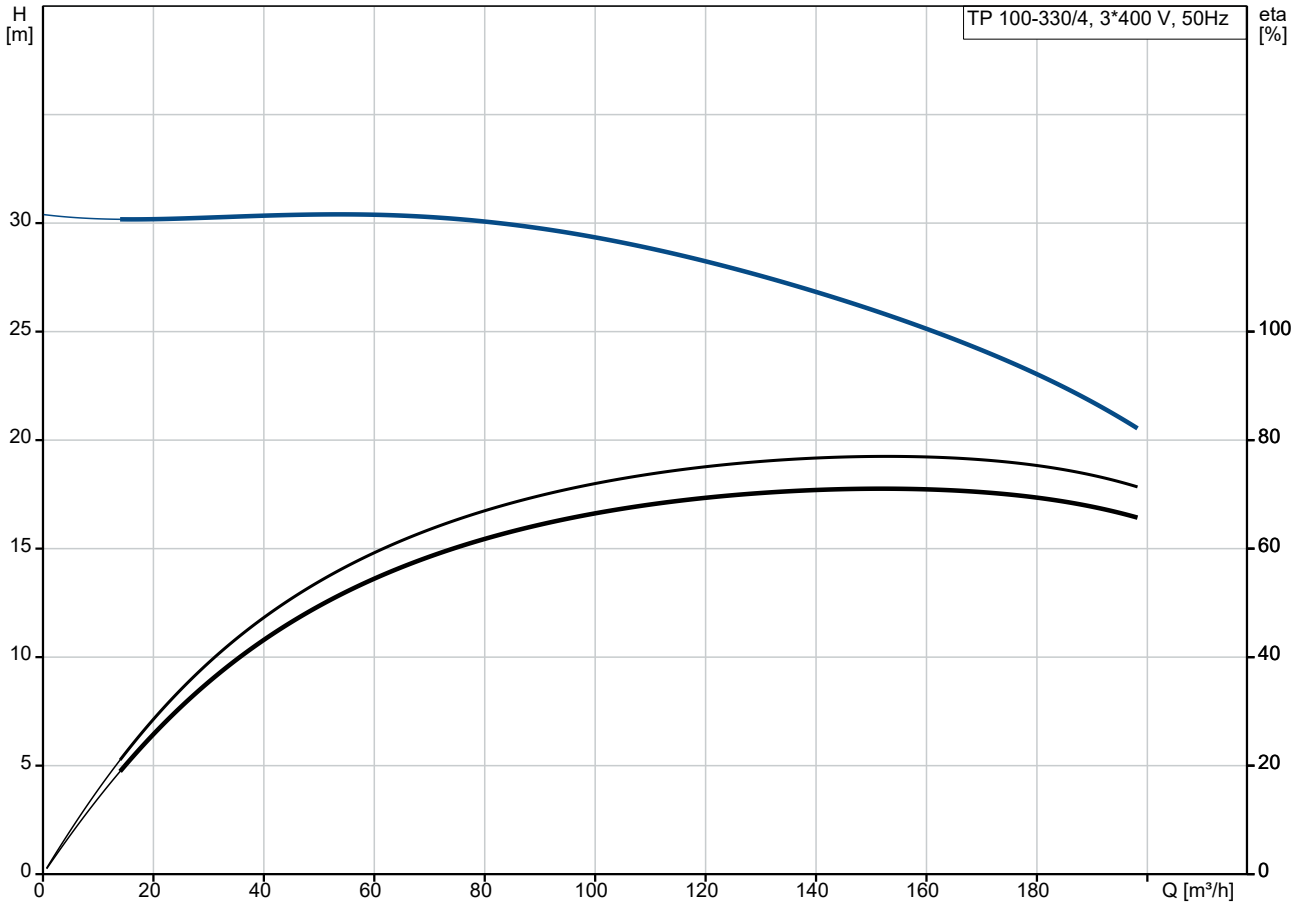
However, under such conditions, wear on the carbon graphite face can be expected, and seal life will be reduced .

The material pairing is not recommended for liquids containing particles as this will result in wear on the SiC face. Secondary seal material: FXM (fluorinated copolymer)

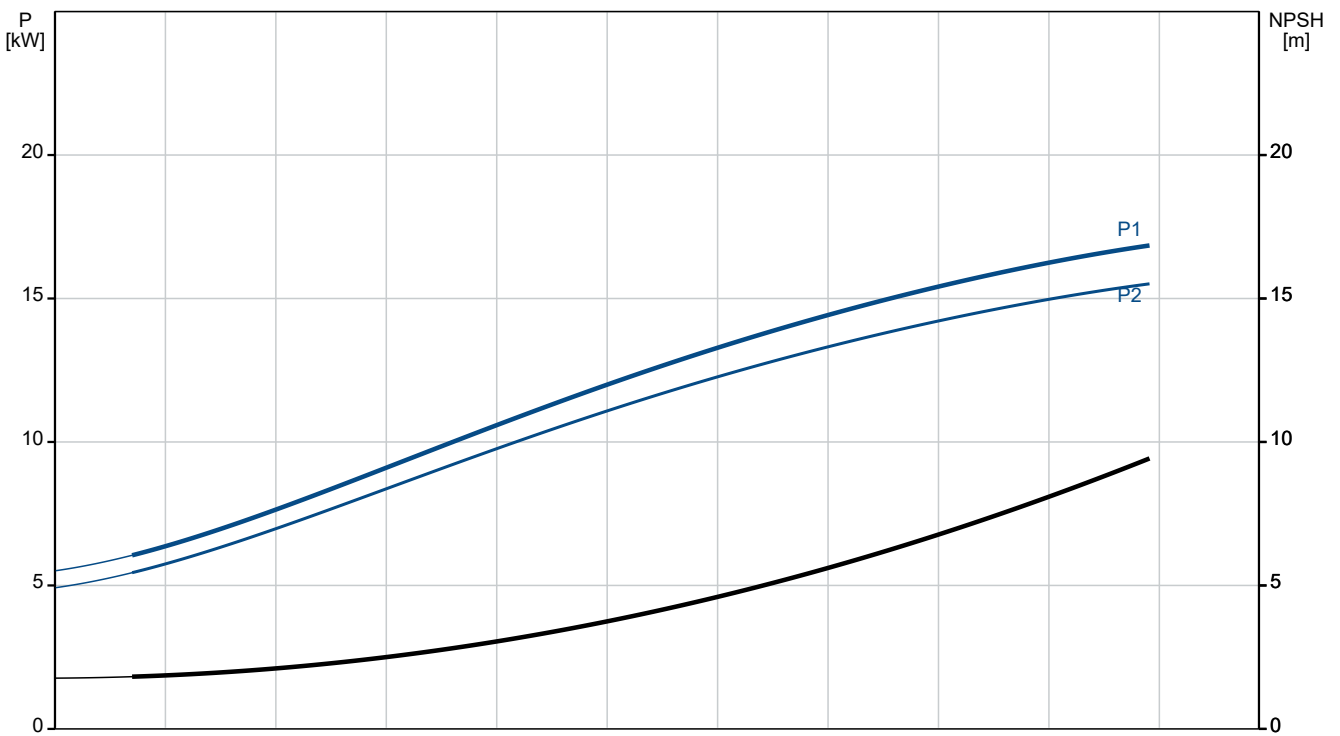
| Qty. | Description |
|------|--|
| 1 | <p data-bbox="201 342 1414 365">FXM is particularly suitable for extremely high temperatures and pressures. FXM has a good chemical resistance.</p> <p data-bbox="201 400 1350 423">A circulation of liquid through the duct of the air vent screw ensures lubrication and cooling of the shaft seal.</p> <p data-bbox="201 427 847 450">The flanges have tappings for mounting of pressure gauges.</p> <p data-bbox="201 456 1442 533">The motor stool forms connection between the pump housing and the motor, and is equipped with a manual air vent screw for venting of the pump housing and the shaft seal chamber. The sealing between motor stool and pump housing is an O-ring.</p> <p data-bbox="201 544 1414 593">The central part of the motor stool is provided with guards for protection against the shaft and coupling. The pump shaft is fastened directly on the motor shaft with key and set screws.</p> <p data-bbox="201 600 632 622">The pump is mounted with a base plate.</p> <p data-bbox="201 660 284 683">Motor</p> <p data-bbox="201 696 1394 745">The motor is a totally enclosed, fan-cooled motor with principal dimensions to IEC and DIN standards. Electrical tolerances comply with IEC 60034.</p> <p data-bbox="201 752 794 775">The motor is flange-mounted with free-hole flange (FF).</p> <p data-bbox="201 781 1426 804">Motor-mounting designation in accordance with IEC 60034-7: IM B 5, IM V 1 (Code I) / IM 3001, IM 3011 (Code II).</p> <p data-bbox="201 842 1015 864">The motor efficiency is classified as IE3 in accordance with IEC 60034-30-1.</p> <p data-bbox="201 871 1433 920">The motor has thermistors (PTC sensors) in the windings in accordance with DIN 44081/DIN 44082. The protection reacts to both slow- and quick-rising temperatures, e.g. constant overload and stalled conditions.</p> <p data-bbox="201 929 1422 1005">Thermal switches must be connected to an external control circuit in a way which ensures that the automatic reset cannot cause accidents. The motors must be connected to a motor-protective circuit breaker according to local regulations.</p> <p data-bbox="201 1014 1406 1064">The motor can be connected to a variable speed drive for adjustment of pump performance to any duty point. Grundfos CUE offers a range of variable speed drives. Please find more information in Grundfos Product Center.</p> <p data-bbox="201 1102 512 1124">Further product details</p> <p data-bbox="201 1137 1453 1214">Cast-iron parts have an epoxy-based coating made in a cathodic electro-deposition (CED) process. CED is a high-quality dip-painting process where an electrical field around the products ensures deposition of paint particles as a thin, well-controlled layer on the surface.</p> <p data-bbox="201 1283 400 1305">Technical data</p> <p data-bbox="201 1350 300 1373">Controls:</p> <p data-bbox="201 1379 624 1402">Frequency converter: None</p> <p data-bbox="201 1440 276 1462">Liquid:</p> <p data-bbox="201 1469 683 1491">Liquid temperature range: 0 .. 140 °C</p> <p data-bbox="201 1529 316 1552">Technical:</p> <p data-bbox="201 1559 818 1581">Pump speed on which pump data are based: 1460 rpm</p> <p data-bbox="201 1588 663 1610">Rated flow: 151 m³/h</p> <p data-bbox="201 1617 639 1639">Rated head: 25.2 m</p> <p data-bbox="201 1646 655 1668">Actual impeller diameter: 299 mm</p> <p data-bbox="201 1675 632 1697">Code for shaft seal: DAQF</p> <p data-bbox="201 1704 759 1727">Curve tolerance: ISO9906:2012 3B</p> <p data-bbox="201 1776 308 1798">Materials:</p> <p data-bbox="201 1805 810 1890">Pump housing: Ductile iron EN-GJS-400-18-LT ASTM Grade 60-40-18</p> <p data-bbox="201 1897 730 1982">Impeller: Cast iron EN-GJL-200 ASTM class 30</p> <p data-bbox="201 2018 325 2040">Installation:</p> <p data-bbox="201 2047 691 2069">Range of ambient temperature: -20 .. 55 °C</p> <p data-bbox="201 2076 635 2098">Maximum operating pressure: 25 bar</p> |

| Qty. | Description |
|------|--|
| 1 | <p>Max pressure at stated temp: 25 bar / 140 °C Type of connection: DIN Size of connection: DN 100 Pressure rating for connection: PN 25 Port-to-port length: 670 mm Flange size for motor: FF300</p> <p>Electrical data: Motor type: SIEMENS Rated power - P2: 15 kW Mains frequency: 50 Hz Rated voltage: 3 x 380-420D/660-725Y V Rated current: 28.5/16.6 A Starting current: 850-850 % Cos phi - power factor: 0.82 Rated speed: 1475 rpm IE efficiency: IE3 92,1% IE Efficiency class: IE3 Motor efficiency at full load: 92.1-92.1 % Motor efficiency at 3/4 load: 92.3-92.3 % Motor efficiency at 1/2 load: 91.5-91.5 % Number of poles: 4 Enclosure class (IEC 34-5): IP55 Insulation class (IEC 85): F Motor No: 99032114</p> <p>Others: Minimum efficiency index, MEI ≥: 0.69 Net weight: 271 kg Gross weight: 332 kg Shipping volume: 0.937 m³ Country of origin: HU Custom tariff no.: 84137051</p> |

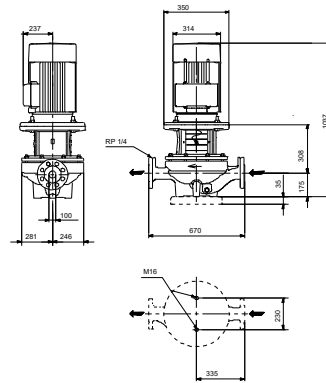
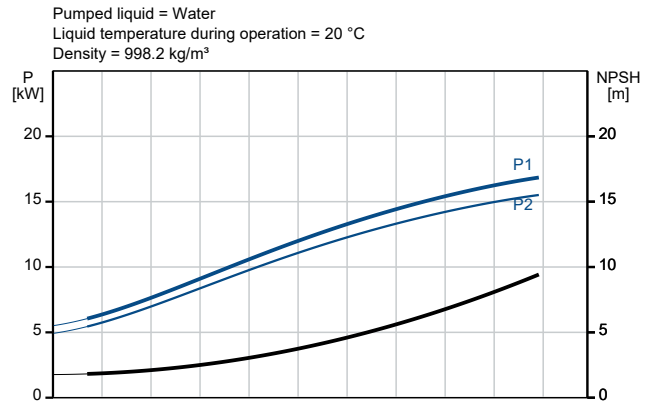
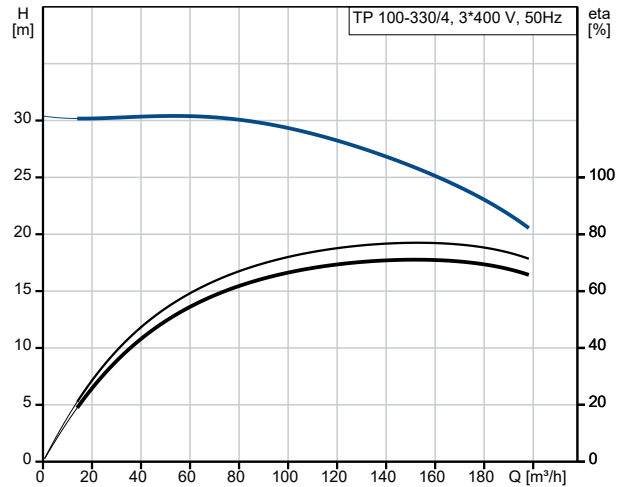
On request TP 100-330/4 A3-F-O-DAQF-OW3 50 Hz



Pumped liquid = Water
Liquid temperature during operation = 20 °C
Density = 998.2 kg/m³



| Description | Value |
|--|---------------------------------|
| General information: | |
| Product name: | TP 100-330/4 A3-F-O-DAQF-OW3 |
| Product No: | On request |
| EAN number: | On request |
| Technical: | |
| Pump speed on which pump data are based: | 1460 rpm |
| Rated flow: | 151 m ³ /h |
| Rated head: | 25.2 m |
| Maximum head: | 330 dm |
| Actual impeller diameter: | 299 mm |
| Code for shaft seal: | DAQF |
| Curve tolerance: | ISO9906:2012 3B |
| Pump version: | A3 |
| Materials: | |
| Pump housing: | Ductile iron |
| Pump housing: | EN-GJS-400-18-LT |
| Pump housing: | ASTM Grade 60-40-18 |
| Impeller: | Cast iron |
| Impeller: | EN-GJL-200 |
| Impeller: | ASTM class 30 |
| Material code: | O |
| Installation: | |
| Range of ambient temperature: | -20 .. 55 °C |
| Maximum operating pressure: | 25 bar |
| Max pressure at stated temp: | 25 bar / 140 °C |
| Type of connection: | DIN |
| Size of connection: | DN 100 |
| Pressure rating for connection: | PN 25 |
| Port-to-port length: | 670 mm |
| Flange size for motor: | FF300 |
| Connect code: | F |
| Liquid: | |
| Liquid temperature range: | 0 .. 140 °C |
| Electrical data: | |
| Motor type: | SIEMENS |
| Rated power - P2: | 15 kW |
| Mains frequency: | 50 Hz |
| Rated voltage: | 3 x 380-420D/660-725Y V |
| Rated current: | 28.5/16.6 A |
| Starting current: | 850-850 % |
| Cos phi - power factor: | 0.82 |
| Rated speed: | 1475 rpm |
| IE efficiency: | IE3 92,1% |
| IE Efficiency class: | IE3 |
| Motor efficiency at full load: | 92.1-92.1 % |
| Motor efficiency at 3/4 load: | 92.3-92.3 % |
| Motor efficiency at 1/2 load: | 91.5-91.5 % |
| Number of poles: | 4 |
| Enclosure class (IEC 34-5): | IP55 |
| Insulation class (IEC 85): | F |
| Built-in motor protection: | PTC |
| Motor No: | 99032114 |
| Controls: | |
| Frequency converter: | None |
| Others: | |
| Minimum efficiency index, MEI ≥: | 0.69 |





Company name:

Created by:

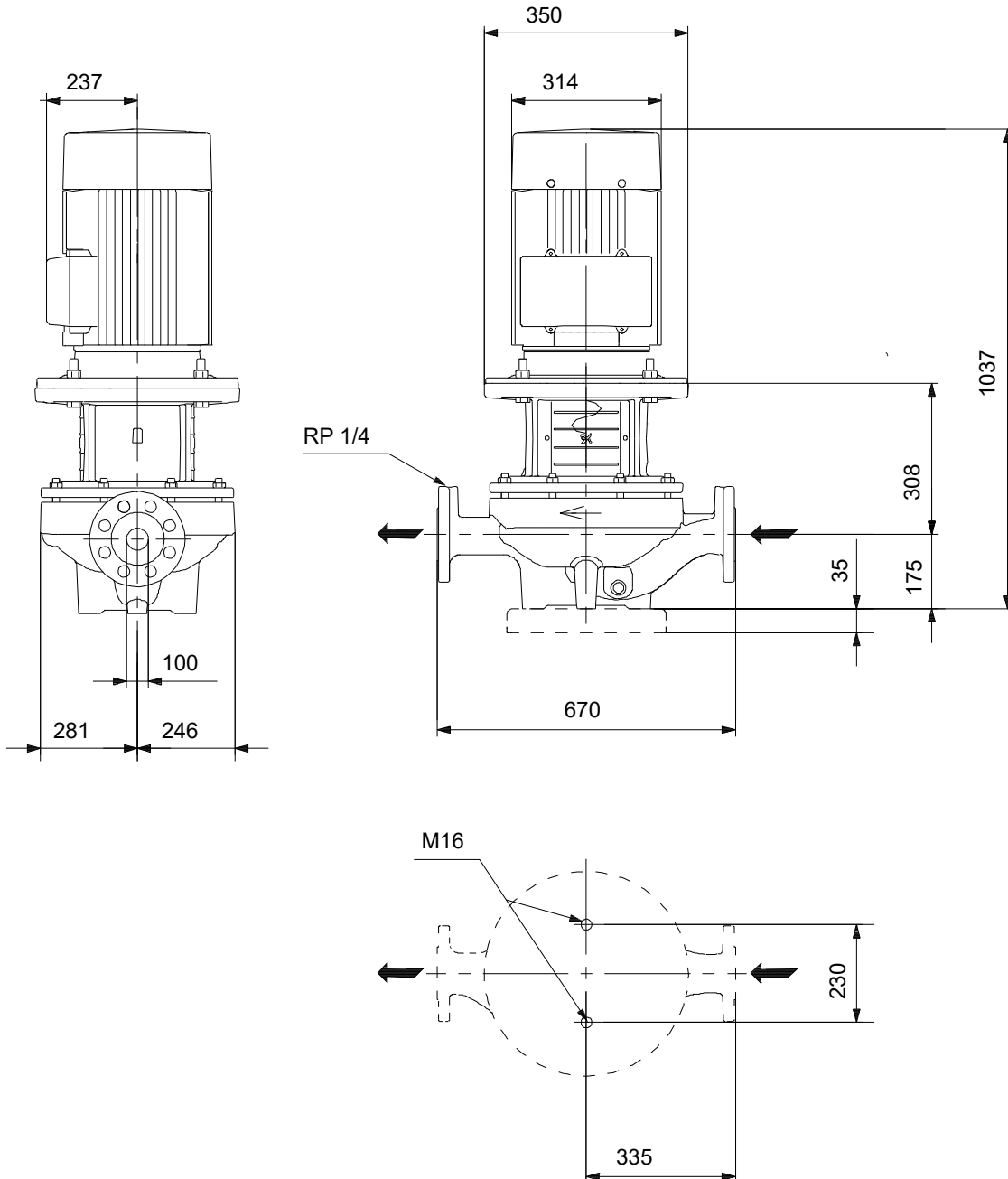
Phone:

Date:

02/12/2023

| Description | Value |
|--------------------|----------------------|
| Net weight: | 271 kg |
| Gross weight: | 332 kg |
| Shipping volume: | 0.937 m ³ |
| Country of origin: | HU |
| Custom tariff no.: | 84137051 |

On request TP 100-330/4 A3-F-O-DAQF-OW3 50 Hz



Note! All units are in [mm] unless others are stated.
Disclaimer: This simplified dimensional drawing does not show all details.

On request TP 100-330/4 A3-F-O-DAQF-OW3 50 Hz



Note! All units are in [mm] unless others are stated.

