

# Submittal Data

PROJECT:	UNIT TAG:	QUANTITY:
REPRESENTATIVE: _____	TYPE OF SERVICE:	DATE: _____
ENGINEER:	SUBMITTED BY:	DATE:
CONTRACTOR:	APPROVED BY:	DATE:
	ORDER NO.:	DATE:

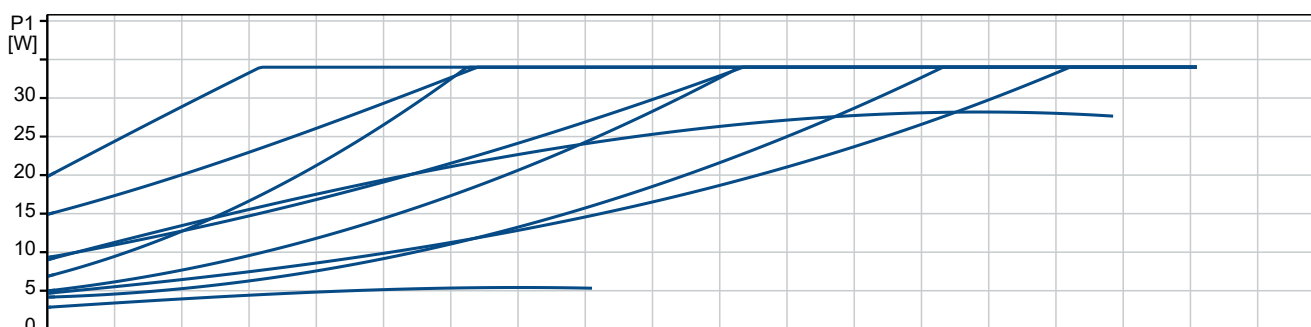
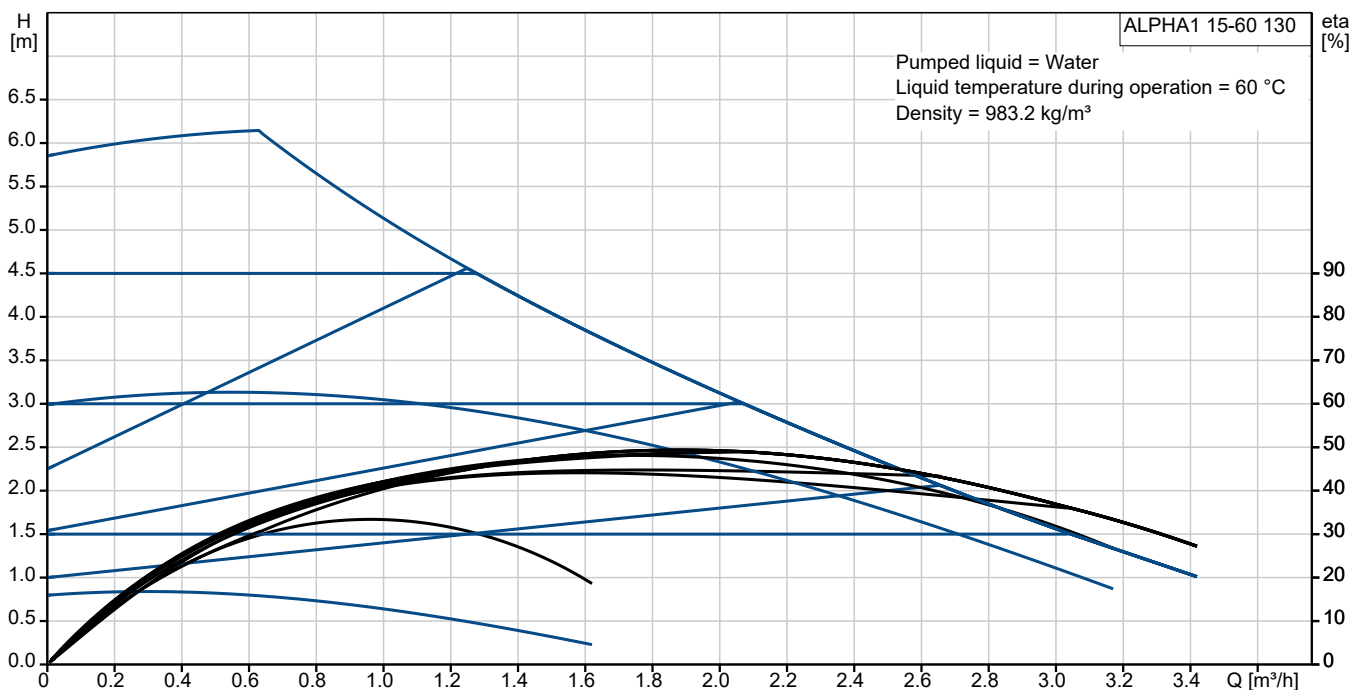
## ALPHA1 15-60 130



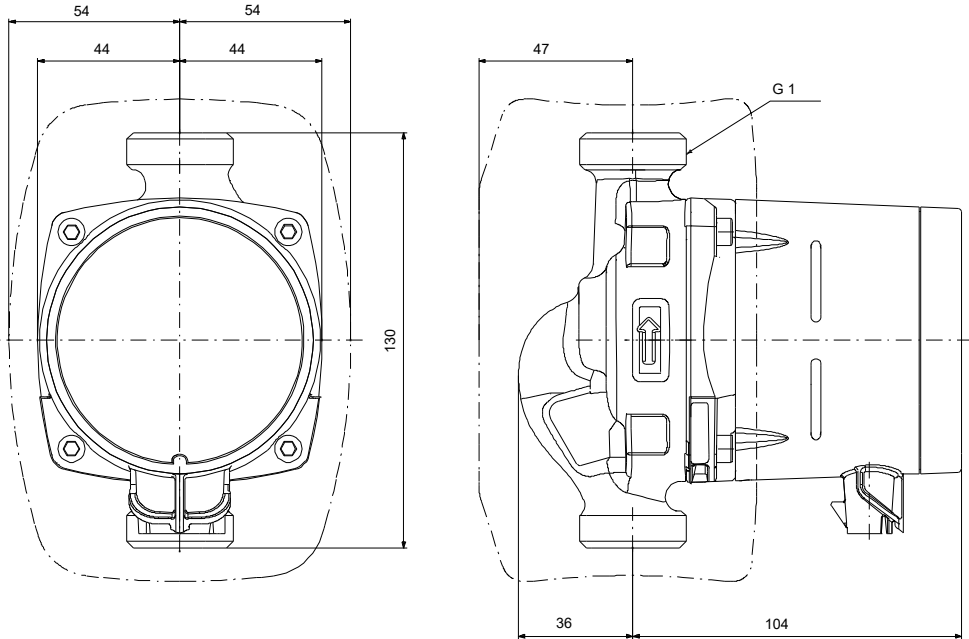
ALPHA1 is a circulator pump designed for heating systems. The pump has integrated differential-pressure control as well as constant-curve mode. The ideal choice for basic functionality needs.

Note! Product picture may differ from actual product

Conditions of Service		Pump Data		Motor Data	
Liquid:	Water	Liquid temperature range:	2 .. 110 °C	Mains frequency:	50 / 60 Hz
Temperature:	60 °C	Maximum ambient temperature:	40 °C	Enclosure class:	X4D
Specific Gravity:	0.985	Product number:	On request	Thermal protection:	ELEC



# Submittal Data



**Materials:**  
Pump housing: Cast iron  
Pump housing: ASTM A48M-150B  
Impeller: Composite

**Qty. Description**

1 ALPHA1 15-60 130



**Note! Product picture may differ from actual product**

Product No.: On request

High-efficiency circulators, designed for circulating liquids in heating systems. With an energy efficiency index (EEI) at the ErP benchmark for most efficient circulators it contributes to energy savings.

The ideal choice for basic functionality needs.

**Features**

- Intuitive one-button operation makes selection of any control mode simple
- No external motor protection required reducing installation time
- High-torque start improves startup under harsh conditions
- Maintenance free and noiseless due to canned-rotor design and use of robust components
- ALPHA plug makes electrical installation quick, safe and easy
- Insulating shells are supplied with pumps to minimize heat loss in heating systems

The pump also features three control modes - each with three settings

- proportional-pressure control
- constant-pressure control
- constant-curve mode

The display shows the actual power consumption in Watts. LEDs indicate the actual operating status.

The pump has a ceramic shaft and radial bearings, carbon thrust bearing, stainless-steel rotor can, bearing plate and rotor cladding, composite impeller, all of which contribute to long life.

The pump is self-venting through the system, which contributes to easy commissioning. The compact design featuring pump head with integrated control box and control panel fits into most common installations.

The pump housing is made of cast iron and electrocoated to improve the corrosion resistance.

The motor is a synchronous permanent-magnet/compact-stator motor characterized by high efficiency.

The pump speed is controlled by an integrated frequency converter incorporated in the control box.

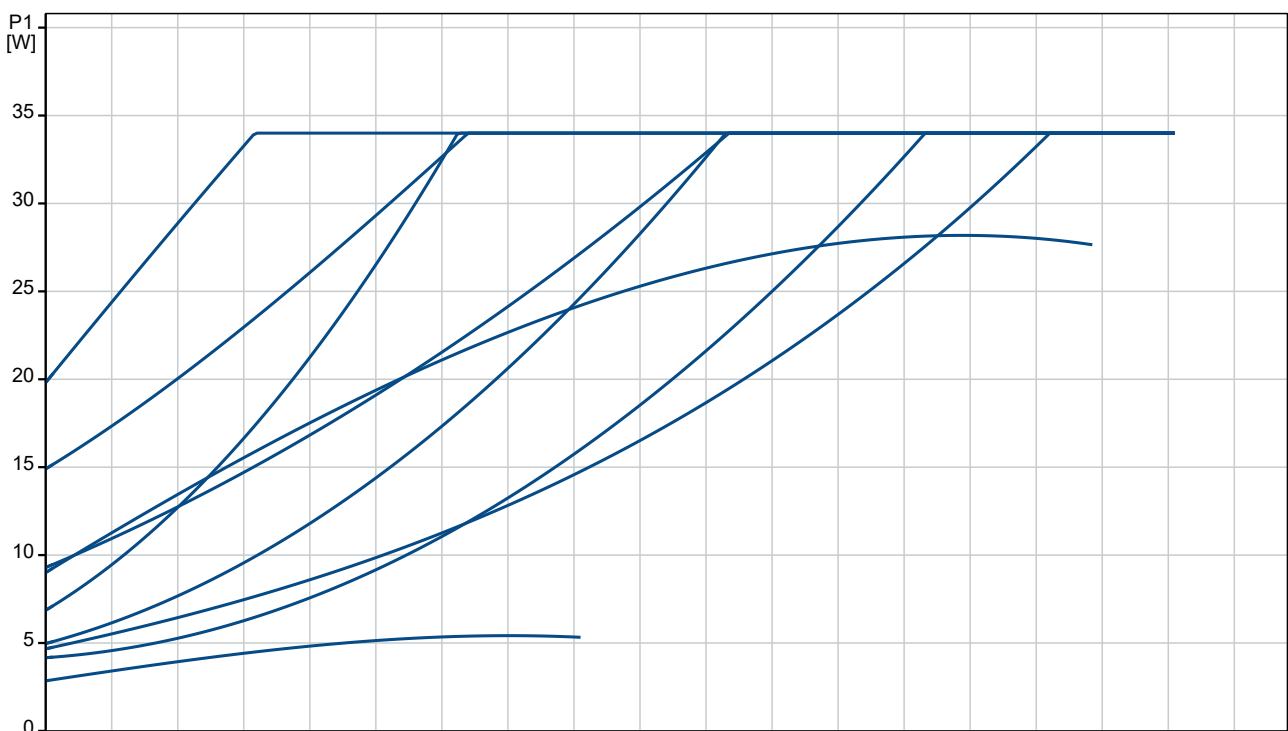
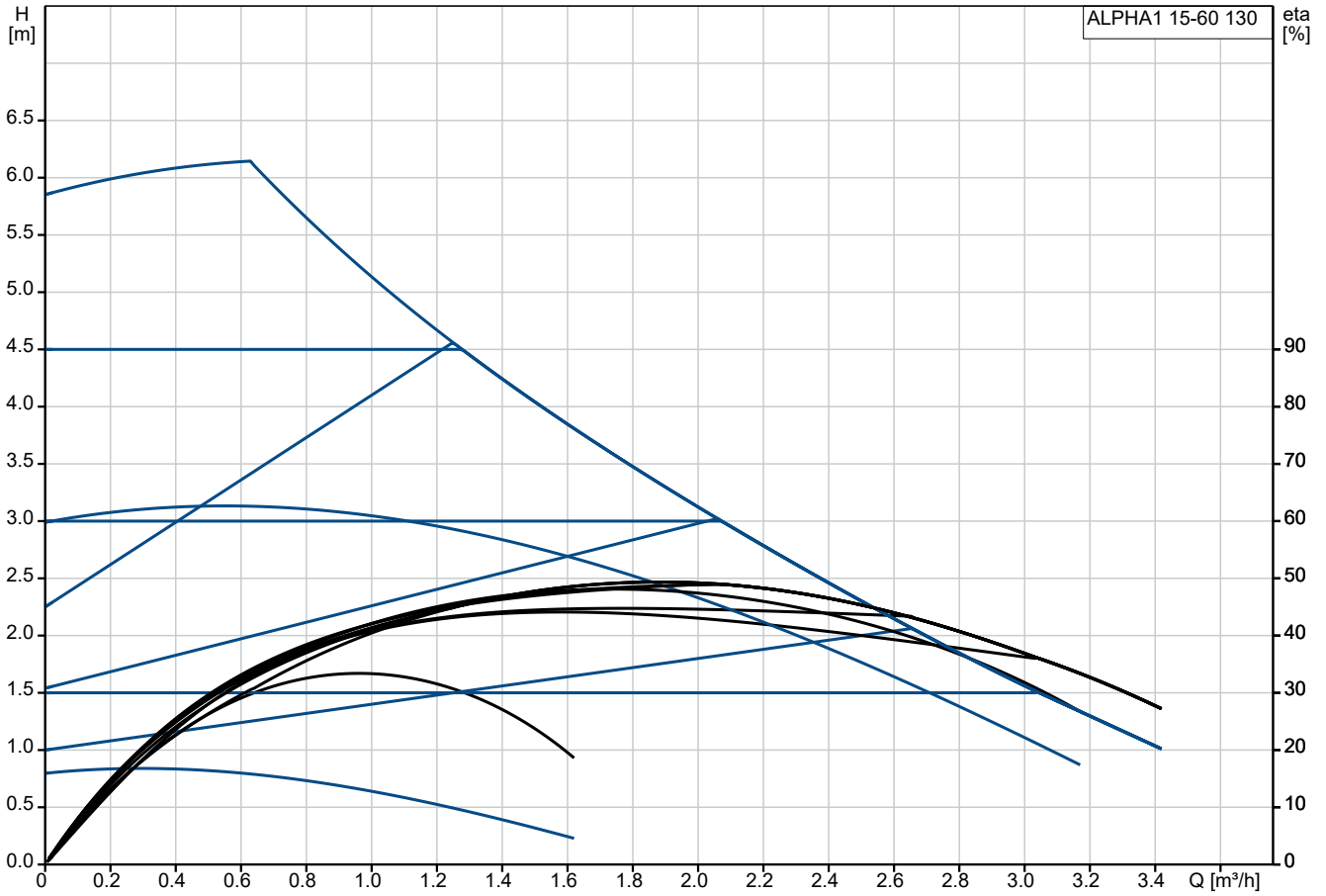
Liquid:  
 Pumped liquid: Water  
 Liquid temperature range: 2 .. 110 °C  
 Selected liquid temperature: 60 °C  
 Density: 983.2 kg/m<sup>3</sup>

Technical:

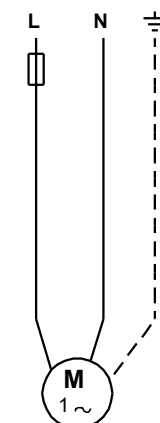
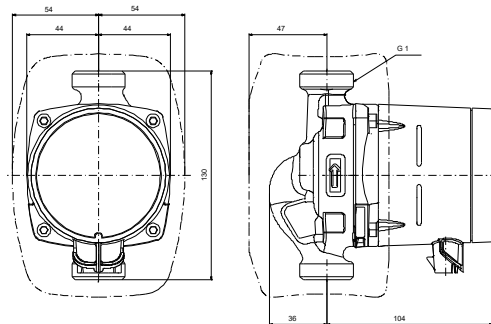
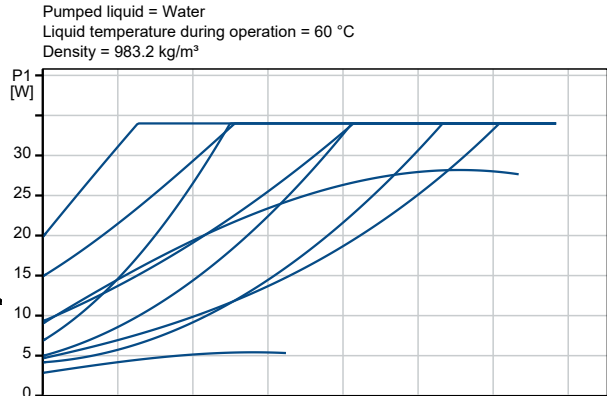
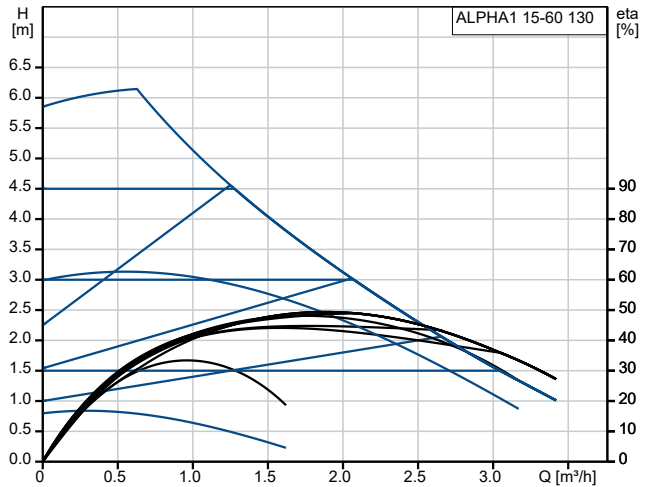
**Qty. Description**

1	<p>Rated flow: 1.94 m<sup>3</sup>/h          Rated head: 2.05 m          TF class: 110          Approvals: CE,VDE</p> <p>Materials:          Pump housing: Cast iron          EN 1561 EN-GJL-150          ASTM A48M-150B</p> <p>Impeller: Composite          PES 30% GF + PESU-GF20%</p> <p>Installation:          Range of ambient temperature: 0 .. 40 °C          Maximum operating pressure: 10 bar          Type of connection: G          Size of connection: 1 inch          Pressure rating for connection: PN 10          Port-to-port length: 130 mm</p> <p>Electrical data:          Minimum power input - P1: 3 W          Power input P1: 34 W          Mains frequency: 50 / 60 Hz          Rated voltage: 1 x 230 V          Maximum current consumption: 0.04 .. 0.32 A          Enclosure class (IEC 34-5): X4D          Insulation class (IEC 85): F          Built-in motor protection: NONE</p> <p>Others:          Energy (EEI): 0.20          Terminal box position: 6H          Net weight: 1.76 kg          Gross weight: 1.92 kg          Shipping volume: 0.004 m<sup>3</sup>          Country of origin: DK          Custom tariff no.: 84137030</p>
---	---

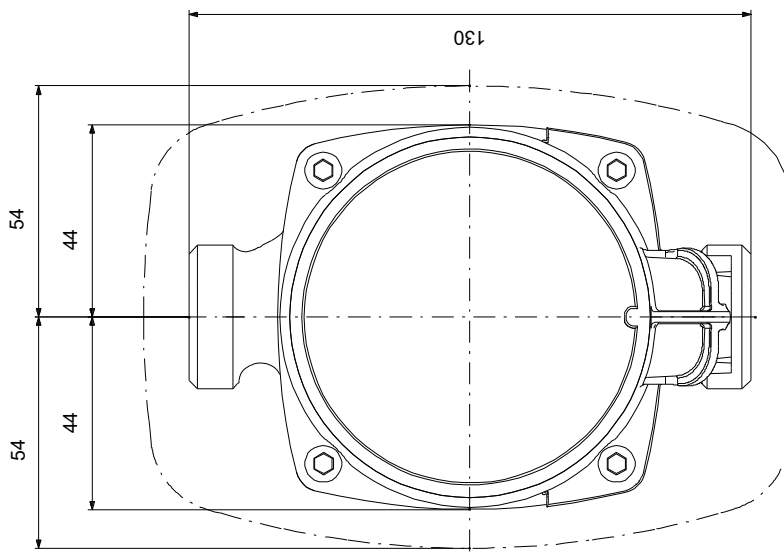
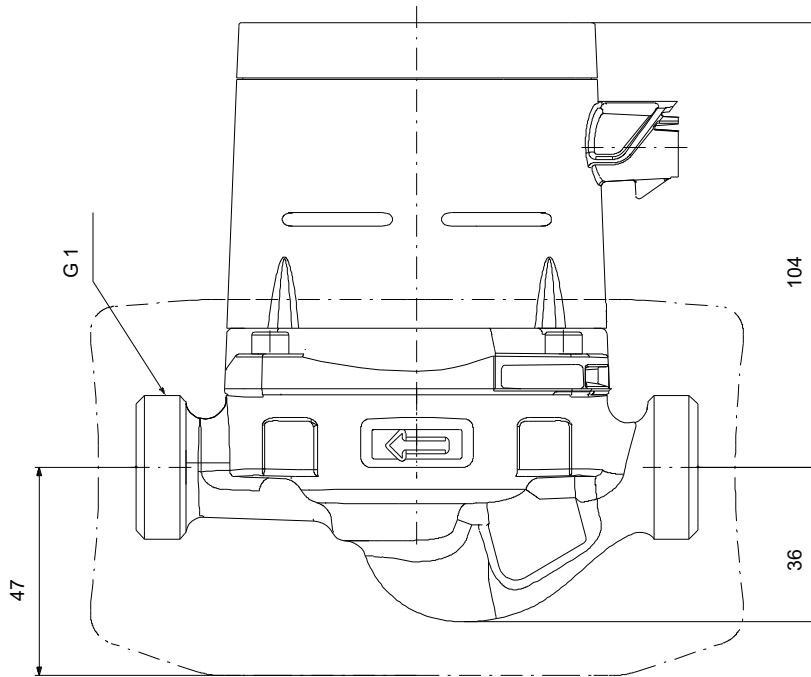
## On request ALPHA1 15-60 130



Description	Value
<b>General information:</b>	
Product name:	ALPHA1 15-60 130
Product No:	On request
EAN number:	On request
<b>Technical:</b>	
Rated flow:	1.94 m <sup>3</sup> /h
Rated head:	2.05 m
Maximum head:	60 dm
TF class:	110
Approvals:	CE,VDE
Model:	B
<b>Materials:</b>	
Pump housing:	Cast iron
Pump housing:	EN 1561 EN-GJL-150
Pump housing:	ASTM A48M-150B
Impeller:	Composite
Impeller:	PES 30% GF + PESU-GF20%
<b>Installation:</b>	
Range of ambient temperature:	0 .. 40 °C
Maximum operating pressure:	10 bar
Type of connection:	G
Size of connection:	1 inch
Pressure rating for connection:	PN 10
Port-to-port length:	130 mm
<b>Liquid:</b>	
Pumped liquid:	Water
Liquid temperature range:	2 .. 110 °C
Selected liquid temperature:	60 °C
Density:	983.2 kg/m <sup>3</sup>
<b>Electrical data:</b>	
Minimum power input - P1:	3 W
Power input P1:	34 W
Mains frequency:	50 / 60 Hz
Rated voltage:	1 x 230 V
Maximum current consumption:	0.04 .. 0.32 A
Enclosure class (IEC 34-5):	X4D
Insulation class (IEC 85):	F
Built-in motor protection:	NONE
Thermal protec:	ELEC
<b>Controls:</b>	
Aut. night:	N
<b>Others:</b>	
Energy (EEI):	0.20
Terminal box position:	6H
Net weight:	1.76 kg
Gross weight:	1.92 kg
Shipping volume:	0.004 m <sup>3</sup>
Sales region:	D-A-CH
Country of origin:	DK
Custom tariff no.:	84137030



## On request ALPHA1 15-60 130



Note! All units are in [mm] unless others are stated.  
Disclaimer: This simplified dimensional drawing does not show all details.

On request ALPHA1 15-60 130



Note! All units are in [mm] unless others are stated.

