

# Submittal Data

|                       |                  |             |
|-----------------------|------------------|-------------|
| PROJECT:              | UNIT TAG:        | QUANTITY:   |
| REPRESENTATIVE: _____ | TYPE OF SERVICE: | DATE: _____ |
| ENGINEER:             | SUBMITTED BY:    | DATE:       |
| CONTRACTOR:           | APPROVED BY:     | DATE:       |
|                       | ORDER NO.:       | DATE:       |

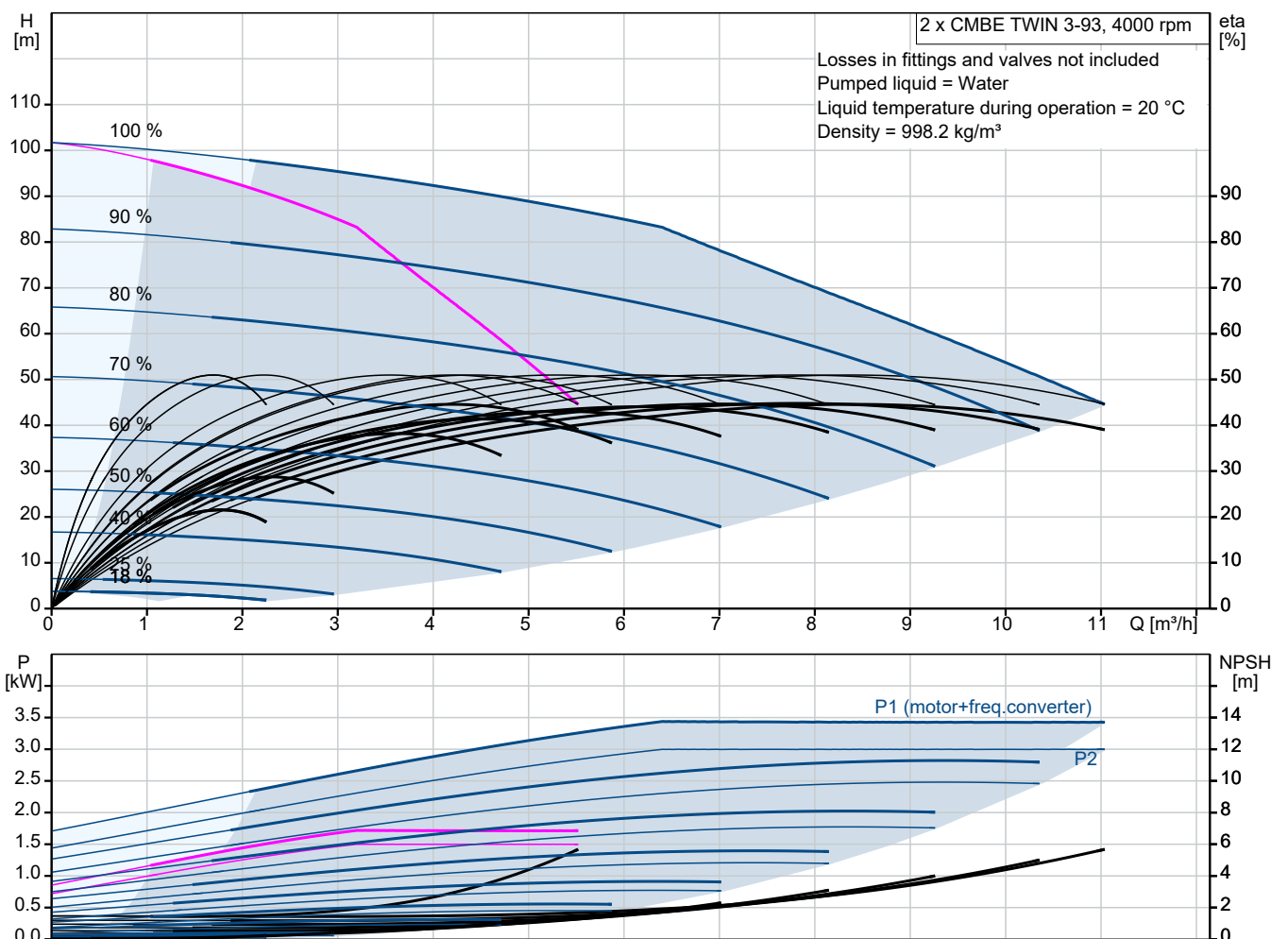


## CMBE TWIN 3-93 I-U-C-C-D-A

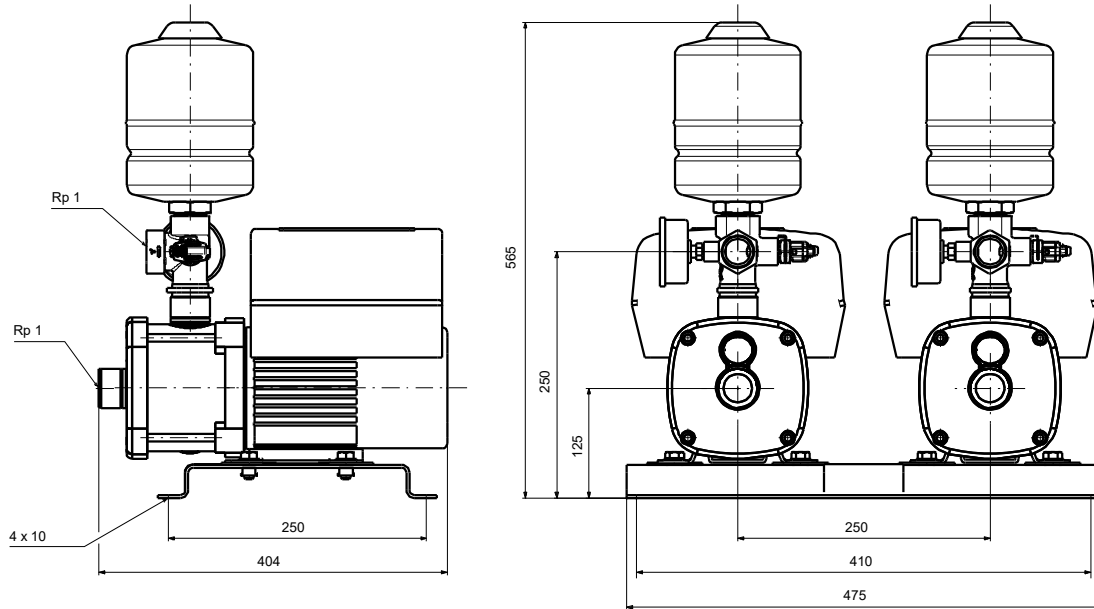
CMBE TWIN is a high-efficiency booster system consisting of two Grundfos CMBE boosters connected in parallel, suitable for clean water supply and pressure boosting in domestic and commercial applications.

Note! Product picture may differ from actual product

| Conditions of Service |       | Pump Data                    |            | Motor Data       |       |
|-----------------------|-------|------------------------------|------------|------------------|-------|
| Liquid:               | Water | Liquid temperature range:    | 0 .. 60 °C | Mains frequency: | 50 Hz |
| Temperature:          | 20 °C | Maximum ambient temperature: | 55 °C      | Enclosure class: | IP55  |
| Specific Gravity:     | 1.000 | Shaft seal:                  | AVBE       |                  |       |
|                       |       | Product number:              | On request |                  |       |



# Submittal Data



## Materials:

Pump housing: Stainless steel  
Pump housing: AISI 304  
Impeller: Stainless steel  
Impeller: EN 1.4301  
Impeller: AISI 304  
Code for rubber: EPDM

Qty. Description

1 The Grundfos CMBE TWIN booster is a compact two-booster system for water supply in domestic and commercial applications.



Note! Product picture may differ from actual product

Product No.: On request

The integrated speed controller allows the CMBE TWIN booster to maintain constant pressure in the pipe system.

The CMBE TWIN booster offers parallel operation via cascade multipump operation. This feature ensures that the performance of the CMBE TWIN booster is automatically adapted to the consumption by switching pumps on or off and by changing the speed of the pumps in operation.

A pressure sensor monitoring changes in the water consumption signals the speed controller to change the motor speed. The system therefore runs as energy-efficiently as possible with the number of pumps required. The CMBE TWIN booster is very easy to install, and it is UL approved.

The CMBE TWIN booster consists of 2 units of CMBE booster which each include the following:

- five-way valve
- expansion tank
- pressure gauge
- pressure sensor
- a base frame
- a twin communication cable

The Grundfos CMBE TWIN booster requires no external motor protection.

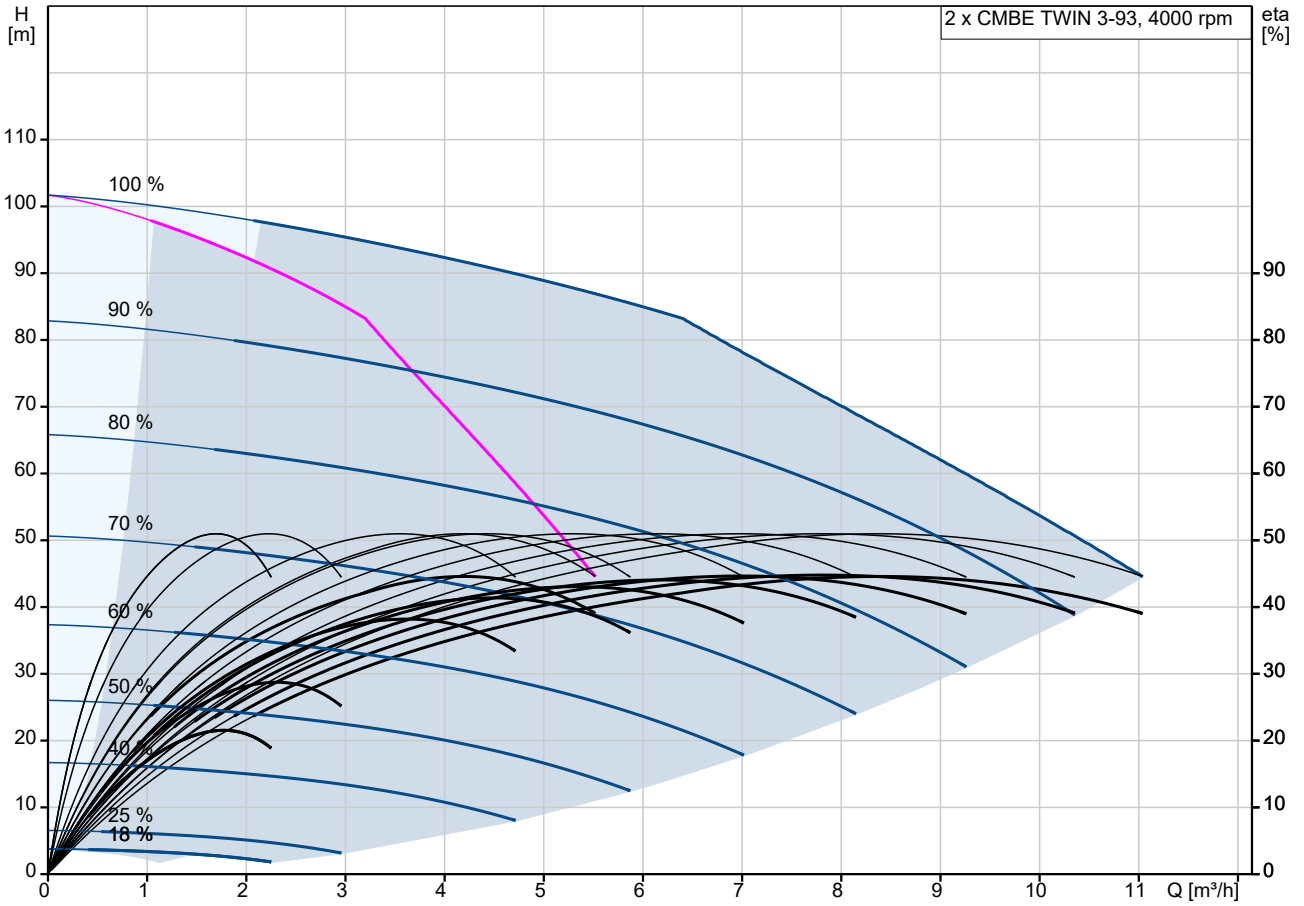
The MGE motors incorporates thermal protection against slow overloading and blocking (TP 211 according to IEC 34-11).

The Grundfos CMBE TWIN booster is mainly used for domestic and light commercial water supply or booster systems.

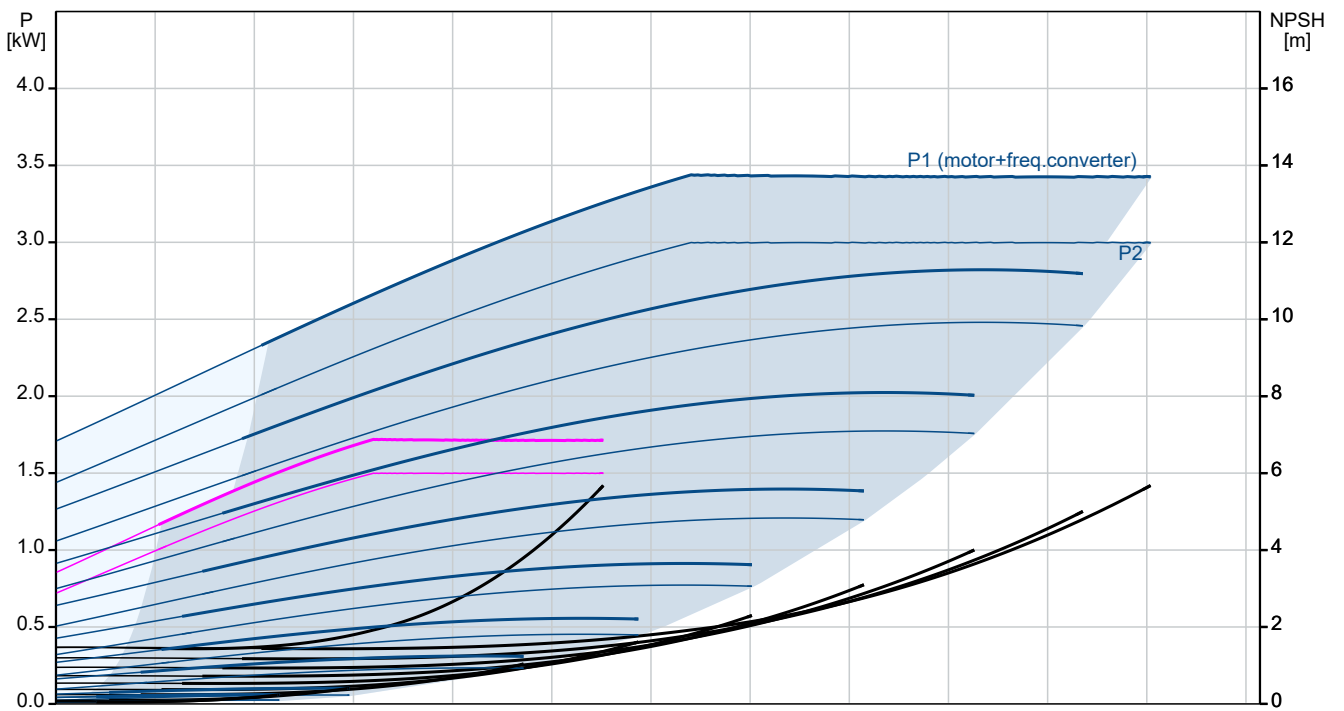
NB:

Suction lift: maximum 1 m, including inlet pipe pressure loss at a liquid temperature of 20 °C (not self-priming).

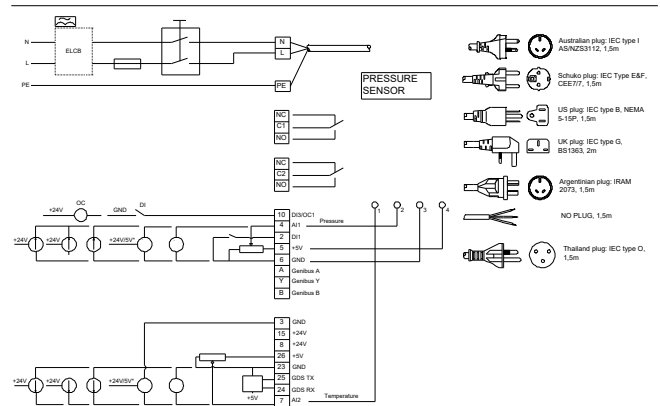
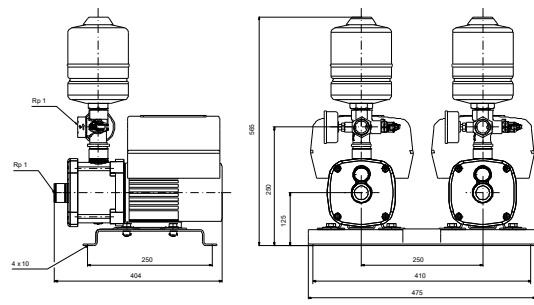
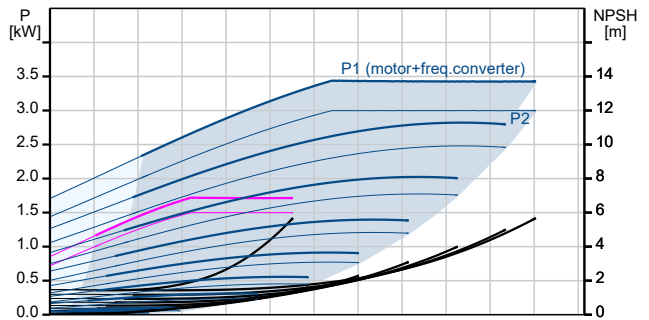
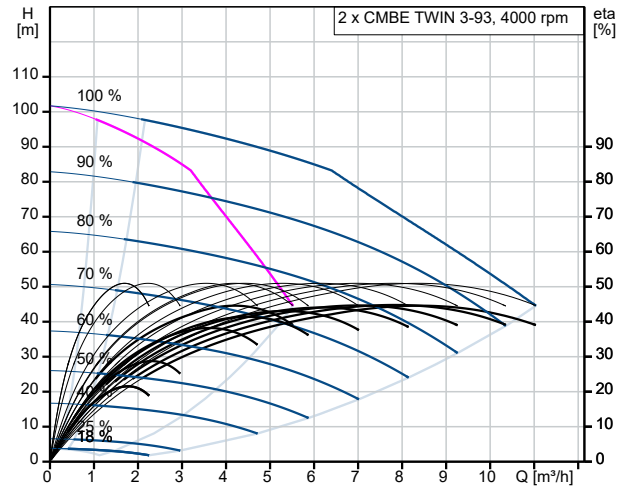
## On request CMBE TWIN 3-93 I-U-C-C-D-A 50 Hz



Losses in fittings and valves not included  
Pumped liquid = Water  
Liquid temperature during operation = 20 °C  
Density = 998.2 kg/m³



| Description                              | Value                            |
|--|----------------------------------|
| <b>General information:</b>              |                                  |
| Product name:                            | CMBE TWIN 3-93 I-U-C-C-D-A       |
| Product No:                              | On request                       |
| EAN number:                              | On request                       |
| <b>Technical:</b>                        |                                  |
| Pump speed on which pump data are based: | 3868 rpm                         |
| Rated flow:                              | 4.2 m³/h                         |
| Rated head:                              | 66.3 m                           |
| Impellers:                               | 6                                |
| Code for shaft seal:                     | AVBE                             |
| Approvals:                               | CE, EAC, CN ROHS EX, SEPRO, MORO |
| Approvals for drinking water:            | UBA                              |
| Curve tolerance:                         | ISO9906:2012 3B                  |
| Number of pumps:                         | 2                                |
| Model:                                   | A                                |
| Start pressure:                          | Integrated Frequency converter   |
| Tank volume:                             | 4 l                              |
| Main pump type:                          | CMBE TWIN                        |
| Main pump product number:                | 98880399                         |
| <b>Materials:</b>                        |                                  |
| Pump housing:                            | Stainless steel                  |
| Pump housing:                            | EN 1.4301                        |
| Pump housing:                            | AISI 304                         |
| Impeller:                                | Stainless steel                  |
| Impeller:                                | EN 1.4301                        |
| Impeller:                                | AISI 304                         |
| Code for rubber:                         | EPDM                             |
| <b>Installation:</b>                     |                                  |
| Maximum ambient temperature:             | 55 °C                            |
| Maximum operating pressure:              | 10 bar                           |
| Pipe connection standard:                | WHITWORTH THREAD RP              |
| Pump inlet:                              | RP 1                             |
| Pump outlet:                             | RP 1                             |
| Pressure rating for connection:          | PN 10                            |
| <b>Liquid:</b>                           |                                  |
| Pumped liquid:                           | Water                            |
| Liquid temperature range:                | 0 .. 60 °C                       |
| Selected liquid temperature:             | 20 °C                            |
| Density:                                 | 998.2 kg/m³                      |
| <b>Electrical data:</b>                  |                                  |
| Rated power - P2:                        | 1.5 kW                           |
| Mains frequency:                         | 50 Hz                            |
| Rated voltage:                           | 1 x 200-240 V                    |
| Maximum current consumption:             | 9.10-7.60 A                      |
| Enclosure class (IEC 34-5):              | IP55                             |
| Insulation class (IEC 85):               | F                                |
| Length of cable:                         | 1.5 m                            |
| Power plug:                              | SCHUKO                           |
| <b>Controls:</b>                         |                                  |
| Type of connector:                       | Type E/F (CEE7/7)                |
| <b>Others:</b>                           |                                  |
| Net weight:                              | 43.1 kg                          |
| Gross weight:                            | 51 kg                            |
| Sales region:                            | Europe                           |
| Config. file no:                         | 99546305                         |





Company name:

Created by:

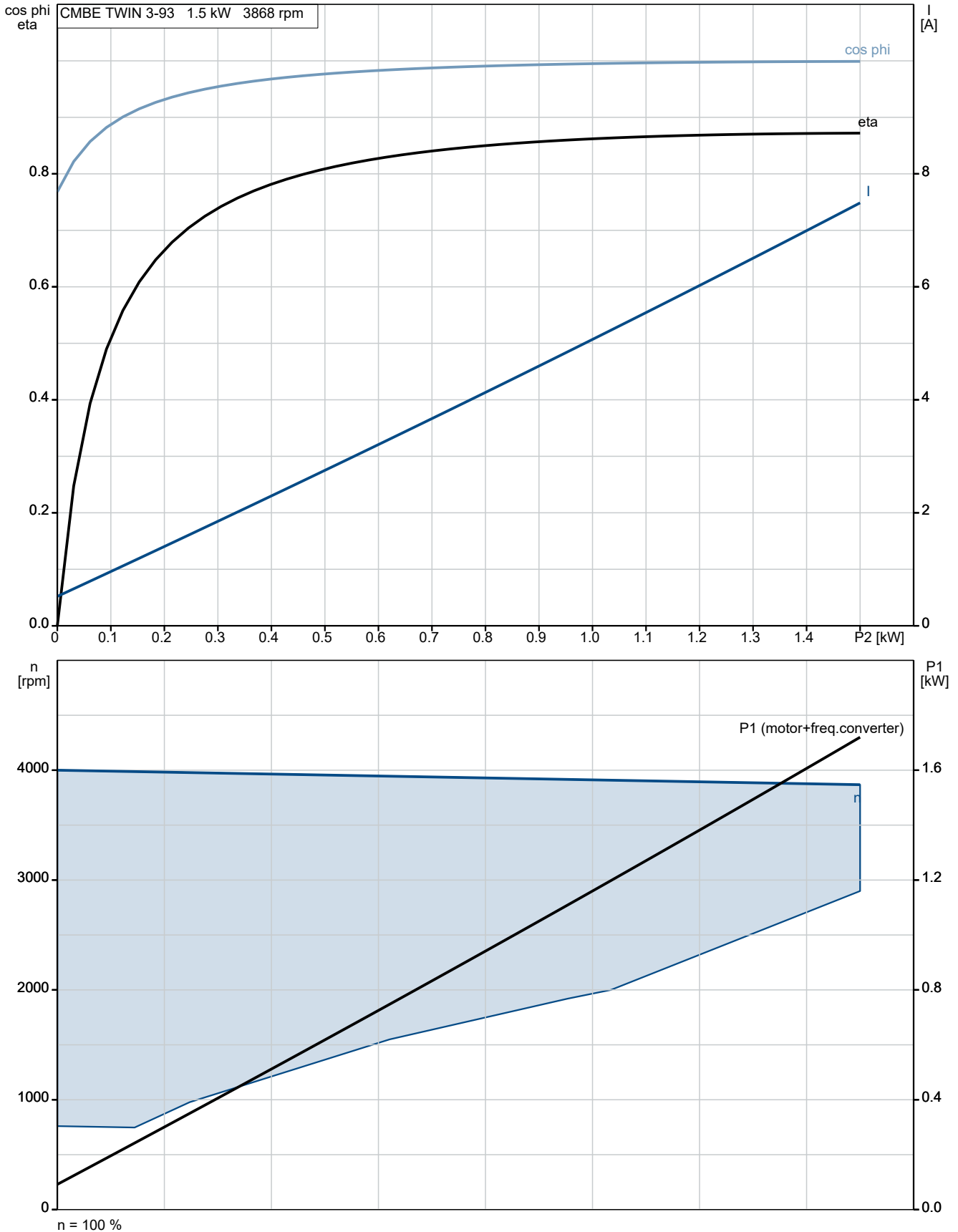
Phone:

Date:

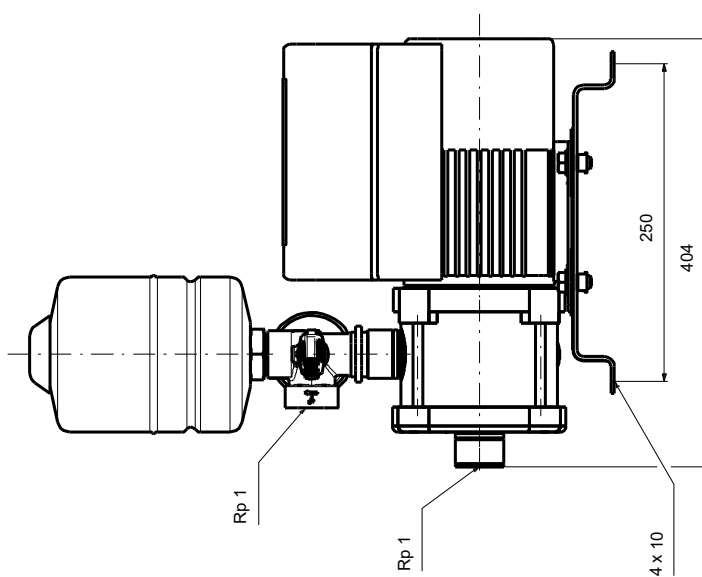
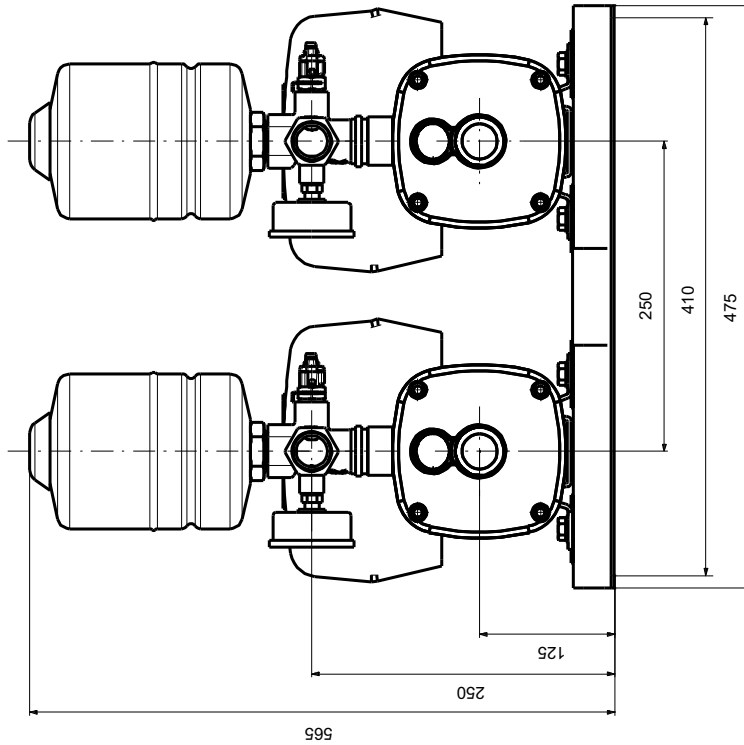
28/11/2023

| Description              | Value     |
|--------------------------|-----------|
| Danish VVS No.:          | 385186393 |
| Country of origin:       | DE        |
| Custom tariff no.:       | 84137075  |
| Environmental approvals: | WEEE      |

## On request CMBE TWIN 3-93 I-U-C-C-D-A 50 Hz

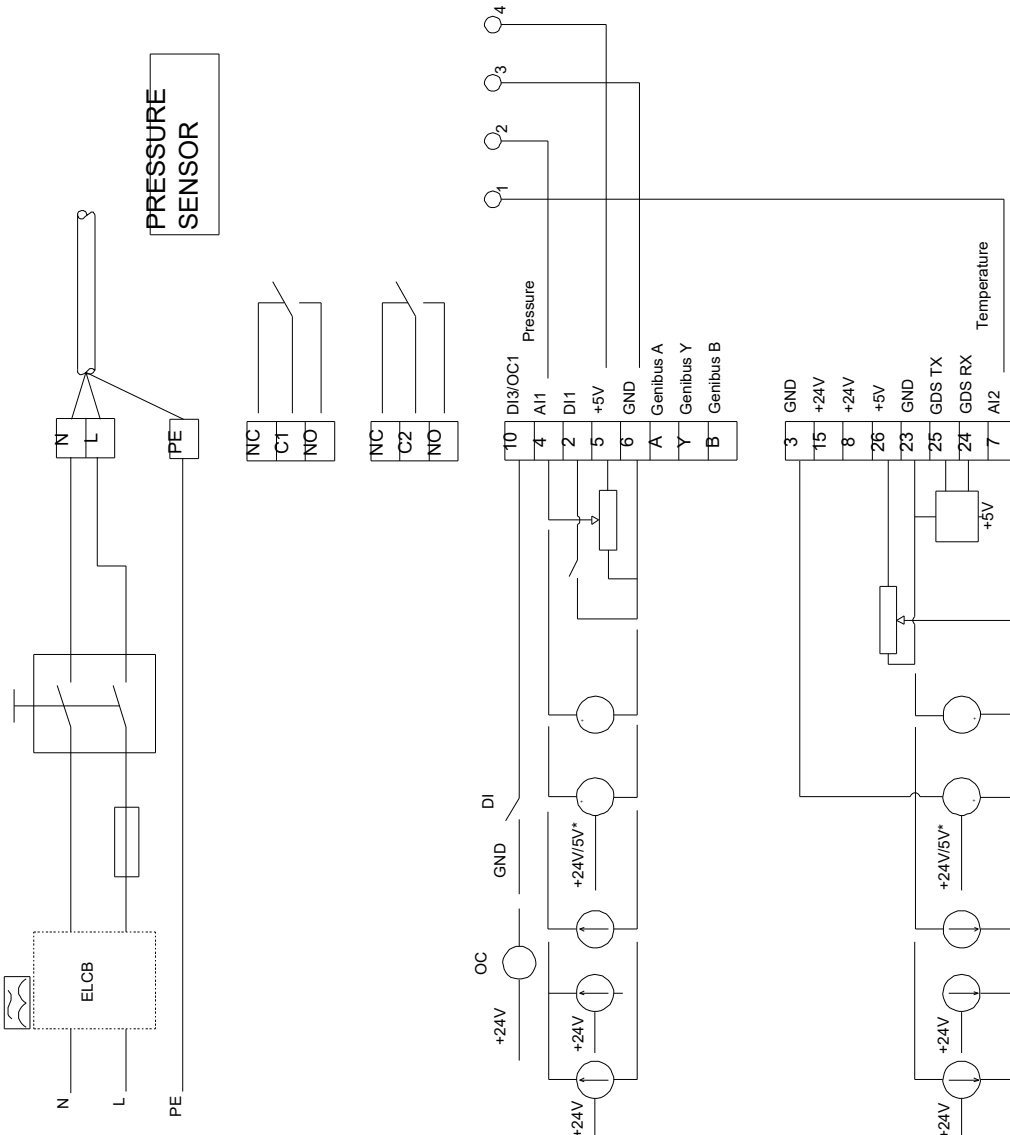
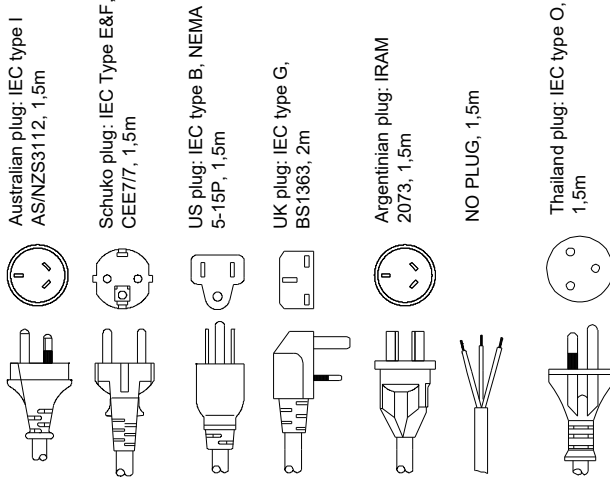


## On request CMBE TWIN 3-93 I-U-C-C-D-A 50 Hz



Note! All units are in [mm] unless others are stated.  
Disclaimer: This simplified dimensional drawing does not show all details.

## On request CMBE TWIN 3-93 I-U-C-C-D-A 50 Hz



Note! All units are in [mm] unless others are stated.

