

# Submittal Data

PROJECT:	UNIT TAG:	QUANTITY:
REPRESENTATIVE: _____	TYPE OF SERVICE:	DATE: _____
ENGINEER:	SUBMITTED BY:	DATE:
CONTRACTOR:	APPROVED BY:	DATE:
	ORDER NO.:	DATE:



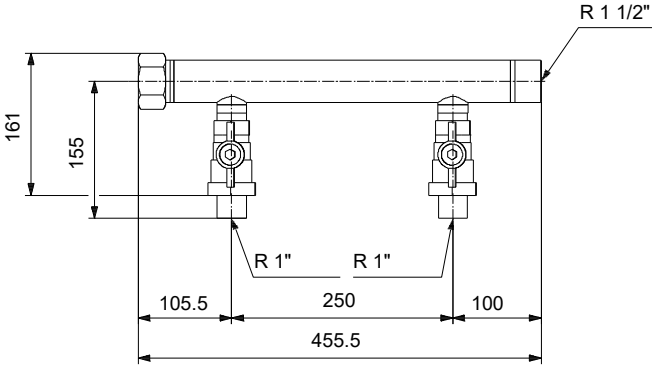
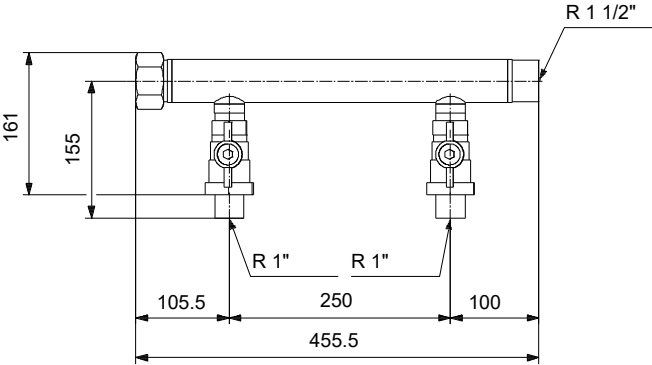
## CMBE Twin manifold set

Accessories for CMB and CMBE pumps.

Note! Product picture may differ from actual product

Conditions of Service	Pump Data	Motor Data
	Product number: On request	

# Submittal Data



**Materials:**

Qty. Description

1 CMBE Twin manifold set



Note! Product picture may differ from actual product

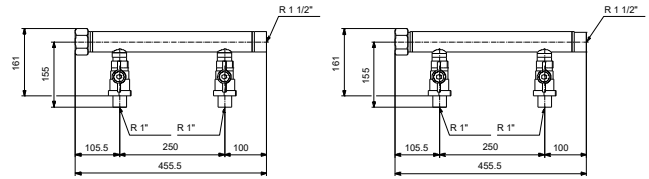
Product No.: On request

The Grundfos CMBE Twin Manifold set is used in order to connect two CMBE pumps in a twin booster system. It includes all the necessary components for twin configuration.

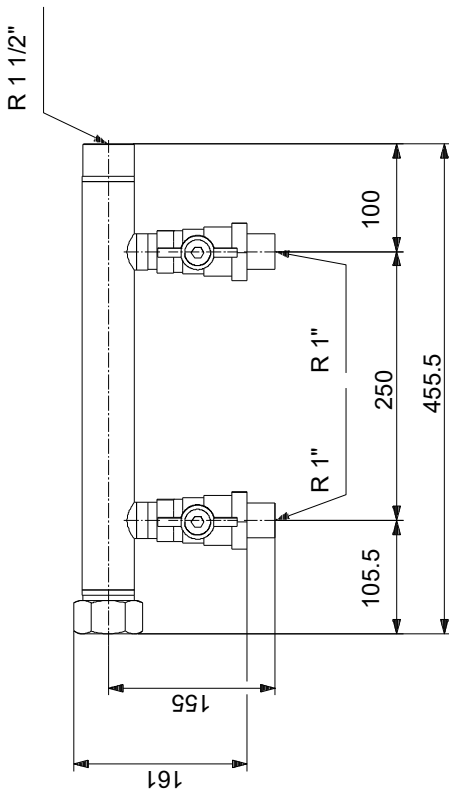
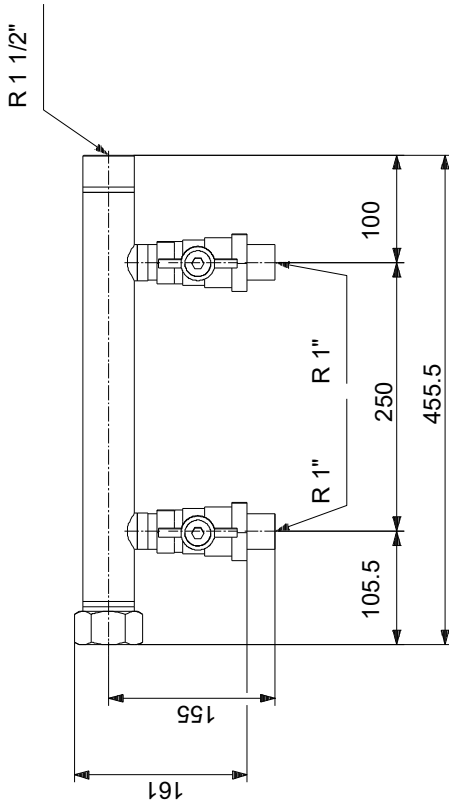
The set includes:

- 2 Manifold WG S/D CMBE Twin DN40 +2x1"
- 4 Ball Valve w. Tail 1"F x 1"M,brass
- 2 Hex CAP 1,5" TYPE 231 DIN 2999
- 1 Vibration damper set

Description	Value
<b>General information:</b>	
Product name:	CMBE Twin manifold set
Product No:	On request
EAN number:	On request
<b>Materials:</b>	
Manifold:	Stainless steel
Manifold:	EN 1.4571
Isolating valve:	Brass
<b>Installation:</b>	
Inlet connection towards system:	R 1 1/2"
Outlet connection towards system:	R 1 1/2"
Inlet connection towards pump:	R 1"
Outlet connection towards pump:	R 1"
<b>Others:</b>	
Net weight:	7.14 kg
Gross weight:	7.77 kg
Shipping volume:	0.028 m <sup>3</sup>
Fits to following products:	CMBE TWIN
Danish VVS No.:	385186908
Country of origin:	DE
Custom tariff no.:	73072980



## On request CMBE Twin manifold set



Note! All units are in [mm] unless others are stated.  
Disclaimer: This simplified dimensional drawing does not show all details.

