

Submittal Data

PROJECT:	UNIT TAG:	QUANTITY:
REPRESENTATIVE: _____	TYPE OF SERVICE:	DATE: _____
ENGINEER:	SUBMITTED BY:	DATE:
CONTRACTOR:	APPROVED BY:	DATE:
	ORDER NO.:	DATE:



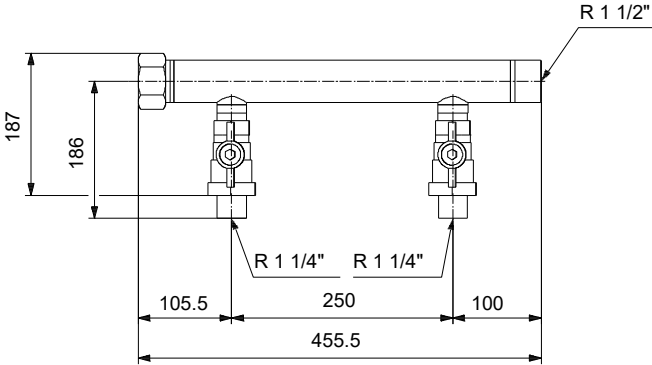
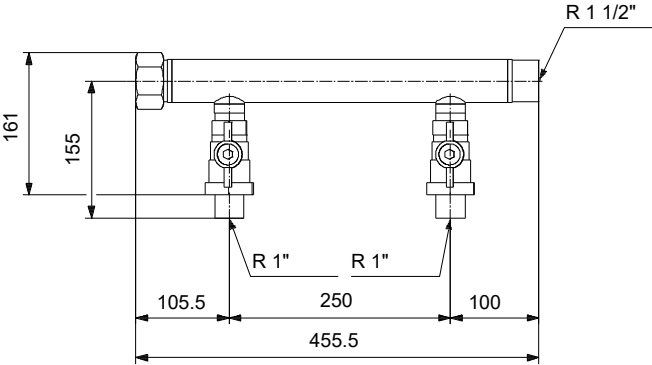
CMBE Twin manifold set

Accessories for CMB and CMBE pumps.

Note! Product picture may differ from actual product

Conditions of Service	Pump Data	Motor Data
	Product number: On request	

Submittal Data



Materials:

Qty. Description

1 CMBE Twin manifold set



Note! Product picture may differ from actual product

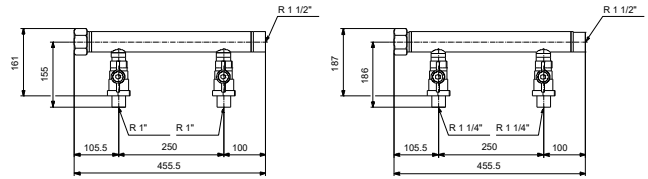
Product No.: On request

The Grundfos CMBE Twin Manifold set is used in order to connect two CMBE pumps in a twin booster system. It includes all the necessary components for twin configuration.

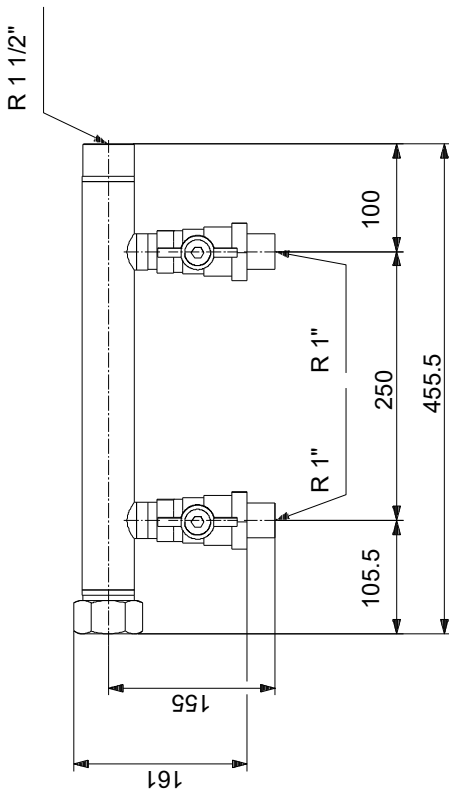
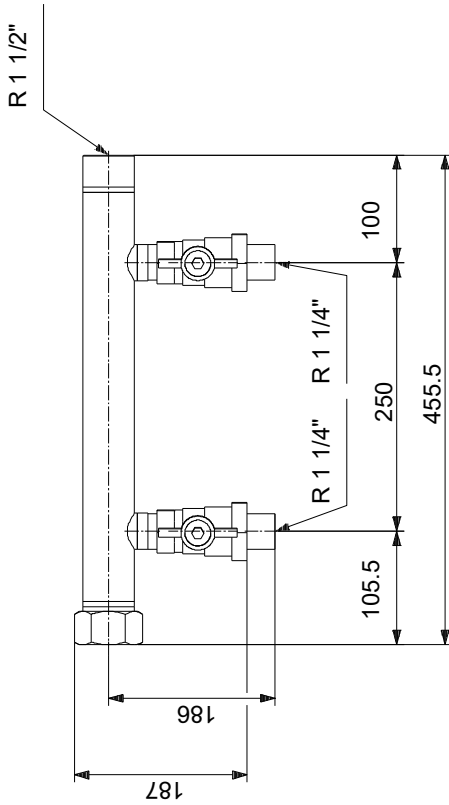
The set includes:

- 1 Manifold WG S/D CMBE Twin DN40 +2x1 1/4"
- 1 Manifold WG S/D CMBE Twin DN40 +2x1"
- 2 Ball Valve with tail 1"F x 1"M,brass
- 2 Ball Valve with tail 1"1/4F x 1"1/4M, brass
- 2 Hex CAP 1,5" TYPE 231 DIN 2999
- 1 Vibration damper set

Description	Value
General information:	
Product name:	CMBE Twin manifold set
Product No:	On request
EAN number:	On request
Materials:	
Manifold:	Stainless steel
Manifold:	EN 1.4571
Isolating valve:	Brass
Installation:	
Inlet connection towards system:	R 1 1/2"
Outlet connection towards system:	R 1 1/2"
Inlet connection towards pump:	R 1 1/4"
Outlet connection towards pump:	R 1"
Others:	
Net weight:	8.33 kg
Gross weight:	8.95 kg
Shipping volume:	0.028 m ³
Fits to following products:	CMBE TWIN
Danish VVS No.:	385186909
Country of origin:	DE
Custom tariff no.:	73072980



On request CMBE Twin manifold set



Note! All units are in [mm] unless others are stated.
Disclaimer: This simplified dimensional drawing does not show all details.

