

Submittal Data

PROJECT:	UNIT TAG:	QUANTITY:
REPRESENTATIVE: _____	TYPE OF SERVICE:	DATE: _____
ENGINEER:	SUBMITTED BY:	DATE:
CONTRACTOR:	APPROVED BY:	DATE:
	ORDER NO.:	DATE:

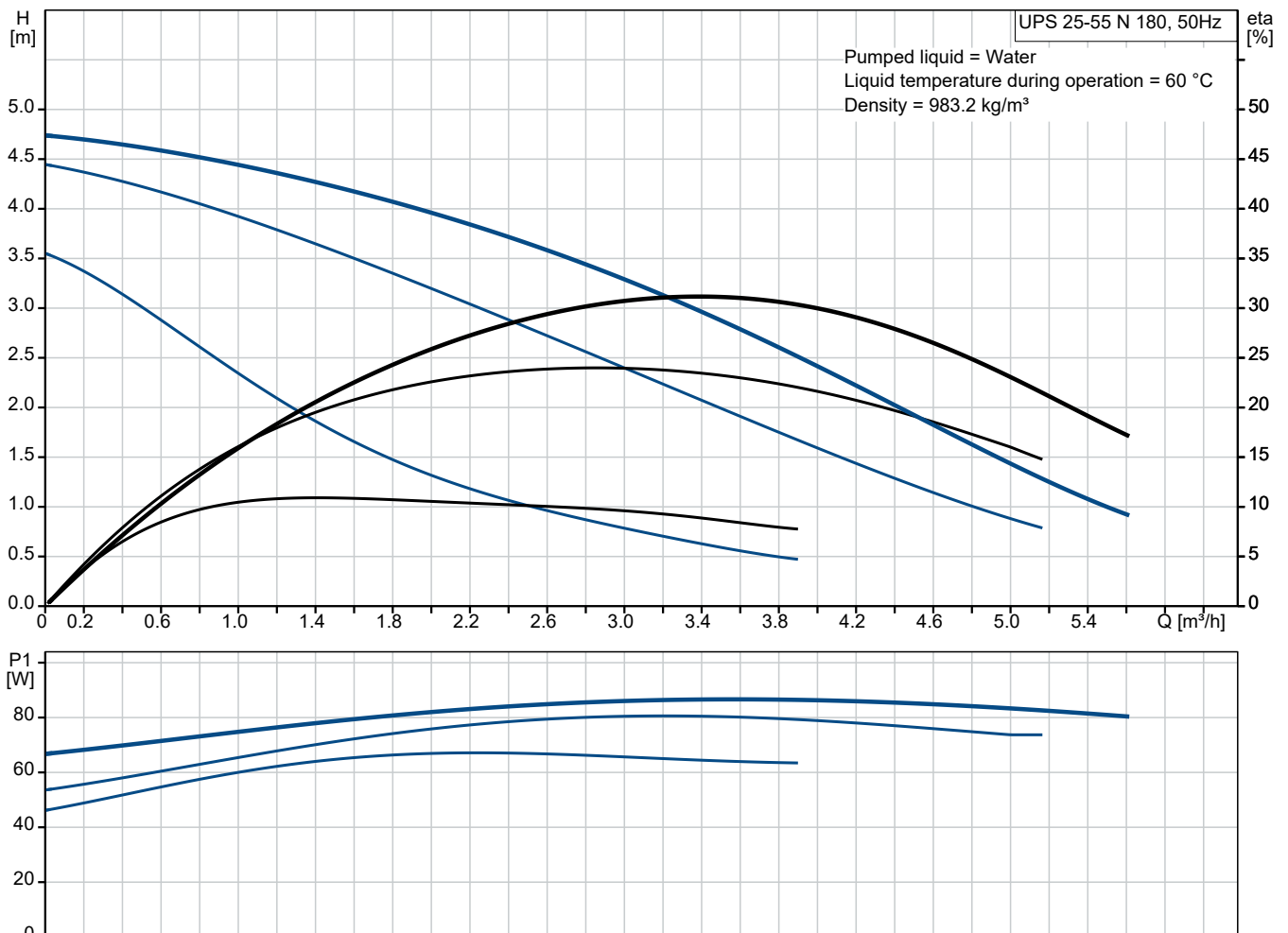


UPS 25-55 N 180

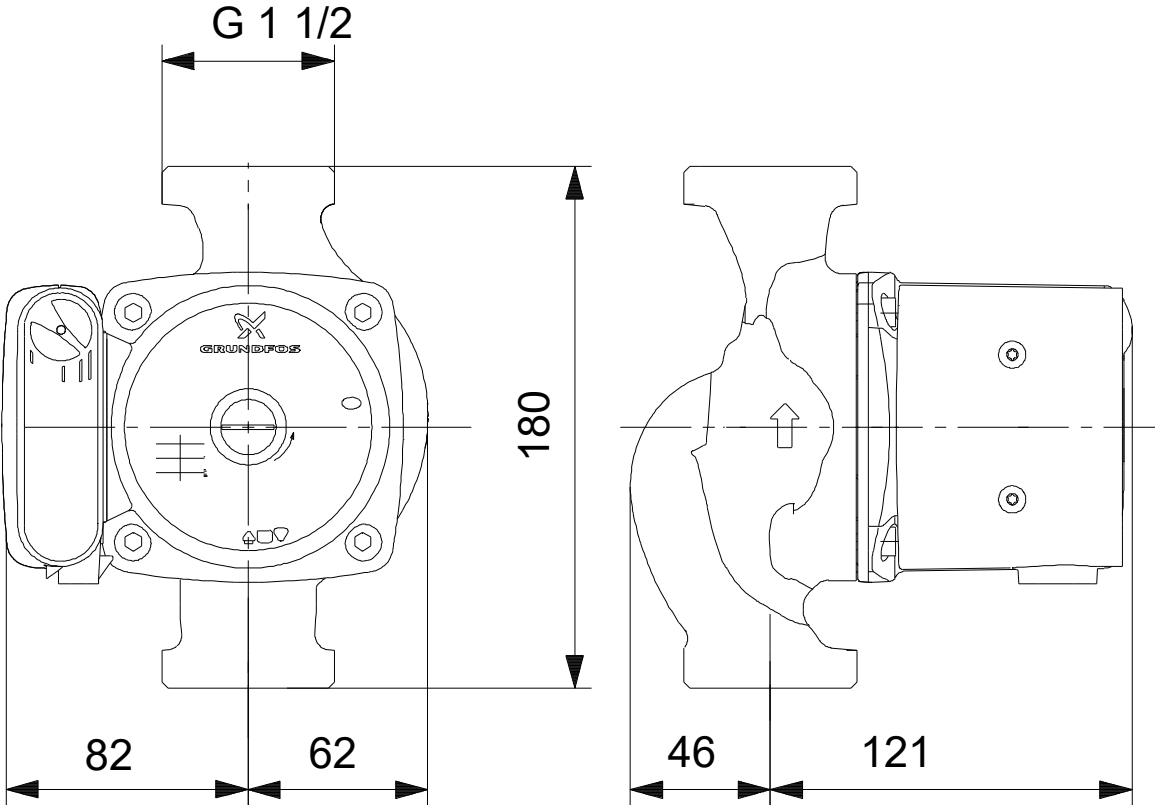
Grundfos UP, UPS N circulator pumps have a corrosion-free stainless-steel pump housing and are recommended for domestic hot-water recirculation and underfloor heating systems. UP, UPS N can be connected to an on/off time switch to limit pump operation to periods when hot water is usually required.

Note! Product picture may differ from actual product

Conditions of Service		Pump Data		Motor Data	
Liquid:	Water	Liquid temperature range:	-25 .. 110 °C	Max. power input:	85 W
Temperature:	60 °C	Maximum ambient temperature:	40 °C	Mains frequency:	50 Hz
Specific Gravity:	0.985	Product number:	On request	Enclosure class:	X2D
				Thermal protection:	internal



Submittal Data



Materials:
Pump housing: Stainless steel
Pump housing: AISI 304
Impeller: Composite

Qty. Description

1 **UPS 25-55 N 180**



Note! Product picture may differ from actual product

Product No.: On request

The pump is of the canned rotor type, i.e. pump and motor form an integral unit without shaft seal and with only two gaskets for sealing.

The bearings are lubricated by the pumped liquid.

The pump has 3-step speed selector.

The pump is characterized by:

- * Ceramic shaft and radial bearings.
- * Carbon axial bearing.
- * Stainless steel rotor can and bearing plate.
- * Corrosion-resistant impeller, Composite.
- * Stainless steel pump housing.

The motor is a 1-phase motor.

No additional motor protection is required.

Liquid:

Pumped liquid: Water
 Liquid temperature range: -25 .. 110 °C
 Selected liquid temperature: 60 °C
 Density: 983.2 kg/m³

Technical:

Rated flow: 3.37 m³/h
 Rated head: 2.989 m
 TF class: 110
 Approvals: CE, WEEE

Materials:

Pump housing: Stainless steel
 EN 1.4308
 AISI 304
 Impeller: Composite
 PES+30% GF

Installation:

Range of ambient temperature: 0 .. 40 °C
 Amb. max at 80 dgr C liquid: 40 °C
 Maximum operating pressure: 10 bar
 Type of connection: G
 Size of connection: 1 1/2 inch
 Pressure rating for connection: PN 10
 Port-to-port length: 180 mm

Electrical data:

Power input in speed 1: 65 W



Company name:

Created by:

Phone:

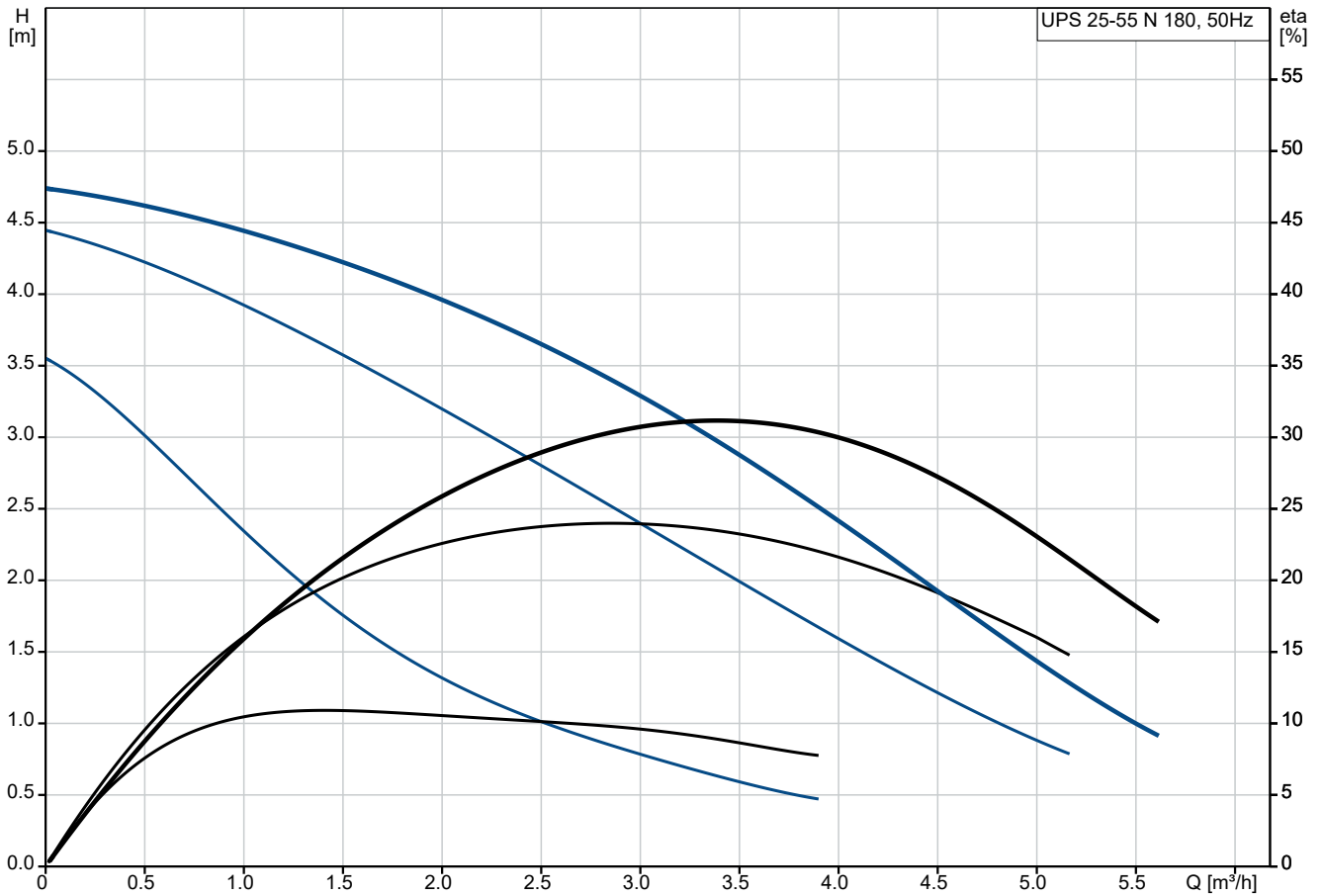
Date:

28/11/2023

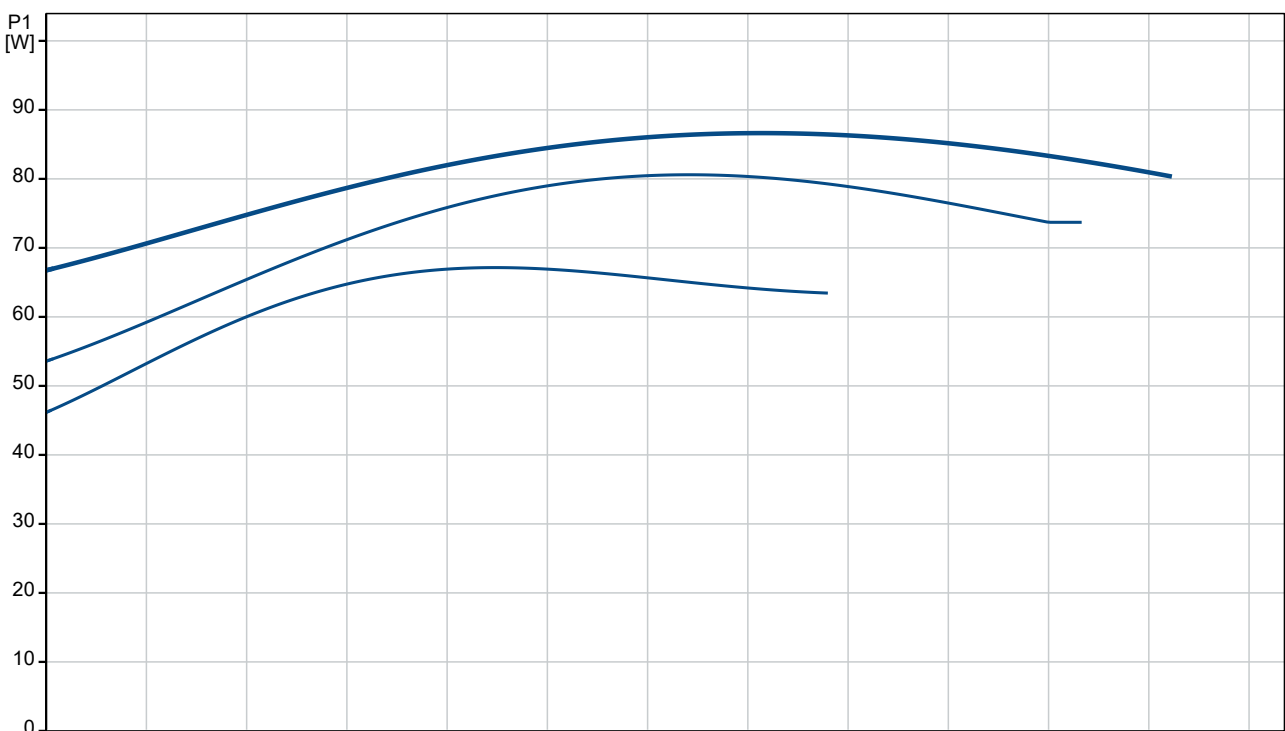
Qty. Description

1	Power input in speed 2:	80 W
	Max. power input:	85 W
	Mains frequency:	50 Hz
	Rated voltage:	1 x 230 V
	Current in speed 1:	0.3 A
	Current in speed 2:	0.36 A
	Current in speed 3:	0.38 A
	Capacitor size - run:	2.5 μ F
	Enclosure class (IEC 34-5):	X2D
	Insulation class (IEC 85):	F
	Built-in motor protection:	CONTACT
	Others:	
	Terminal box position:	9H
	Net weight:	4.6 kg
	Gross weight:	4.9 kg
	Shipping volume:	0.008 m ³
	Country of origin:	RS
	Custom tariff no.:	84137030

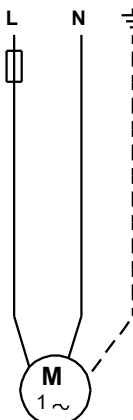
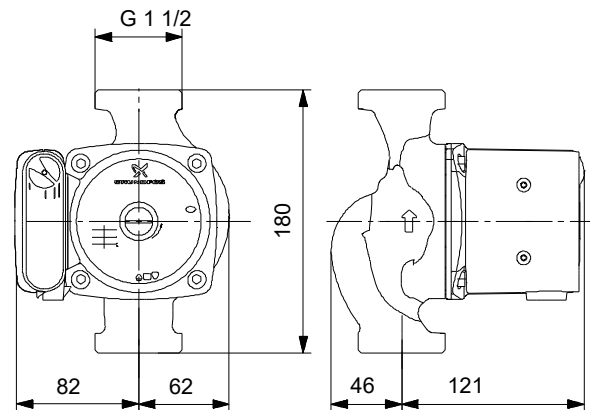
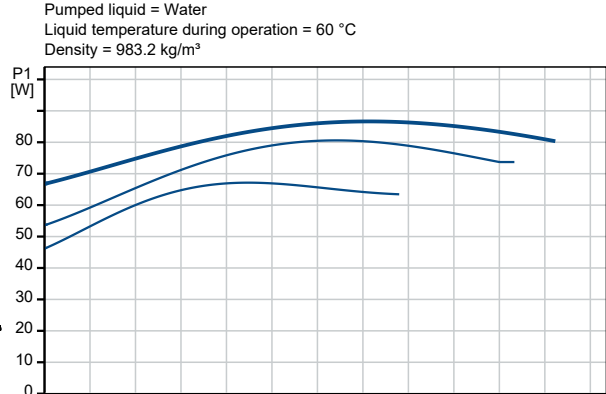
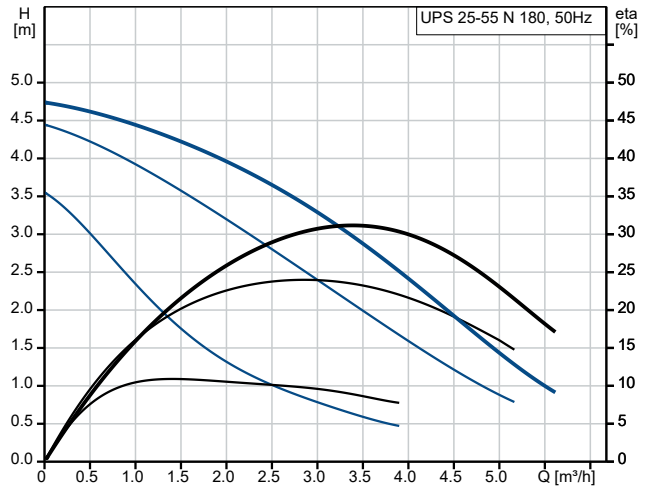
On request UPS 25-55 N 180 50 Hz



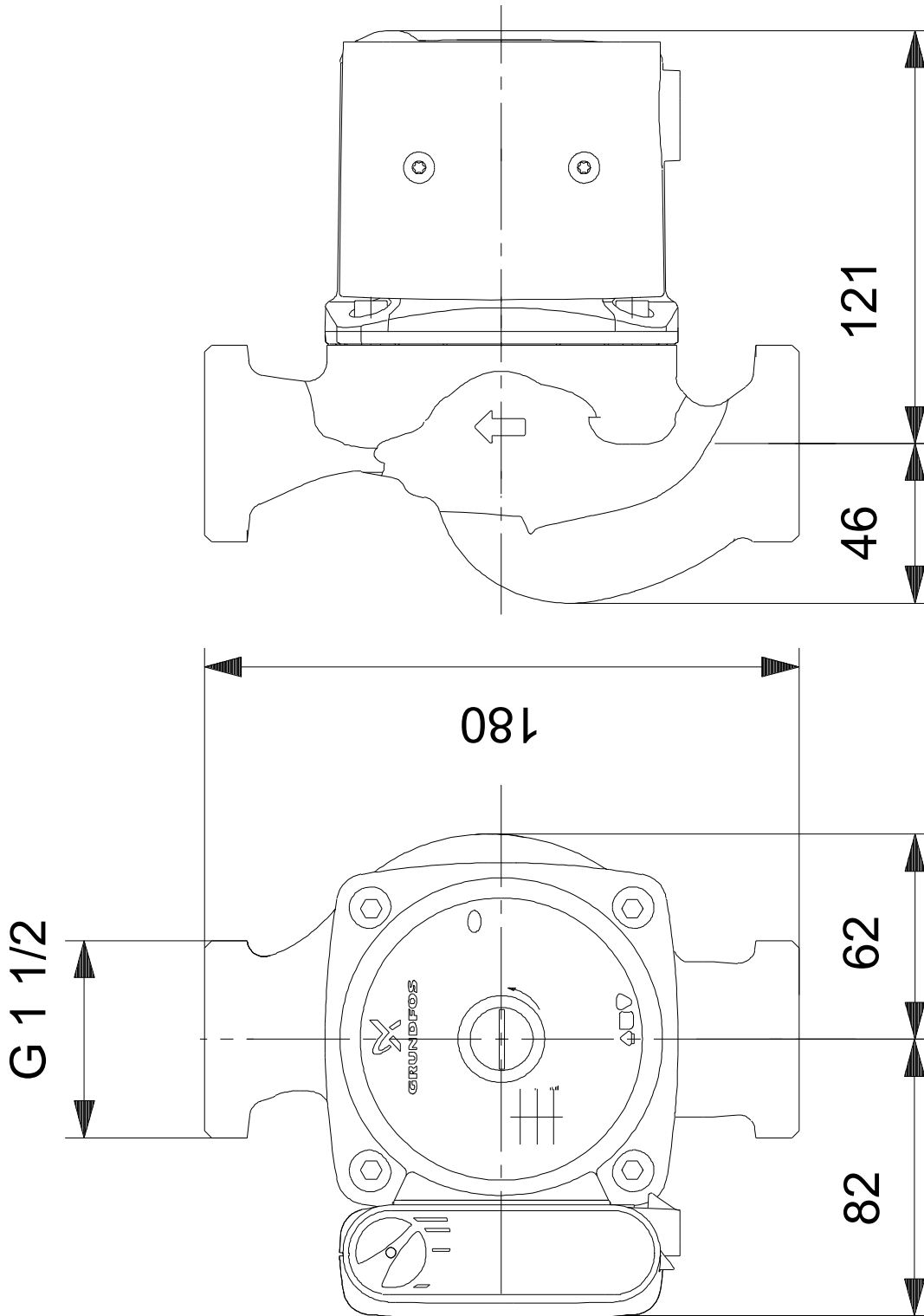
Pumped liquid = Water
 Liquid temperature during operation = 60 °C
 Density = 983.2 kg/m³



Description	Value
General information:	
Product name:	UPS 25-55 N 180
Product No:	On request
EAN number:	On request
Technical:	
Speed no:	3
Rated flow:	3.37 m ³ /h
Rated head:	2.989 m
Maximum head:	55 dm
TF class:	110
Approvals:	CE, WEEE
Materials:	
Pump housing:	Stainless steel
Pump housing:	EN 1.4308
Pump housing:	AISI 304
Impeller:	Composite
Impeller:	PES+30% GF
Installation:	
Range of ambient temperature:	0 .. 40 °C
Amb. max at 80 dgr C liquid:	40 °C
Maximum operating pressure:	10 bar
Type of connection:	G
Size of connection:	1 1/2 inch
Pressure rating for connection:	PN 10
Port-to-port length:	180 mm
Liquid:	
Pumped liquid:	Water
Liquid temperature range:	-25 .. 110 °C
Selected liquid temperature:	60 °C
Density:	983.2 kg/m ³
Electrical data:	
Power input in speed 1:	65 W
Power input in speed 2:	80 W
Max. power input:	85 W
Mains frequency:	50 Hz
Rated voltage:	1 x 230 V
Current in speed 1:	0.3 A
Current in speed 2:	0.36 A
Current in speed 3:	0.38 A
Capacitor size - run:	2.5 µF
Enclosure class (IEC 34-5):	X2D
Insulation class (IEC 85):	F
Built-in motor protection:	CONTACT
Thermal protec:	internal
Others:	
Terminal box position:	9H
Net weight:	4.6 kg
Gross weight:	4.9 kg
Shipping volume:	0.008 m ³
Sales region:	DACH
Country of origin:	RS
Custom tariff no.:	84137030

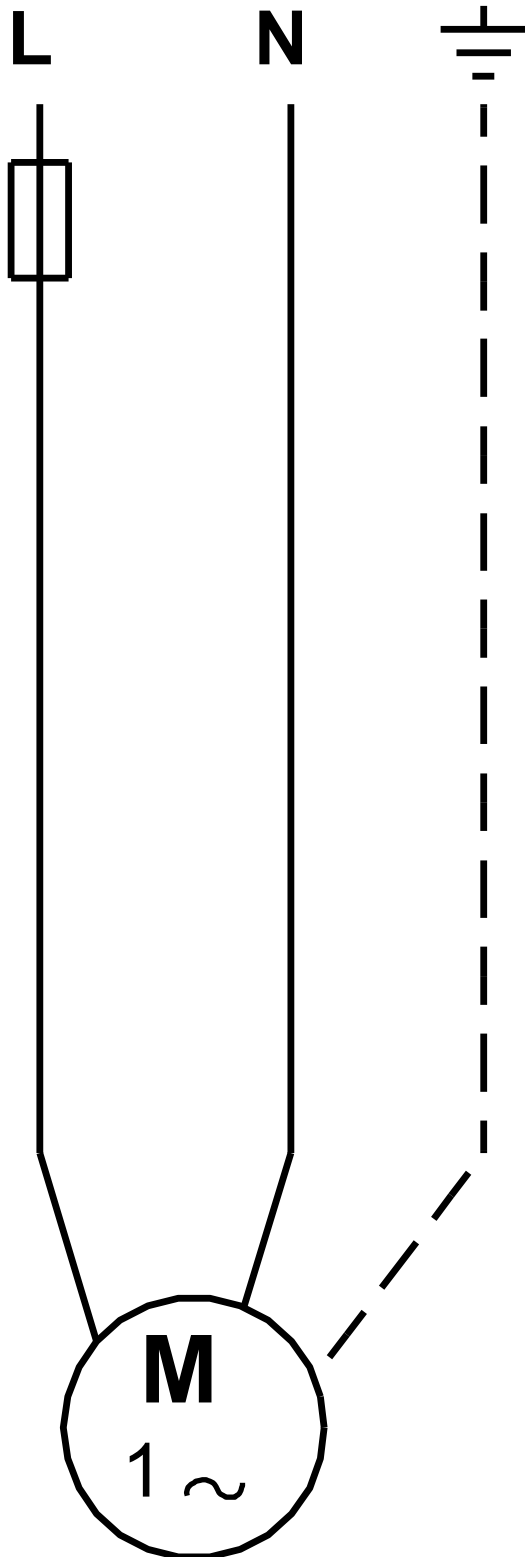


On request UPS 25-55 N 180 50 Hz



Note! All units are in [mm] unless others are stated.
Disclaimer: This simplified dimensional drawing does not show all details.

On request UPS 25-55 N 180 50 Hz



Note! All units are in [mm] unless others are stated.

