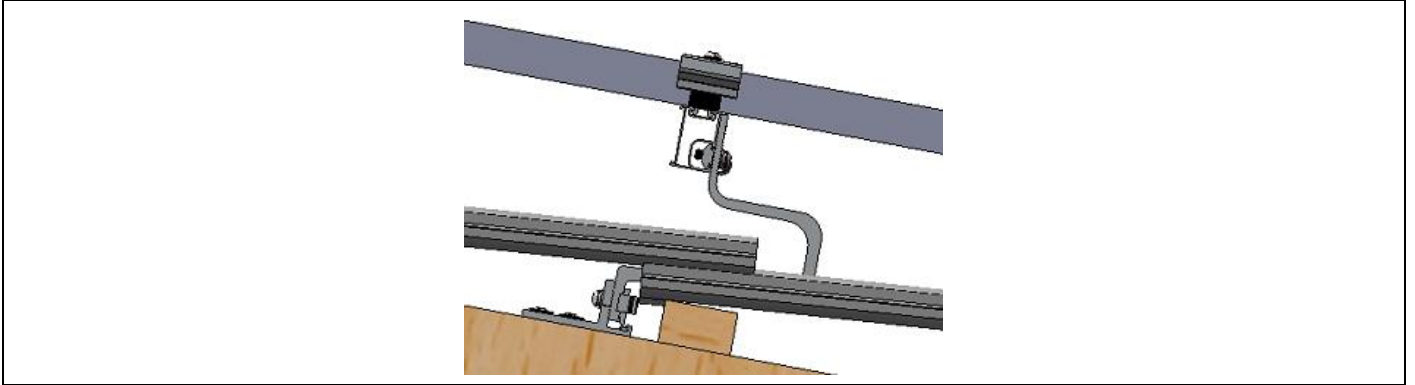


## Alu Adjustable Hook 02

### Assembly

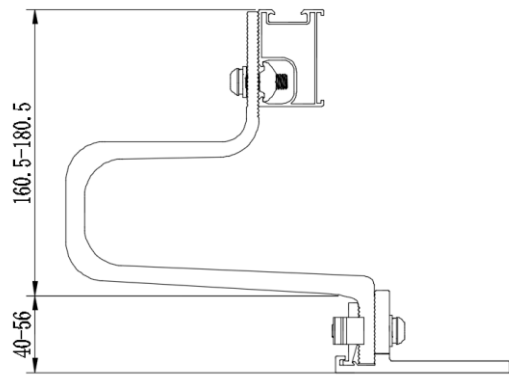


### Component



Alu Adjustable Hook 02  
Part No.: ER-I-DC/02A

### Technical Specification

Application	Tile Roof with Timber Purlin	
Screw Specification	2 x Wood screws M8*100, T40, Electro Galvanized ETA Certification	
Dimensions	L150mm*W90mm	
Packaging	16 units per carton	
Weight	0.748 Kg	
Material	Main parts: AL6005-T5 Fasteners: SUS 304	
Color	Silver (no less than 10 µm, excluding machined surfaces)	
Standard	EN1991   AS NZS1170.2   GB5079   JISC8955   ASCE 7-10	